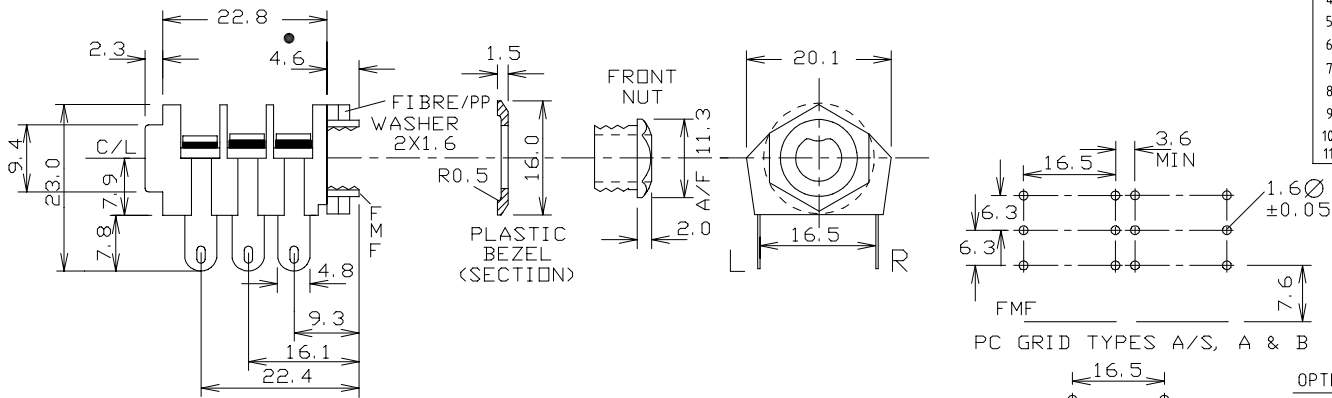
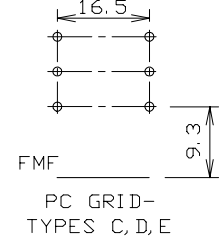


CLIFF

ISS.	AMEND	DATE
1	REDRAWN	11/1/91
2	REDRAWN	15/6/92
3	PC-C ADDED	4/12/92
4	DIMS CORRECT	18/8/94
5	T TYPE ADD	15/3/95
6	PCA/S REDRAWN	13/4/95
7	PCA SPIKY ADD	8/1/96
8	DIMS CORRECT	20/2/96
9	SEE MOD 0214	9/8/96
10	SEE MOD 0221	14/3/97
11	WASHER MTL	29/6/01



← BACK OF SOCKET		→ FRONT OF SOCKET		
<p>SPECIAL REVERSED CUT CONTACT</p> <p>12.5 TO C/L</p> <p>(12.5 = SPECIAL)</p> <p>PCA/S/REV</p>	<p>12.5 TO C/L</p> <p>1.3 WIDE</p> <p>(12.5 = SPECIAL)</p> <p>PC TYPE A/S</p>	<p>10.0 TO C/L</p> <p>1.3 WIDE</p> <p>PC TYPE A</p>	<p>1.3 WIDE</p> <p>4.1</p> <p>PC TYPE B</p>	<p>4.3</p> <p>1.3 WIDE</p> <p>PC TYPE C</p>
<p>10.0 TO C/L</p> <p>5.7</p> <p>PRODUCED BY CUTTING FROM A STD. SOLDER TAG TYPE</p> <p>PCA "SPIKY"</p>	<p>1.30 (x2)</p> <p>4.3 (x2)</p> <p>0.80</p> <p>0.85 (x2)</p> <p>R0.90</p> <p>1.4 (x2)</p> <p>16.8 ± 0.2</p> <p>PC-C 'KINKED'</p>	<p>15mm TO C/L</p> <p>1.3 WIDE</p> <p>4.0</p> <p>PC TYPE D</p>	<p>17.5 TO C/L</p> <p>1.3 WIDE</p> <p>4.0</p> <p>PC TYPE E</p>	



OPTION
S4P HAS COMBINED NUT & BEZEL MADE FROM PLASTIC MATT BLACK FINISH.

NOTE
S4T JACKS HAVE ALL CONTACTS PLATED WITH LOW LOSS FINISH.

NOTE
'REVERSED CONTACT' HAS LONG CONTACTS ON L AND SHORT ON R.

FOR KINKED LEG JACK SOCKETS, USE 1.5 ± 0.05Ø P.C.B. HOLE.

MAX PANEL THICKNESS 4.3mm

RoHS COMPLIANT
Tolerance
NO DEC. PLACE ±
1 DEC. PLACE ± 0.2
2 DEC. PLACE ±
DIA. HOLES ±
ANGLES ± 1/2°
UNLESS OTHERWISE STATED
WHERE USED F.R.
SCALE N.T.S.

DIMENSIONS IN MILLIMETERS UNLESS OTHERWISE STATED. WORK TO DIMENSIONS. DO NOT SCALE DRAWING. 3rd ANGLE PROJECTION. REMOVE BURRS. IF IN DOUBT ASK.

Cliff Electronic Components Limited
76 Holmethorpe Ave., Holmethorpe Ind Estate,
Redhill, Surrey, RH1 2PF, England.
Tel: 01737-771375 Fax: 01737-766012

MATERIAL	NYLON / NIAG / FIBRE / PP
FINISH	AS MOULDED / MICROFINISH
DRAWN	C.A.M.J.
APPD.	RWT

TITLE	S4 JACK SOCKET
DRWG. No.	CL128205
FORM:	A4DRWGH