

## SPECIFICATIONS

Electrical Ratings	50mA @ 50VDC
Electrical Life	100,000 cycles typical
Contact Resistance	< 50 mΩ initial
Actuation Force	100 +/- 50gF 130 +/- 50gF 160 +/- 50gF 260 +/- 50gF
Actuator Travel	.25 +/- .1mm
Dielectric Strength	250Vrms min
Insulation Resistance	> 100MΩ min
Operating Temperature	-40°C to 85°C
Storage Temperature	-40°C to 85°C



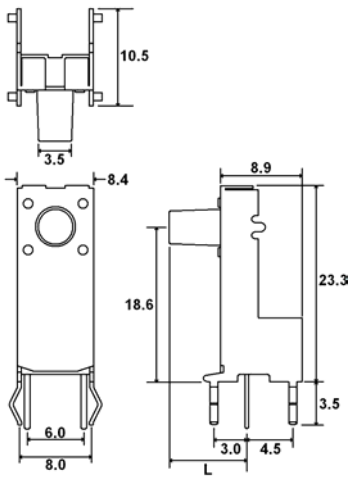
## MATERIALS ←RoHS COMPLIANT

Actuator	6/6 Nylon
Housing	6/6 Nylon
Cover	Steel, Tin Plated
Contacts	Phosphor Bronze, Silver Plated
Terminals	Brass, Silver Plated

## ORDERING INFORMATION

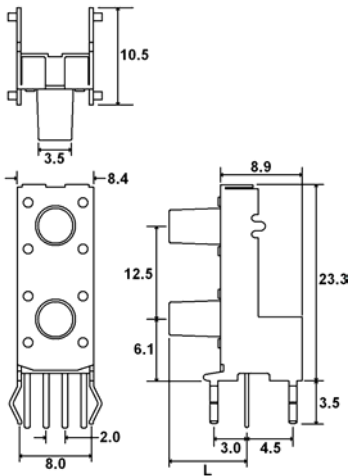
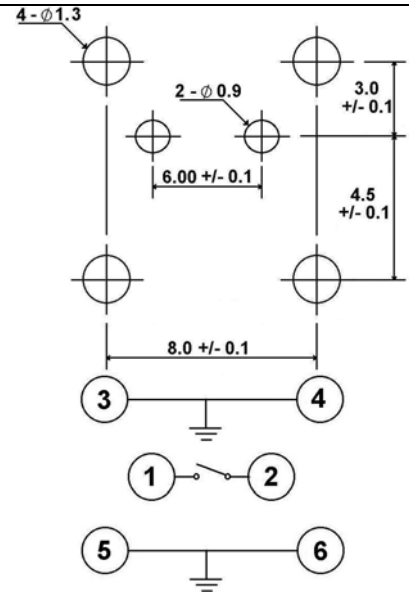
<b>1. Series:</b>	<b>CT1102VS2</b>	<b>9.85</b>	<b>F260</b>
CT1102VS1			
CT1102VS2			
<b>2. Actuator Length "L" (mm):</b>			
3.15			
3.85			
4.00			
5.85			
6.85			
8.35 ** Only available for CT1102VS1			
<b>3. Actuation Force:</b>			
F100 = 100gF			
F130 = 130gF			
F160 = 160gF			
F260 = 260gF			

## DIMENSIONS



Part Number	"L" (mm)
CT1102VS18.35	8.35

## SCHEMATIC & PC LAYOUT



Part Number	"L" (mm)
CT1102VS23.15	3.15
CT1102VS23.85	3.85
CT1102VS25.85	5.85
CT1102VS26.85	6.85
CT1102VS28.35	8.35

