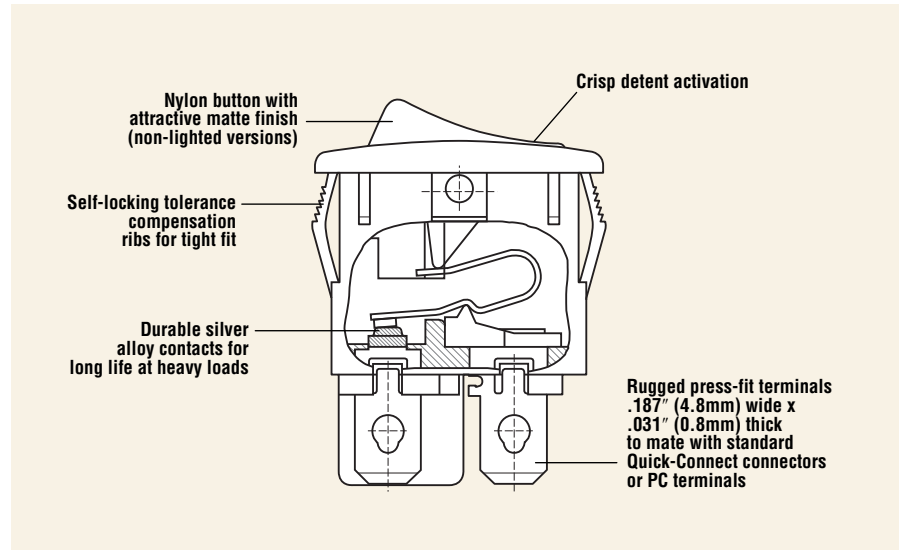


# MINIATURE ROCKER SWITCH

## LR Series

### Features

- Single-pole and double-pole configurations
- Lighted and non-lighted options
- Available in a wide variety of colors
- High current switching in a compact package
- Variety of terminal styles available
- Self-locking tabs to fit industry-standard panel cut-outs
- Mechanical life: min. 100,000 operations



### Electrical Ratings

Switch Series	EN61058 Rating	UL1054 Rating	Electrical Life at Rated Load	
			According to VDE (Min. Operations)	According to UL (Min. Operations)
LR	10(4)A, 250V~, T125/55	10A, 125VAC; 8A, 250VAC; 1/4HP, 125/250VAC	10,000	6,000

### Specifications

#### Electrical

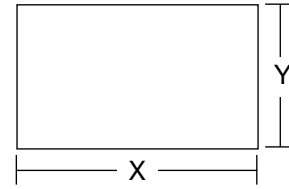
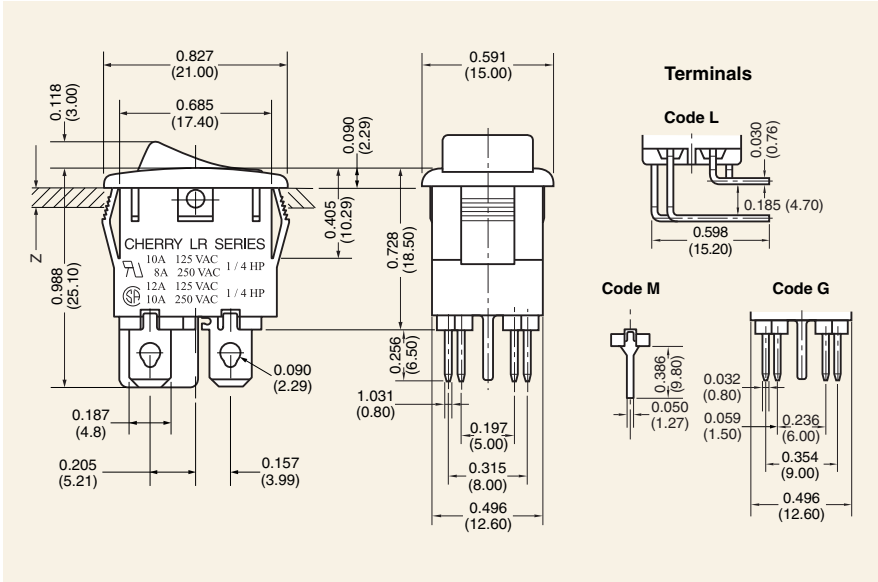
Dielectric Strength:	1000VAC for 1 minute
Insulation Resistance:	10 <sup>8</sup> ohms min at 500VDC
Initial Contact Resistance:	0.020 ohms max
Temperature Range:	-20°C to +65°C

#### Materials

Actuator (non-lighted):	Nylon 66 94V-2
Actuator (lighted):	Polycarbonate
Case:	Nylon 66 94V-2
Contacts:	Silver Alloy
Movable Arm:	Copper Alloy
Terminals:	Tin-Plated Copper Alloy



### Dimensions inches (mm)



Z = Panel Thickness

### Recommended Panel Cut-Out Dimensions inches (mm)

Dim. Z	Dim. X	Dim. Y
0.030 to 0.049 (0.75 to 1.25)	0.752 (19.10)	0.508 (12.90)
0.049 to 0.079 (1.25 to 2.00)	0.760 (19.30)	0.508 (12.90)
0.079 to 0.118 (2.00 to 3.00)	0.775 (19.69)	0.508 (12.90)

### Examples of Common Part Numbers and Descriptions inches (mm)

Part Number	Circuitry	Switch Function	Terminal Type	Actuator/Housing Color	Legend Marking
LRA22H2FBBNN		On - Off	0.187 (4.8) Quick-Connect	Black/Black	
LRA32H2FBBNN		On - Off	0.187 (4.8) Quick-Connect	Black/Black	
LRA22H2BBBNN		On - Off	0.187 (4.8) Quick-Connect	Black/Black	
LRA32H2BBBNN		On - Off	0.187 (4.8) Quick-Connect	Black/Black	
LRA22H2BBRLN		On - Off/Lighted	0.187 (4.8) Quick-Connect	Red/Black	
LRA32H2BBRLN		On - Off/Lighted	0.187 (4.8) Quick-Connect	Red/Black	

Boot #0015-0644

### Ordering Information

LR	A	2	2	H	2	F	B	B	N	N
<b>Series</b>	<b>Code</b> A	<b>Code</b> 2 3	<b>Code</b> 2	<b>Code</b> H L M G	<b>Code</b> 2	<b>Code</b> B D E F G	<b>Code</b> E B W Y C	<b>Code</b> E B G A R W Y S C	<b>Code</b> N L E F G H	<b>Code</b> N S
	<b>Contact Rating</b> 10A, 125VAC; 8A, 250VAC; 1/4HP, 125/250VAC (UL) 12A, 125VAC; 10A, 250VAC; 1/4HP, 125/250VAC (CSA) 10(4)A 250 V~, T125/55 (VDE)	<b>Circuitry</b> 2 Single-Pole 3 Double-Pole	<b>Switch Function</b> 2 On - Off	<b>Terminal Type inches (mm)</b> H 0.187 (4.8) QC L PC Thru-Hole Right Angle M PC Thru-Hole Straight G Flat Bezel; 0.240 (6.10) QC Terminal Spacing	<b>Actuator Type</b> 2 Curve	<b>Actuator Marking</b> B Blank D OFF NO E O I F O - G .	<b>Housing Color</b> E Charcoal Grey B Black W White Y Grey C Brown	<b>Actuator Color</b> E Charcoal Grey B Black G Green A Amber R Red W White Y Grey S Semi-transparent Nylon Red C Brown	<b>Lighted</b> N Non-Lighted L Lighted (Bulb 125VAC) E Lighted (Bulb 250VAC) F Lighted 5VDC Incandescent G Lighted 6VDC Incandescent H Lighted 12VDC Incandescent	<b>Splashproof</b> N No Rocker Boot S Rocker Boot