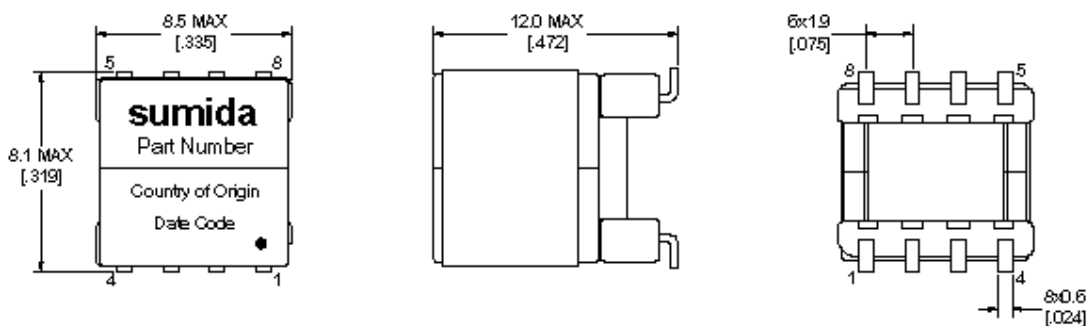
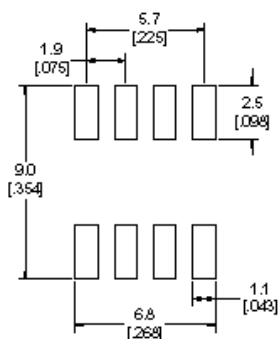
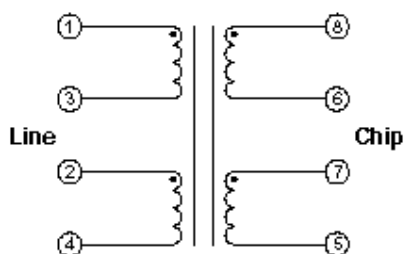


Type: CEP711
◆ Product Description

- 8.5×8.1mm Max. (L×W),12.0mm Max. height.
- In addition to the typical versions of parameters shown here, custom parameters are available to meet your exact requirement.


◆ Feature

- VDSL line transformer.
- Ideally used in VDSL2 CO equipments.
- Approved by Broadcom and Conexant.
- RoHS Compliance

◆ Dimensions (mm)

◆ Land Pattern (mm)

◆ Schematics (Bottom)

◆ Specification

Part No.	Inductance (μ H)	Turns ratio	THD (dB) (TYP.)	Insulation	Application
J10200	1090 \pm 10%	0.90:1	-75dB(25K, 2.0V)	basic	VDSL2 CO
J10208	420 \pm 10%	1.2:1	-80dB(30K, 1.4V)	basic	VDSL2 CO