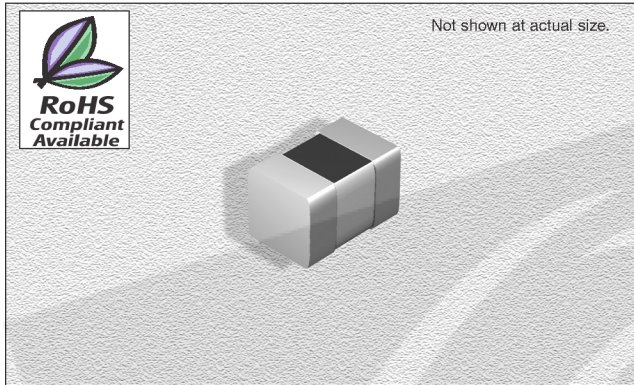


CTLL1608FH Series

From 1.0 nH to 220 nH

ENGINEERING KIT #6F



CHARACTERISTICS

Description: Ceramic core, multi-layer chip inductor for high frequency applications

Applications: Portable telephones, PMS, pagers and miscellaneous high frequency circuits

Operating Temperature: -40°C to +100°C

Inductance Tolerance: ±0.3nH, ±5%, ±10%

Testing: Inductance and Q are tested on an HP4286A at specified frequency

Packaging: Tape & Reel

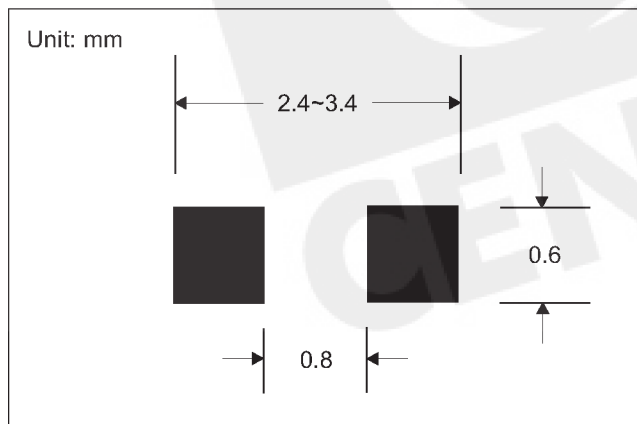
Marking: Reels marked with inductance code and tolerance

Miscellaneous: RoHS Compliant available.

Additional Information: Additional electrical & physical information available upon request

Samples available. See website for ordering information.

PAD LAYOUT



SPECIFICATIONS

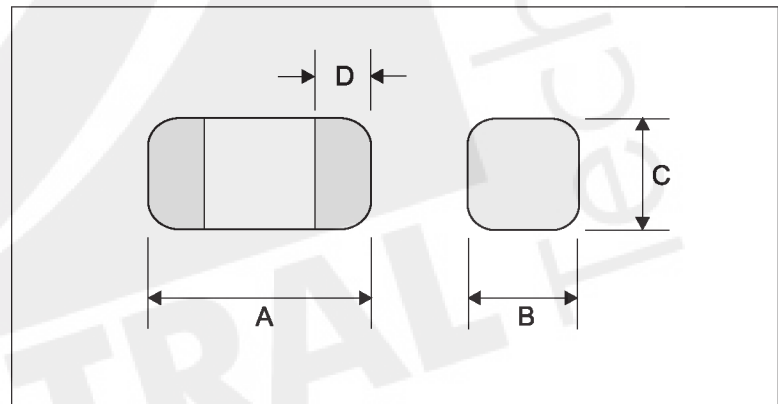
Please specify tolerance code when ordering.
 CTLL1608-FH3N3 ← S = ±0.3nH, J = ±5%, K = ±10%
 * S, K only ** J, K only

CTLL1608F Please specify "F" for RoHS compliant

Part Number	L (nH)	Q Min. at (MHz)		Q Typ. at (MHz)			SRF Typ. (MHz)	DCR Max (Ω)	IDC Max. (mA)	
		50	100	50	100	300				500
CTLL1608_-FH1N0S	1.0	8		12			60	10000	0.10	500
CTLL1608_-FH1N2S	1.2	8		13			60	10000	0.10	500
CTLL1608_-FH1N5S	1.5	8		13			57	8000	0.10	500
CTLL1608_-FH1N8S	1.8	8		13			51	8000	0.10	500
CTLL1608_-FH2N2S	2.2	8		13			46	7200	0.10	500
CTLL1608_-FH2N7S	2.7	10		13			46	6200	0.10	500
CTLL1608_-FH3N3*	3.3	10		13			47	5200	0.12	500
CTLL1608_-FH3N9*	3.9	10		13			47	5000	0.14	500
CTLL1608_-FH4N7*	4.7	10		13			41	4750	0.16	500
CTLL1608_-FH5N6*	5.6	10		13			41	4100	0.18	500
CTLL1608_-FH6N8**	6.8	10		13			44	3750	0.22	500
CTLL1608_-FH8N2**	8.2	10		13			44	3300	0.24	500
CTLL1608_-FH10N**	10	12		13			45	3000	0.26	300
CTLL1608_-FH12N**	12	12		15			46	2600	0.28	300
CTLL1608_-FH15N**	15	12		15			48	2500	0.32	300
CTLL1608_-FH18N**	18	12		15			48	2400	0.35	300
CTLL1608_-FH22N**	22	12		17			45	2000	0.40	300
CTLL1608_-FH27N**	27	12		17			43	1900	0.45	300
CTLL1608_-FH33N**	33	12		18			39	1600	0.55	300
CTLL1608_-FH39N**	39	12		18	37			1400	0.60	300
CTLL1608_-FH47N**	47	12		18	35			1300	0.70	300
CTLL1608_-FH56N**	56	12		18	32			1100	0.75	300
CTLL1608_-FH62N**	62	12		18	34			1050	0.85	300
CTLL1608_-FH68N**	68	12		18	34			1050	0.85	300
CTLL1608_-FH82N**	82	12		18	32			900	1.0	300
CTLL1608_-FHR10**	100	12		18	20			770	1.2	300
CTLL1608_-FHR12**	120	8		14	20			850	2.3	250
CTLL1608_-FHR15**	150	8		15	16			550	2.4	250
CTLL1608_-FHR18**	180	8		15	16			520	2.7	250
CTLL1608_-FHR22**	220	8		15	16			500	3.0	250

PHYSICAL DIMENSIONS

Size	A	B	C	D
mm	1.6±0.15	0.8±0.15	0.8±0.15	0.3±0.2
inches	0.06±0.006	0.03±0.006	0.03±0.006	0.01±0.008



05.14.07