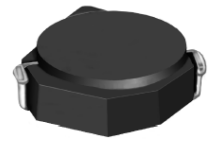
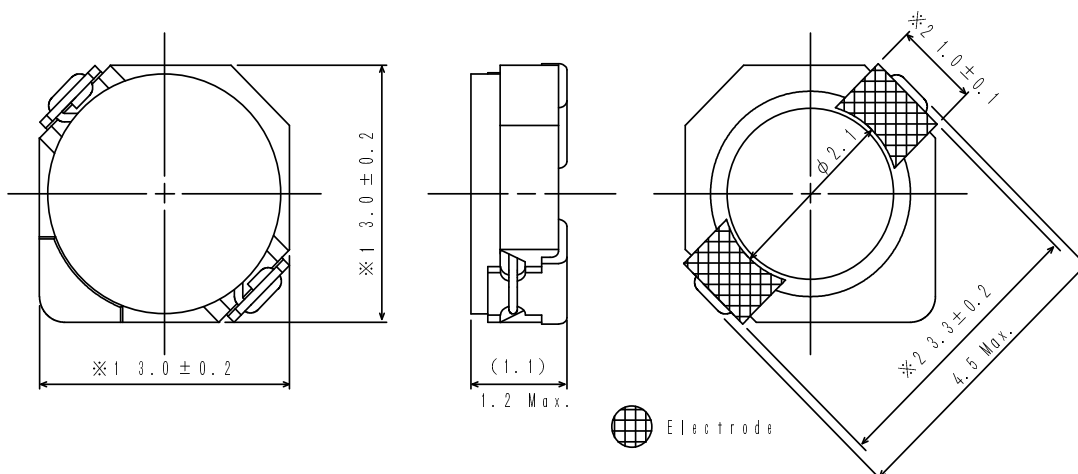


**Type: CDRH2D11/HP**
**◆ Product Description**

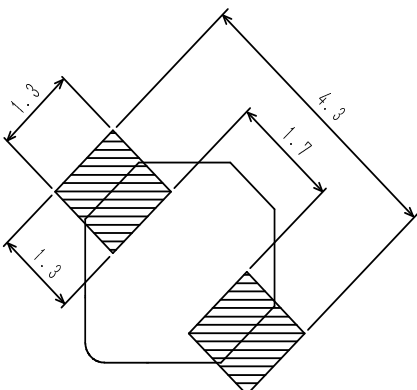
- 3.2×3.2mm Max.(L×W), 1.2mm Max. Height.
- Inductance range: 1.5~10 μ H.
- Rated current range: 0.52~1.35A.
- Custom design is available.


**◆ Feature**

- Magnetically shielded construction.
- Storage temperature range: -40°C ~ +105°C.
- Operating temperature range: -40°C ~ +105°C (Including coil's self temperature rise).
- Ideally used in Mobilephone, PDA, MP3, DSC/DVC, Portable DVD, etc as DC-DC converter.
- RoHS compliance and Halogen Free.

**◆ Dimensions (mm)**


※ 1 Not including terminal dimension

**◆ Land Pattern (mm)**


Please refer to the sales offices on our website for a representative near you

[www.sumida.com](http://www.sumida.com)

**Type: CDRH2D11/HP**
**◆ Specification**

Part Name ※	Stamp	Inductance ( $\mu$ H) 100kHz/1V	D.C.R. (m $\Omega$ ) Max.(Typ.) (at 20°C)	Saturation Current (A) ※1		Temperature Rise Current (A) ※2
				at 20°C	at 100°C	
CDRH2D11/HPNP-1R5N□	A	1.5 $\pm$ 30%	80(64)	1.35	1.0	1.60
CDRH2D11/HPNP-2R2N□	C	2.2 $\pm$ 30%	120(96)	1.10	0.72	1.30
CDRH2D11/HPNP-3R3N□	E	3.3 $\pm$ 30%	173(138)	0.90	0.65	0.90
CDRH2D11/HPNP-4R7N□	G	4.7 $\pm$ 30%	238(190)	0.75	0.52	0.85
CDRH2D11/HPNP-6R8N□	I	6.8 $\pm$ 30%	371(297)	0.63	0.45	0.65
CDRH2D11/HPNP-100N□	K	10.0 $\pm$ 30%	559(447)	0.52	0.37	0.52

**※ Description of part name**

CDRH2D11/HPNP-1R5N□

- B Box
- C Carrier Tape

※1.Saturation current: The DC current at which the inductance decreases to 65% of it's nominal value.

 ※2.Temperature rise current: The DC current at which the temperature rise is  $\Delta t=40^{\circ}\text{C}$ .( $T_a=20^{\circ}\text{C}$ ).