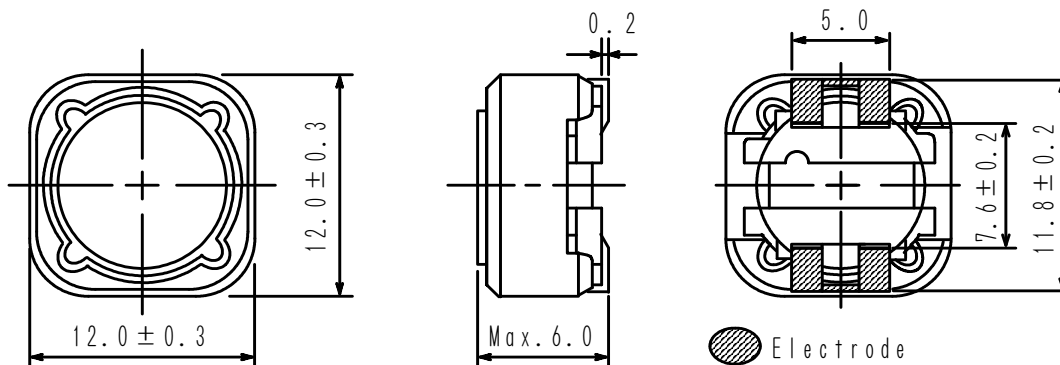
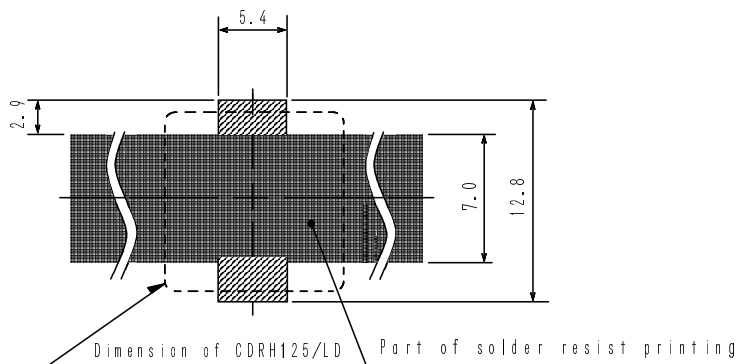


**Type: CDRH125, CDRH125/LD**
**◆ Product Description**

- 12.3×12.3mm Max.(L×W), 6.0mm Max. Height.
- Inductance Range: 1.3 μH~1.0mH(CDRH125); 7.5 μH~1.0mH(CDRH125/LD);
- Rated current range: 0.4~8.0A(CDRH125); 0.46~5.6A(CDRH125/LD);
- Custom design is available.


**◆ Feature**

- Magnetically shielded construction.
- Ideally used in Notebook PC, LCD TV,DVD, Game machine, STB ,Projector etc as DC-DC Converter inductors.
- RoHS Compliance.

**◆ Dimensions (mm)**

**◆ Land Pattern (mm)**


**Type: CDRH125, CDRH125/LD**
**◆ Specification (CDRH125)**

Part Name ※	Stamp	Inductance ( $\mu$ H)	D.C.R.( $\Omega$ ) Max.(Typ.) (20°C)	Rated Current (A)※1	Measuring frequency
CDRH125NP-1R3N□	1R3	1.3 $\begin{matrix} +30\% \\ -20\% \end{matrix}$	0.012(0.009)	8.00	7.96MHz
CDRH125NP-2R1N□	2R1	2.1 $\begin{matrix} +30\% \\ -20\% \end{matrix}$	0.014(0.011)	7.00	7.96MHz
CDRH125NP-3R1N□	3R1	3.1 $\begin{matrix} +30\% \\ -20\% \end{matrix}$	0.017(0.013)	6.00	7.96MHz
CDRH125NP-4R4N□	4R4	4.4 $\begin{matrix} +30\% \\ -20\% \end{matrix}$	0.020(0.016)	5.00	7.96MHz
CDRH125NP-5R8N□	5R8	5.8 $\begin{matrix} +30\% \\ -20\% \end{matrix}$	0.021(0.017)	4.40	7.96MHz
CDRH125NP-7R5N□	7R5	7.5 $\begin{matrix} +30\% \\ -20\% \end{matrix}$	0.024(0.019)	4.20	7.96MHz
CDRH125NP-100M□	100	10 $\pm$ 20%	0.025(0.019)	4.00	1KHz
CDRH125NP-120M□	120	12 $\pm$ 20%	0.027(0.021)	3.50	1KHz
CDRH125NP-150M□	150	15 $\pm$ 20%	0.030(0.023)	3.30	1KHz
CDRH125NP-180M□	180	18 $\pm$ 20%	0.034(0.026)	3.00	1KHz
CDRH125NP-220M□	220	22 $\pm$ 20%	0.036(0.028)	2.80	1KHz
CDRH125NP-270M□	270	27 $\pm$ 20%	0.051(0.039)	2.30	1KHz
CDRH125NP-330M□	330	33 $\pm$ 20%	0.057(0.044)	2.10	1KHz
CDRH125NP-390M□	390	39 $\pm$ 20%	0.068(0.052)	2.00	1KHz
CDRH125NP-470M□	470	47 $\pm$ 20%	0.075(0.058)	1.80	1KHz
CDRH125NP-560M□	560	56 $\pm$ 20%	0.11(0.084)	1.70	1KHz
CDRH125NP-680M□	680	68 $\pm$ 20%	0.12(0.093)	1.50	1KHz
CDRH125NP-820M□	820	82 $\pm$ 20%	0.14(0.11)	1.40	1KHz
CDRH125NP-101M□	101	100 $\pm$ 20%	0.16(0.12)	1.30	1KHz
CDRH125NP-121M□	121	120 $\pm$ 20%	0.17(0.13)	1.10	1KHz
CDRH125NP-151M□	151	150 $\pm$ 20%	0.23(0.18)	1.00	1KHz
CDRH125NP-181M□	181	180 $\pm$ 20%	0.29(0.22)	0.90	1KHz
CDRH125NP-221M□	221	220 $\pm$ 20%	0.40(0.31)	0.80	1KHz
CDRH125NP-271M□	271	270 $\pm$ 20%	0.46(0.35)	0.75	1KHz

Please refer to the sales offices on our website for a representative near you

[www.sumida.com](http://www.sumida.com)

**Type: CDRH125, CDRH125/LD**

Part Name ※	Stamp	Inductance ( $\mu$ H)	D.C.R.( $\Omega$ ) Max.(Typ.) (at 20°C)	Rated Current (A)※1	Measuring frequency
CDRH125NP-331M□	331	330 $\pm$ 20%	0.51(0.39)	0.68	1KHz
CDRH125NP-391M□	391	390 $\pm$ 20%	0.69(0.53)	0.65	1KHz
CDRH125NP-471M□	471	470 $\pm$ 20%	0.77(0.59)	0.58	1KHz
CDRH125NP-561M□	561	560 $\pm$ 20%	0.86(0.66)	0.54	1KHz
CDRH125NP-681M□	681	680 $\pm$ 20%	1.20(0.92)	0.48	1KHz
CDRH125NP-821M□	821	820 $\pm$ 20%	1.34(1.03)	0.43	1KHz
CDRH125NP-102M□	102	1000 $\pm$ 20%	1.53(1.18)	0.40	1KHz

**◆ Specification (CDRH125/LD)**

Part No. ※	Stamp	Inductance ( $\mu$ H)※1	D.C.R ( $\Omega$ ) [Typ.]	D.C.R ( $\Omega$ ) [Max.]	Rated current (A)※1	Measuring frequency
CDRH125/LDNP-7R5N□	7R5	7.5 $\pm$ 30%	14.7m $\Omega$	19.0m $\Omega$	5.60	7.96MHz
CDRH125/LDNP-100N□	100	10 $\pm$ 30%	22.5m $\Omega$	29.0m $\Omega$	4.60	100KHz
CDRH125/LDNP-120M□	120	12 $\pm$ 20%	24.6m $\Omega$	32.0m $\Omega$	4.20	100KHz
CDRH125/LDNP-150M□	150	15 $\pm$ 20%	27.1m $\Omega$	35.0m $\Omega$	4.00	100KHz
CDRH125/LDNP-180M□	180	18 $\pm$ 20%	31.8m $\Omega$	41.0m $\Omega$	3.56	100KHz
CDRH125/LDNP-220M□	220	22 $\pm$ 20%	33.9m $\Omega$	44.0m $\Omega$	3.28	100KHz
CDRH125/LDNP-270M□	270	27 $\pm$ 20%	41.5m $\Omega$	52.0m $\Omega$	3.00	100KHz
CDRH125/LDNP-330M□	330	33 $\pm$ 20%	50.0m $\Omega$	65.0m $\Omega$	2.60	100KHz
CDRH125/LDNP-390M□	390	39 $\pm$ 20%	60.0m $\Omega$	75.0m $\Omega$	2.40	100KHz
CDRH125/LDNP-470M□	470	47 $\pm$ 20%	72.5m $\Omega$	95.0m $\Omega$	2.30	100KHz
CDRH125/LDNP-560M□	560	56 $\pm$ 20%	95.4m $\Omega$	125m $\Omega$	2.00	100KHz
CDRH125/LDNP-680M□	680	68 $\pm$ 20%	0.110	0.140	1.85	100KHz
CDRH125/LDNP-820M□	820	82 $\pm$ 20%	0.121	0.157	1.70	100KHz
CDRH125/LDNP-101M□	101	100 $\pm$ 20%	0.144	0.187	1.60	100KHz
CDRH125/LDNP-121M□	121	120 $\pm$ 20%	0.175	0.228	1.37	100KHz
CDRH125/LDNP-151M□	151	150 $\pm$ 20%	0.218	0.280	1.26	100KHz

**Type: CDRH125, CDRH125/LD**

Part No. ※	Stamp	Inductance ( $\mu$ H)	D.C.R ( $\Omega$ ) [Typ.]	D.C.R ( $\Omega$ ) [Max.]	Rated current (A)※1	Measuring frequency
CDRH125/LDNP-181M□	181	180 $\pm$ 20%	0.259	0.335	1.14	100KHz
CDRH125/LDNP-221M□	221	220 $\pm$ 20%	0.303	0.395	1.08	100KHz
CDRH125/LDNP-271M□	271	270 $\pm$ 20%	0.403	0.520	0.94	100KHz
CDRH125/LDNP-331M□	331	330 $\pm$ 20%	0.547	0.710	0.85	100KHz
CDRH125/LDNP-391M□	391	390 $\pm$ 20%	0.614	0.800	0.77	100KHz
CDRH125/LDNP-471M□	471	470 $\pm$ 20%	0.711	0.920	0.72	100KHz
CDRH125/LDNP-561M□	561	560 $\pm$ 20%	0.956	1.20	0.67	100KHz
CDRH125/LDNP-681M□	681	680 $\pm$ 20%	1.08	1.35	0.57	100KHz
CDRH125/LDNP-821M□	821	820 $\pm$ 20%	1.17	1.40	0.51	100KHz
CDRH125/LDNP-102M□	102	1000 $\pm$ 20%	1.62	1.95	0.46	100KHz

**※ Description of part name**

CDRH125NP-100M□

- B Box
- C Carrier Tape

※1. Rated current: The DC current at which the inductance decreases to 75% of its nominal value or when  $\Delta t=40^{\circ}\text{C}$ , whichever is lower ( $T_a=20^{\circ}\text{C}$ ).