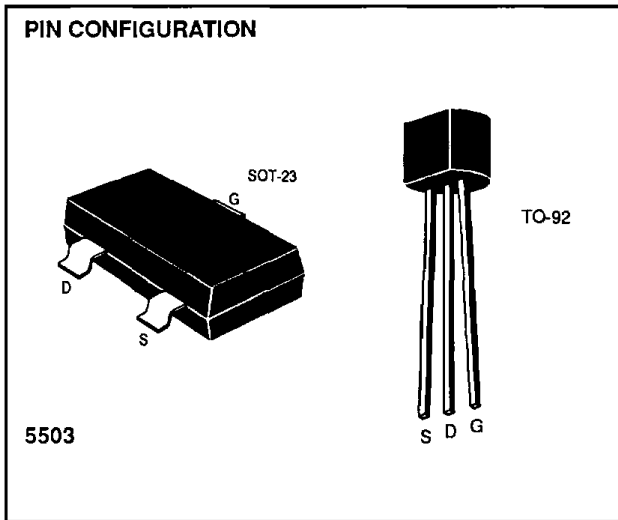


**2N5460 – 2N5465 / SST5460 – SST5465**



**ABSOLUTE MAXIMUM RATINGS**  
( $T_A = 25^\circ\text{C}$  unless otherwise specified)

Drain-Gate or Source-Gate Voltage	
2N5460 - 2N5462	-40V
2N5463 - 2N5465	-60V
Gate Current	10mA
Storage Temperature Range	-65°C to +150°C
Operating Temperature Range	-55°C to +135°C
Lead Temperature (Soldering, 10sec)	+300°C
Power Dissipation	310mW
Derate above 25°C	2.82mW/°C

**NOTE:** Stresses above those listed under "Absolute Maximum Ratings" may cause permanent damage to the device. These are stress ratings only and functional operation of the device at these or any other conditions above those indicated in the operational sections of the specifications is not implied. Exposure to absolute maximum rating conditions for extended periods may affect device reliability.

**ORDERING INFORMATION**

Part	Package	Temperature Range
2N5460-65	Plastic TO-92	-55°C to +135°C
SST5461-65	Plastic SOT-23	-55°C to +135°C
X2N5461-65	Sorted Chips in Carriers	-55°C to +135°C

PRODUCT MARKING (SOT-23)			
P / N	MARK	P / N	MARK
SST5460	SO0	SST5463	SO3
SST5461	SO1	SST5464	SO4
SST5462	SO2	SST5465	SO5

**ELECTRICAL CHARACTERISTICS** ( $T_A = 25^\circ\text{C}$  unless otherwise specified)

SYMBOL	PARAMETER	MIN	MAX	UNITS	TEST CONDITIONS		
BV <sub>GSS</sub>	Gate-Source Breakdown Voltage	5460, 5461, 5462	40		V	I <sub>G</sub> = 10μA, V <sub>DS</sub> = 0	
		5463, 5464, 5465	60				
V <sub>GS(off)</sub>	Gate-Source Cutoff Voltage	5460, 5463	0.75	6.0	V	V <sub>DS</sub> = -15V, I <sub>D</sub> = 1.0μA	
		5461, 5464	1.0	7.5			
		5462, 5465	1.8	9.0			
I <sub>GSS</sub>	Gate Reverse Current	5460, 5461, 5462		5.0	nA	V <sub>DS</sub> = 0	
		5463, 5464, 5465		5.0			
		5460, 5461, 5462		1.0	μA		T <sub>A</sub> = 100°C
		5463, 5464, 5465		1.0			
I <sub>DSS</sub>	Zero-Gate Voltage Drain Current	5460, 5463	-1.0	-5.0	mA	V <sub>DS</sub> = -15V	
		5461, 5464	-2.0	-9.0			
		5462, 5465	-4.0	-16			
V <sub>GS</sub>	Gate-Source Voltage	5460, 5463	0.5	4.0	V	I <sub>D</sub> = 0.1mA	
		5461, 5464	0.8	4.5			
		5462, 5465	1.5	6.0			
						I <sub>D</sub> = -0.2mA	
						I <sub>D</sub> = -0.4mA	

# 2N5460 – 2N5465 / SST5460 – SST5465



## ELECTRICAL CHARACTERISTICS (Continued) (T<sub>A</sub> = 25°C unless otherwise specified)

SYMBOL	PARAMETER	MIN	MAX	UNITS	TEST CONDITIONS		
g <sub>fs</sub>	Forward Transadmittance	2N5460, 2N5463	1000	4000	μS	V <sub>DS</sub> = 15V V <sub>GS</sub> = 0V	f = 1.0kHz
		2N5461, 2N5464	1500	5000			
		2N5462, 2N5465	2000	6000			
g <sub>os</sub>	Output Admittance		75	μS	V <sub>DS</sub> = 15V V <sub>GS</sub> = 0V	f = 1mHz	
C <sub>iss</sub>	Input Capacitance (Note 1)		7	pF			
C <sub>rss</sub>	Reverse Transfer Capacitance (Note 1)		2.0	pF			
NF	Common-Source Noise Figure (Note 1)		2.5	dB			
$\bar{e}_n$	Equivalent Short-Circuit Input Noise Voltage (Note 1)		115	$\frac{nV}{\sqrt{Hz}}$			f = 100Hz BW = 1.0Hz

NOTE 1: For design reference only, not 100% tested.