

## TWO-CELL, THREE-CELL, AND FOUR-CELL LITHIUM-ION OR LITHIUM-POLYMER BATTERY PROTECTION AFE

### FEATURES

- 2-, 3-, or 4-Cell Series Protection Control
- Can Directly Interface With the bq2084 Gas Gauges
- Provides Individual Cell Voltages and Battery Voltage to Battery Management Host
- Integrated Cell Balancing Drive
- I<sup>2</sup>C Compatible User Interface Allows Access to Battery Information
- Programmable Threshold and Delay for Overload and Short Circuit During Charge and Discharge
- System Alert Interrupt Output
- Host Control Can Initiate Sleep Power Mode and Ship Mode
- Integrated 3.3-V, 25-mA LDO
- Supply Voltage Range From 4.5 V to 25 V
- Low Supply Current of 60- $\mu$ A Typical
- bq29312A is 100% specification compatible with the bq29312

### APPLICATIONS

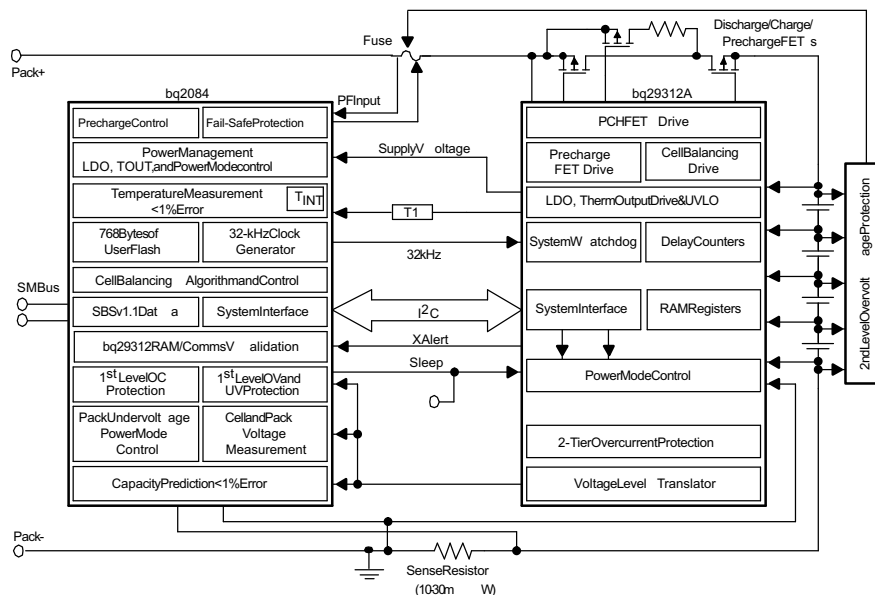
- Notebook PCs
- Medical and Test Equipment
- Portable Instrumentation

### DESCRIPTION

The bq29312A is a 2-, 3-, or 4-cell lithium-ion battery pack protection analog front end (AFE) IC that incorporates a 3.3-V, 25-mA low-dropout regulator (LDO). The bq29312A also integrates an I<sup>2</sup>C compatible interface to extract battery parameters such as cell voltages and control output status. Other parameters such as current protection thresholds and delays can be programmed into the bq29312A to increase the flexibility of the battery management system.

The bq29312A provides safety protection for over-charge, overload, short-circuit, overvoltage, and undervoltage conditions with the battery management host. In overload and short-circuit conditions, the bq29312A turns the FET drive off autonomously dependant on the internal configuration setting.

### SYSTEM PARTITIONING DIAGRAM



Please be aware that an important notice concerning availability, standard warranty, and use in critical applications of Texas Instruments semiconductor products and disclaimers thereto appears at the end of this data sheet.



These devices have limited built-in ESD protection. The leads should be shorted together or the device placed in conductive foam during storage or handling to prevent electrostatic damage to the MOS gates.

## DESCRIPTION (Continued)

The communications interface allows the host to observe and control the current status of the bq29312A. It enables cell balancing, enters different power modes, sets overload levels, sets the overload blanking delay time, sets short-circuit threshold levels for charge and discharge, and sets the short-circuit blanking delay time.

Cell balancing of each cell is performed via a cell bypass path, which is enabled via the internal control register accessible via the I<sup>2</sup>C compatible interface. The maximum bypass current is set via an external series resistor and internal FET on resistance (typical 400 Ω).

## ORDERING INFORMATION<sup>(1)</sup>

T <sub>A</sub>	PACKAGED	
	TSSOP (PW) <sup>(2)</sup>	QFN (RTH) <sup>(3)</sup>
–40°C to 85°C	bq29312APWR-SA	bq29312ARTH

- (1) For the most current package and ordering information, see the Package Option Addendum at the end of this document, or see the TI website at [www.ti.com](http://www.ti.com).
- (2) The bq29312A can be ordered in tape and reel by adding the suffix R to the orderable part number, ie: bq29312APWR bq29312ARTH.R.
- (3) The QFN package is also made available in mini reel, add suffix T to the orderable part number, ie: bq29312ARTH.T.

## PACKAGE DISSIPATION RATINGS

PACKAGE	POWER RATING T <sub>A</sub> ≤ 25°C	DERATING FACTOR ABOVE T <sub>A</sub> ≤ 25°C	POWER RATING	
			T <sub>A</sub> ≤ 70°C	T <sub>A</sub> = 85°C
PW	874 mW	6.99 W/°C	559 mW	454 mW

## ABSOLUTE MAXIMUM RATINGS

over operating free-air temperature range unless otherwise noted<sup>(1)(2)</sup>

			bq29312A
V <sub>CC</sub>	Supply voltage range	PACK, BAT	–0.3 V to 34 V
V <sub>I</sub>	Input voltage range	VC1, VC2, VC3, VC4	–0.3 V to 34 V
		SR1, SR2	–1.0 V to 1.0 V
		VC5	–1.0 V to 4.0 V
		VC1 to VC2, VC2 to VC3, VC3 to VC4, VC4 to VC5	–0.3 to 8.5 V
		WDI, SLEEP, SCLK, SDATA	–0.3 to 8.5 V
		ZVCHG	–0.3 V to 34 V
V <sub>O</sub>	Output voltage range	DSG, CHG	–0.3 V to BAT
		OD	–0.3 V to 34 V
		PMS	–0.3 V to PACK–0.2 V
		TOUT, SCLK, SDATA, CELL, XALERT	–0.3 to 7 V
	Current for cell balancing		10 mA
	Continuous total power dissipation		See Dissipation Rating Table
T <sub>stg</sub>	Storage temperature range		–65°C to 150°C
	Lead temperature (soldering, 10 s)		300°C

- (1) Stresses beyond those listed under "absolute maximum ratings" may cause permanent damage to the device. These are stress ratings only, and functional operation of the device at these or any other conditions beyond those indicated under "recommended operating conditions" is not implied. Exposure to absolute-maximum-rated conditions for extended periods may affect device reliability.
- (2) All voltages are with respect to ground of this device except VC<sub>n</sub>–VC<sub>(n+1)</sub>, where n = 1-, 2-, 3-, 4-cell voltage.

**RECOMMENDED OPERATING CONDITIONS**

			MIN	NOM	MAX	UNIT
Supply Voltage (BAT or PACK)			4.5 <sup>(1)</sup>		25	V
$V_{I(\text{STARTUP})}$	Start-up voltage (PACK)		5.0			V
$V_I$	Input voltage range	VC1, VC2, VC3, VC4	0		BAT	V
		SR1, SR2	-0.5		0.5	
		VC5	-0.5		3.0	
		$VC_n - VC_{(n+1)}$ , (n = 1, 2, 3, 4)	0		5.0	
		PMS	0		PACK	
		SLEEP	0		REG	
$V_{IH}$	Logic level input voltage	SCLK, SDATA, WDI	0.8 × REG		REG	V
$V_{IL}$			0		0.2 × REG	
$V_{IH}$	PMS logic level	PMS	$V_{(\text{PACK})} - 0.2$		$V_{(\text{PACK})}$	V
$V_{IL}$			0		0.2	
PMS pullup/pulldown resistance		RPMS	100		1000	kΩ
$V_O$	Output voltage		OD		25	V
$I_O$	Output current		XALERT, SDATA		200	μA
$I_i$	Input current, External 3.3-V REG capacitor	CELL			±10	μA
		SLEEP	-0.5		1.0	μA
		$C_{(\text{REG})}$	4.7			μF
Extend CELL output filter		$R_{(\text{CELL})}$	100			Ω
		$C_{(\text{CELL})}$	100			nF
$I_{OL}$	Input frequency	OD			1	mA
		WDI	32.768			kHz
WDI high time			2		28	μs
$T_A$	Operating temperature		-40		85	°C

(1)  $V_{(\text{PACK})}$  supply voltage must rise above start-up voltage on power up to enable the internal regulator which drives REG and TOUT as required. Once  $V_{(\text{PACK})}$  is above the start-up voltage, it can fall down to the minimum supply voltage and still meet the specifications of the bq29312A.

## ELECTRICAL CHARACTERISTICS

T<sub>A</sub> = 25°C, C<sub>(REG)</sub> = 4.7 µF, BAT = 14 V (unless otherwise noted)

PARAMETER		TEST CONDITIONS	MIN	TYP	MAX	UNIT	
<b>SUPPLY CURRENT</b>							
I <sub>CC1</sub>	Supply current 1	No load at REG, TOUT, XALERT, SCLK, and SDATA. ZVCHG = off, VMEN = on, WDI no clock, Select VC5 = VC4 = 0 V		60	90	µA	
		T <sub>A</sub> = -25°C to 85°C			100		
I <sub>CC2</sub>	Supply current 2 (Depends of VM topology selected)	No load at REG, TOUT, XALERT, SCLK, and SDATA. ZVCHG = off, VMEN = off, WDI no clock		25	50	µA	
I <sub>(SLEEP)</sub>	Sleep current	No load at REG, TOUT, XALERT, SCLK, and SDATA.CHG, DSG and ZVCHG = off, REG = on, VMEN = off, WDI no clock, SLEEP = REG or OPEN		20	40	µA	
I <sub>(SHIP)</sub>	Ship current	REG, CHG, DSG and ZVCHG = off, REG = off, VMEN = off, WDI no clock, VPACK= 0 V		0.1	1.0	µA	
<b>3.3 V LDO</b>							
V <sub>(REG)</sub>	Regulator output voltage	8.0 V < BAT or PACK ≤ 25 V, I <sub>OUT</sub> ≤ 25 mA	T <sub>A</sub> = -25°C to 85°C	-4%	3.3	2%	V
		6.5 V < BAT or PACK ≤ 8 V, I <sub>OUT</sub> ≤ 25 mA		-9%	3.3	2%	
		5.4 V ≤ BAT or PACK ≤ 6.5 V, I <sub>O</sub> ≤ 16 mA		-9%	3.3	2%	
		4.5 V ≤ BAT or PACK ≤ 25 V, I <sub>O</sub> ≤ 2 mA		-2%	3.3	2%	
ΔV <sub>(EGTEMP)</sub>	Regulator output change with temperature	5.4 V ≤ BAT ≤ 25 V, I <sub>O</sub> = 2 mA,	T <sub>A</sub> = -25°C to 85°C	±0.2%			
ΔV <sub>(REGLINE)</sub>	Line regulation	5.4 V ≤ BAT or PACK ≤ 25 V, I <sub>O</sub> = 2 mA		10	20	mV	
ΔV <sub>(REGLOAD)</sub>	Load regulation	BAT = 14 V, 0.2 mA ≤ I <sub>O</sub> ≤ 2 mA		7	15	mV	
		BAT = 14 V, 0.2 mA ≤ I <sub>O</sub> ≤ 25 mA		40	100		
I <sub>MAX</sub>	Current limit	BAT = 14 V, REG = 3 V		25	100	mA	
		BAT = 14 V, REG = 0 V		12	50		
<b>CELL VOLTAGE MONITOR</b>							
V <sub>(CELL OUT)</sub>	CELL output	V <sub>(Cn)</sub> - V <sub>(Cn + 1)</sub> = 0 V, 8 V ≤ BAT or PACK ≤ 25 V		0.975		V	
		V <sub>(Cn)</sub> - V <sub>(Cn + 1)</sub> = 4.5 V, 8 V ≤ BAT or PACK ≤ 25 V		0.3			
REF	CELL output	Mode <sup>(1)</sup> , 8 V ≤ BAT or PACK ≤ 25 V		-1%	0.975	1%	V
PACK	CELL output	Mode <sup>(2)</sup>		-5%	PACK/25	5%	V
K	CELL scale factor	K = (CELL output (VC5 = 0 V, VC4 = 4.5 V) -CELL output (VC5 = VC4 = 0 V)/ 4.5		0.147	0.150	0.153	
		K = (CELL output (VC2 = 13.5 V, VC1 = 18 V) -CELL output (VC2 = VC1 = 13.5 V)/ 4.5		0.147	0.150	0.153	
VICR	CELL output offset error	CELL output (VC2 = 17 V, VC1 = 17 V) CELL output (VC2 = VC1 = 0 V)		-1			mV
R <sub>(BAL)</sub>	Cell balance internal resistance	rds(ON) for internal FET switch at V <sub>DS</sub> = 2 V		200	400	800	Ω

(1) Register Address = 0x04, b2(CAL0) = b3(CAL1) = 1, Register Address = 0x03, b0(VMEN) = 1

(2) Register Address = 0x03, b1(PACKOUT) = 1, b0(VMEN) = 1

**ELECTRICAL CHARACTERISTICS (Continued)**

T<sub>A</sub> = 25°C, C<sub>(REG)</sub> = 4.7 μF, BAT = 14 V (unless otherwise noted)

PARAMETER		TEST CONDITION		MIN	NOM	MAX	UNIT
<b>OVERLOAD (OL) AND SHORT-CIRCUIT (SC) DETECTION</b>							
V <sub>OL</sub>	OL detection threshold range, typical <sup>(1)</sup>			-50		-205	mV
ΔV <sub>OL</sub>	OL detection threshold program step				5		mV
V <sub>HYS(OL)</sub>	OL detection threshold hysteresis			7	10	13	mV
V <sub>(SC)</sub>	SC detection threshold range, typical <sup>(2)</sup>	Charge		100		475	mV
		Discharge		-100		-475	
ΔV <sub>(SC)</sub>	SC detection threshold program step	Charge			25		mV
		Discharge			-25		
V <sub>HYS(SC)</sub>	SC detection threshold hysteresis	Charge and Discharge		40	50	60	mV
V <sub>(OL_acr)</sub>	OL detection threshold accuracy <sup>(1)</sup>	Discharge	V <sub>OL</sub> = 50 mV (min)	40	50	60	mV
			V <sub>OL</sub> = 100 mV	90	100	110	
			V <sub>OL</sub> = 205 mV (max)	184	205	226	
V <sub>(SC_acr)</sub>	SC detection threshold accuracy <sup>(2)</sup>	Charge and Discharge	V <sub>SC</sub> = 100 mV (min)	80	100	120	mV
			V <sub>SC</sub> = 200 mV	180	200	220	
			V <sub>SC</sub> = 475 mV (max)	426	475	523	
<b>FET DRIVE CIRCUIT</b>							
V <sub>(FETON)</sub>	Output voltage, charge, and discharge FETs on	V <sub>(FETOND)</sub> = V <sub>(BAT)</sub> - V <sub>(DSG)</sub> VGS connect 1 MΩ	BAT = 20 V	12	15	18	V
		V <sub>(FETONC)</sub> = V <sub>(PACK)</sub> - V <sub>(CHG)</sub> VGS connect 1 MΩ	PACK = 20 V	12	15	18	
V <sub>(ZCHG)</sub>	ZVCHG clamp voltage		PACK = 4.5 V	3.3	3.5	3.7	V
V <sub>(FETOFF)</sub>	Output voltage, charge and discharge FETs off	V <sub>(FETOFF)</sub> = V <sub>(PACK)</sub> - V <sub>(DSG)</sub>	PACK = 16 V			0.2	V
		V <sub>(FETOFF)</sub> = V <sub>(BAT)</sub> - V <sub>(CHG)</sub>	BAT = 16 V			0.2	
t <sub>r</sub>	Rise time	C <sub>L</sub> = 4700 pF	V <sub>DSG</sub> : 10%–90%		40	200	μs
			V <sub>CHG</sub> : 10%–90%		40	200	
t <sub>f</sub>	Fall time	C <sub>L</sub> = 4700 pF	V <sub>DSG</sub> : 90%–10%		40	200	μs
			V <sub>CHG</sub> : 90%–10%		40	200	
<b>THERMISTOR DRIVE</b>							
r <sub>DS(on)</sub>	TOUT pass-element series resistance	I <sub>O</sub> = -1 mA at TOUT pin, r <sub>DS(ON)</sub> = (V <sub>REG</sub> - V <sub>O</sub> (TOUT))/1 mA, T <sub>A</sub> = -25°C to 85°C			50	100	Ω
<b>LOGIC</b>							
R <sub>(PUP)</sub>	Internal pullup resistance	XALERT	T <sub>A</sub> = -25°C to 85°C	60	100	200	kΩ
		SDATA, SCLK,	T <sub>A</sub> = -25°C to 85°C	6	10	20	
V <sub>OL</sub>	Logic level output voltage	XALERT, I <sub>O</sub> = 200 μA,	T <sub>A</sub> = -25°C to 85°C			0.2	V
		SDATA, I <sub>O</sub> = 50 μA,	T <sub>A</sub> = -25°C to 85°C			0.4	
		OD I <sub>O</sub> = 1 mA,	T <sub>A</sub> = -25°C to 85°C			0.6	

(1) See OL register for setting detection threshold

(2) See SC register for setting detection threshold

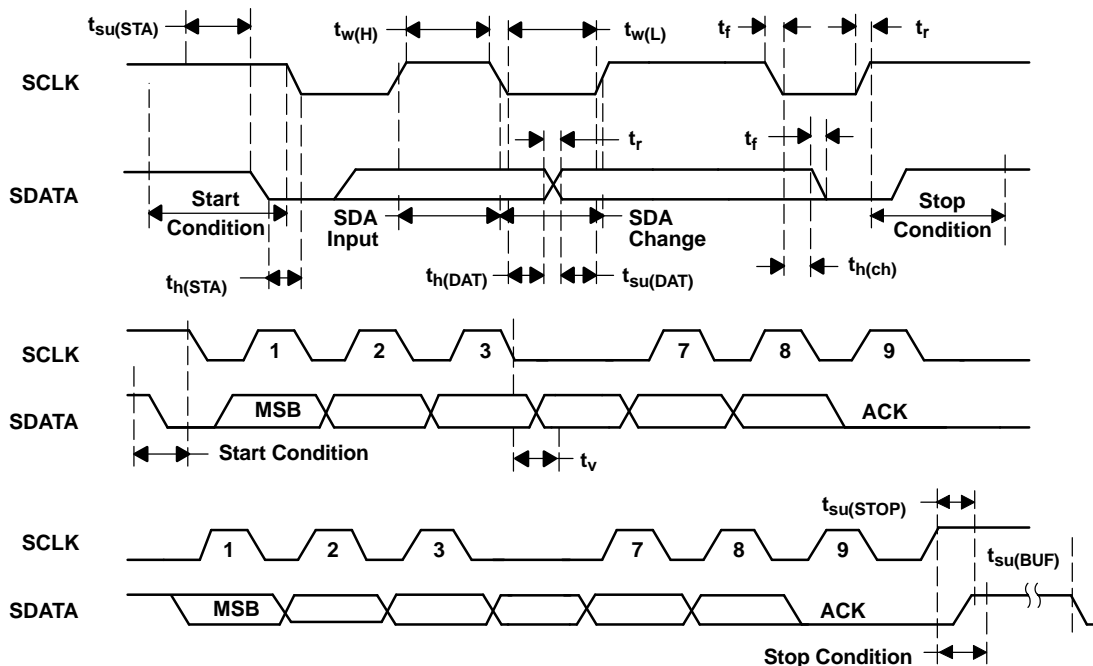
### AC ELECTRICAL CHARACTERISTICS

T<sub>A</sub> = 25°C, C<sub>(REG)</sub> = 4.7 μF, BAT = 14 V (unless otherwise noted)

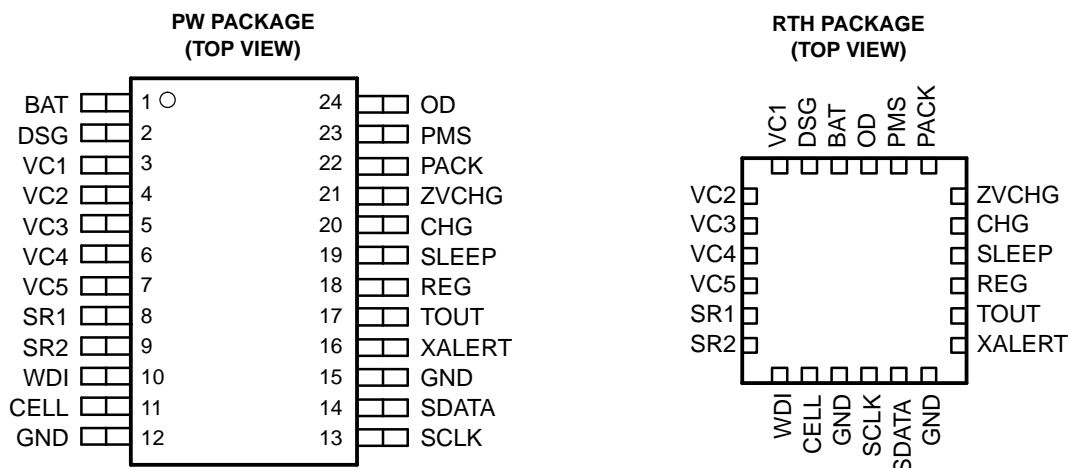
PARAMETER	TEST CONDITION	MIN	NOM	MAX	UNIT
t <sub>(WDTINT)</sub>	WDT start-up detect time	250	700	2000	ms
t <sub>(WDWT)</sub>	WDT detect time		100		μs

### AC TIMING SPECIFICATIONS (I<sup>2</sup>C COMPATIBLE SERIAL INTERFACE)

PARAMETER	MIN	MAX	UNIT
t <sub>r</sub>		1000	ns
t <sub>f</sub>		300	ns
t <sub>w(H)</sub>	4.0		μs
t <sub>w(L)</sub>	4.7		μs
t <sub>su(STA)</sub>	4.7		μs
t <sub>h(STA)</sub>	4.0		μs
t <sub>su(DAT)</sub>	250		ns
t <sub>h(DAT)</sub>	0		μs
t <sub>su(STOP)</sub>	4.0		μs
t <sub>su(BUF)</sub>	4.7		μs
t <sub>v</sub>		900	ns
t <sub>h(CH)</sub>	0		ns
f <sub>SCL</sub>	0	100	kHz



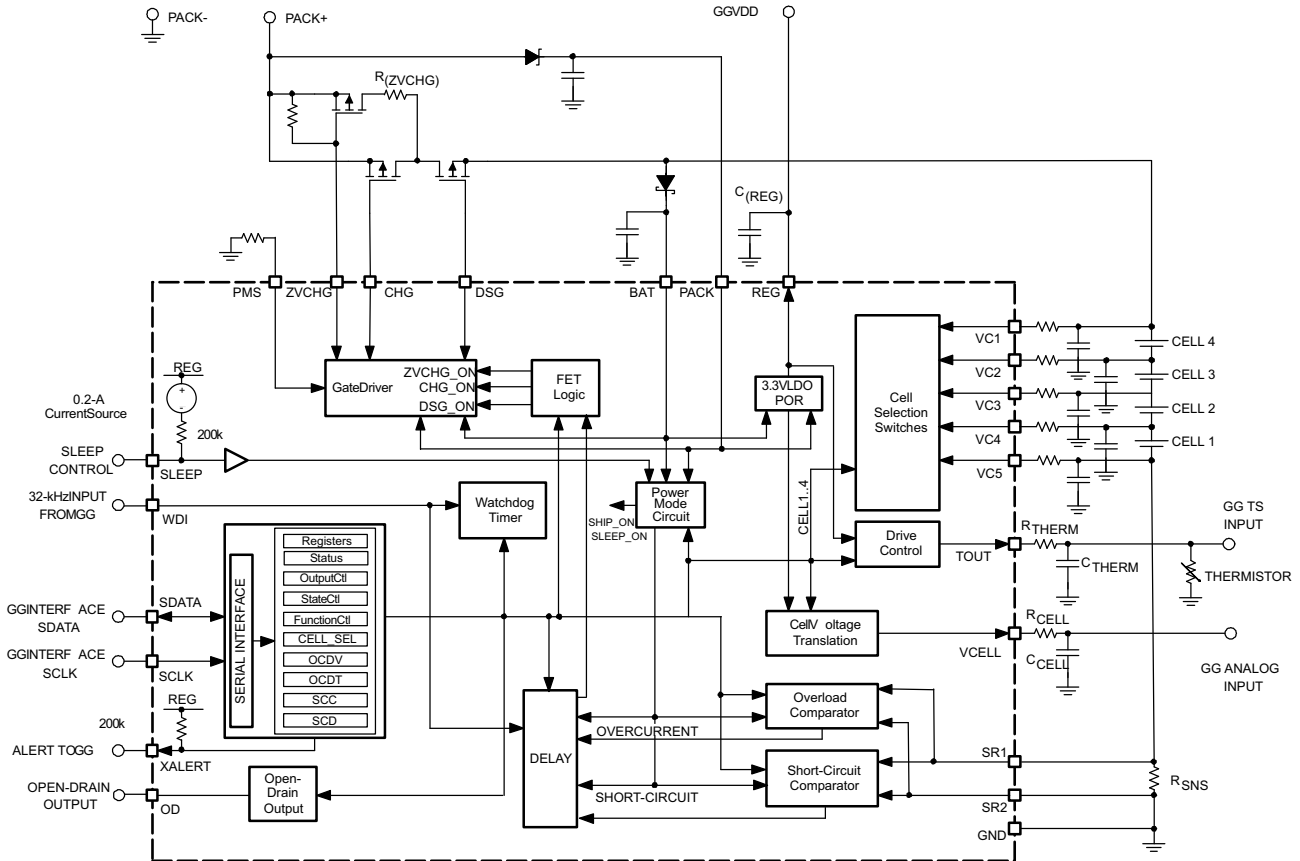
## PIN ASSIGNMENTS



## Terminal Functions

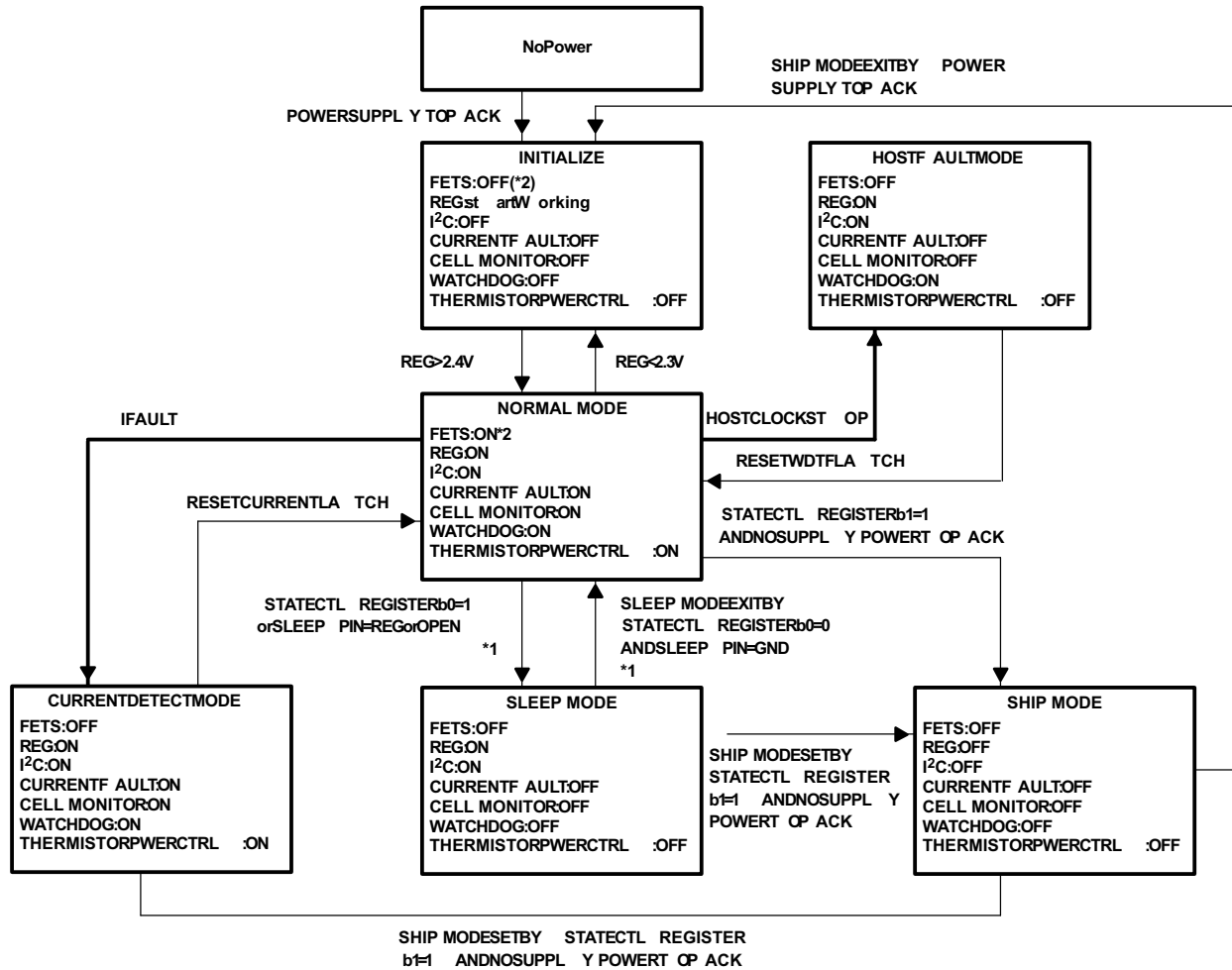
TERMINAL			DESCRIPTION
NAME	PIN NO.		
	RTH	PW	
BAT	22	1	Diode protected BAT+ terminal and primary power source.
DSG	23	2	Push-pull output discharge FET gate drive
VC1	24	3	Sense voltage input terminal for most-positive cell and balance current input for most-positive cell.
VC2	1	4	Sense voltage input terminal for second most-positive cell, balance current input for second most-positive cell and return balance current for most-positive cell.
VC3	2	5	Sense voltage input terminal for third most-positive cell, balance current input for third most-positive cell and return balance current for second most-positive cell.
VC4	3	6	Sense voltage input terminal for least-positive cell, balance current input for least-positive cell and return balance current for third most-positive cell.
VC5	4	7	Sense voltage input terminal for most-negative cell, return balance current for least-positive cell.
SR1	5	8	Current sense positive terminal when charging relative to SR2
SR2	6	9	Current sense negative terminal when discharging relative to SR2 current sense terminal
WDI	7	10	Digital input that provides the timing clock for the OC and SC delays and also acts as the watchdog clock.
CELL	8	11	Output of scaled value of the measured cell voltage.
GND	9	12	Analog ground pin and negative pack terminal
SCLK	10	13	Open-drain bidirectional serial interface clock with internal 10-k $\Omega$ pullup to $V_{(REG)}$ .
SDATA	11	14	Open-drain bidirectional serial interface data with internal 10-k $\Omega$ pullup to $V_{(REG)}$ .
GND	12	15	Connect to GND
XALERT	13	16	Open-drain output used to indicate status register changes. With internal 100-k $\Omega$ pullup to $V_{(REG)}$
TOUT	14	17	Provides thermistor bias current
REG	15	18	Integrated 3.3-V regulator output
SLEEP	16	19	This pin is pulled up to $V_{(REG)}$ internally, open or H level makes Sleep mode
CHG	17	20	Push-pull output charge FET gate drive
ZVCHG	18	21	The ZVCHG FET drive is connected here
PACK	19	22	PACK positive terminal and alternative power source
PMS	20	23	0-V charge configuration select pin, CHG terminal ON/OFF is determined by this pin.
OD	21	24	NCH FET open-drain output

FUNCTIONAL BLOCK DIAGRAM





**STATE DIAGRAM**



 InterruptRequestWhen  
 EnteringTheseStates

\*1:InterruptRequestisGrantedWhenOnlyExternalSleepPinChanges  
 \*2:WhenPMSconnecttoPack,DefaultStateofCHGFETisON.

---

## FUNCTIONAL DESCRIPTION

### Low-Dropout Regulator (REG)

The inputs for this regulator can be derived from the battery cell stack (BAT) or the pack positive terminal (PACK). The output is typically 3.3 V with the minimum output capacitance for stable operation is 4.7  $\mu\text{F}$  and is also internally current limited. During normal operation, the regulator limits output current to typically 50 mA.

### Initialization

The bq29312A internal control circuit is powered by the REG voltage, which it also monitors. When the voltage at REG falls below 2.3 V, the internal circuit turns off the FETs and disables all controllable functions, including the REG and TOUT outputs. REG does not start up unless a voltage above  $V_{(\text{STARTUP})}$  is supplied to the PACK terminal. After the regulator has started, based on PACK voltage, it keeps operating through the BAT input, even if the PACK voltage is removed. If the BAT input is below the minimum operating range, then the bq29312A does not operate if the supply to the PACK input is removed. After start up, when the REG voltage is above 2.4 V, the bq29312A is in Normal mode.

The initial state of the CHG output depends on the PMS input. If PMS = PACK, then CHG = ON, however, if PMS = GND, then CHG = OFF.

### Overload Detection

The overload detection is used to detect abnormal currents in the discharge direction. This feature is used to protect the pass FETs, cells and any other inline components from excessive current conditions. The detection circuit also incorporates a blanking delay before driving the control for the pass FETs to the OFF state. The overload sense voltage is set in the OLV register, and delay time is set in the OLT register. The overload threshold can be programmed from 50 mV to 205 mV in 5-mV steps with the default being 50 mV and hysteresis of 10 mV.

### Short-Circuit Detection

The short current circuit detection is used to detect abnormal current in either the charge or discharge direction. This safety feature is used to protect the pass FETs, cells, and any other inline components from excessive current conditions. The detection circuit also incorporates a blanking delay before driving the control for the pass FETs to the OFF state. The short-circuit thresholds and delay time are set in the SCC and SCD registers, respectively, where SCC is for charging and SCD is for discharge. The short-circuit threshold can be programmed from 100 mV to 475 mV in 25-mV steps with the default being 100 mV and hysteresis of 50 mV.

### Overload and Short-Circuit Delay

The overload delay (default = 1 ms) allows the system to momentarily accept a high current condition without disconnecting the supply to the load. The delay time can be increased via the OLT register, which can be programmed for a range of 1 ms to 31 ms with steps of 2 ms.

The short-circuit delay (default = 0  $\mu\text{s}$ ) is programmable in the SCC and SCD registers. This register can be programmed from 0  $\mu\text{s}$  to 915  $\mu\text{s}$  with steps of 61  $\mu\text{s}$ .

### Overload and Short-Circuit Response

When an overload or short-circuit fault is detected, the FETs are turned off. The STATUS (b0...b2) register reports the details of short-circuit (charge), short-circuit (discharge), and overload. The respective STATUS (b0...b2) bits are set to 1 and the XALERT output is triggered. This condition is latched until the CONTROL (b0) is set and then reset. If a FET is turned on via resetting CONTROL (b0) and the error condition is still present on the system, then the device reenters the protection response state.

## FUNCTIONAL DESCRIPTION (continued)

### Cell Voltage

The cell voltage is translated to allow a system host to measure individual series elements of the battery. The series element voltage is translated to a GND-based voltage equal to  $0.15 \pm 0.002$  of the series element voltage. This provides a range from 0 V to 4.5 V. The translation output is inversely proportional to the input using the following equation.

$$\text{Where, } V_{(\text{CELL OUT})} = -K \times V_{(\text{CELL IN})} + 0.975 \text{ (V)}$$

Programming CELL\_SEL (b1, b0) selects the individual series element. The CELL\_SEL (b3, b2) selects the voltage monitor mode, cell monitor, offset, etc.

### Calibration of Cell Voltage Monitor Amplifier Gain

The cell voltage monitor amplifier has an offset, and to increase accuracy, this can be calibrated.

There are a couple of methods by calibration circumstance.

The following procedure shows how to measure and calculate the offset and gain as an example.

- **Step 1**
  - Set CAL1=1, CAL0=1, CELL1=0, CELL0=0, VMEN=1
  - $V_{\text{REF}}$  is trimmed to 0.975 V within  $\pm 1\%$ , measuring  $V_{\text{REF}}$  eliminates its error.
  - Measure internal reference voltage  $V_{\text{REF}}$  from VCELL directly.
  - $V_{\text{REF}}$ =measured reference voltage
- **Step 2**
  - Set CAL1=0, CAL0=0, CELL1=0, CELL0=1, VMEN=1
  - The output voltage includes the offset and represented by:
 
$$V_{\text{O(4-5)}} = V_{\text{REF}} + (1 + K) \times V_{\text{OS}} \text{ (V)}$$
 Where K = CELL Scaling Factor
  - $V_{\text{OS}}$  = Offset voltage at input of the internal operational amplifier
- **Step 3**
  - Set CAL1=1, CAL0=0, CELL1=0, CELL0=0, VMEN=1
  - Measuring scaled REF voltage through VCELL amplifier.
  - The output voltage includes the scale factor error and offset and is represented by:
 
$$V_{(\text{OUTR})} = V_{\text{REF}} + (1 + K) \times V_{\text{OS}} - K \times V_{\text{REF}} \text{ (V)}$$
- **Step 4**
  - Calculate  $(V_{\text{O(4-5)}} - V_{(\text{OUTR})})/V_{\text{REF}}$
  - The result is the actual scaling factor,  $K_{(\text{ACT})}$ , and is represented by:
 
$$K_{(\text{ACT})} = (V_{\text{O(4-5)}} - V_{(\text{OUTR})})/V_{\text{REF}} = (V_{\text{REF}} + (1 + K) \times V_{\text{OS}}) - (V_{\text{REF}} + (1 + K) \times V_{\text{OS}} - K \times V_{\text{REF}})/V_{\text{REF}} = K \times V_{\text{REF}}/V_{\text{REF}} = K$$
- **Step 5**
  - Calculate the actual offset value where:
 
$$V_{\text{OS(ACT)}} = (V_{\text{O(4-5)}} - V_{\text{REF}})/(1 + K_{(\text{ACT})})$$
- **Step 6**
  - Calibrated cell voltage is calculated by:
 
$$V_{\text{Cn}} - V_{\text{C(n+1)}} = \{V_{\text{REF}} + (1 + K_{(\text{ACT})}) \times V_{\text{OS(ACT)}} - V_{(\text{CELLOUT})}\}/K_{(\text{ACT})} - \{V_{\text{O(4-5)}} - V_{(\text{CELLOUT})}\}/K_{(\text{ACT})}$$

For improved measurement accuracy,  $V_{\text{OS(ACT)}}$  for each cell voltage should be measured.

- Set CAL1=0, CAL0=0, CELL1=0, CELL0=1, VMEN=1
- Set CAL1=0, CAL0=0, CELL1=1, CELL0=0, VMEN=1
- Set CAL1=0, CAL0=0, CELL1=1, CELL0=1, VMEN=1

## FUNCTIONAL DESCRIPTION (continued)

Measuring  $V_{O(3-4)}$ ,  $V_{O(2-3)}$ ,  $V_{O(1-2)}$ ,

- $VC4 - VC5 = \{V_{O(4-5)} - V_{(CELLOUT)}\} / K_{(ACT)}$
- $VC3 - VC4 = \{V_{O(3-4)} - V_{(CELLOUT)}\} / K_{(ACT)}$
- $VC2 - VC3 = \{V_{O(2-3)} - V_{(CELLOUT)}\} / K_{(ACT)}$
- $VC1 - VC2 = \{V_{O(1-2)} - V_{(CELLOUT)}\} / K_{(ACT)}$

### Cell Balance Control

The cell balance control allows a small bypass path to be controlled for any one series element. The purpose of this bypass path is to reduce the current into any one cell during charging to bring the series elements to the same voltage. Series resistors placed between the input pins and the positive series element nodes control the bypass current value. Individual series element selection is made using bits 4 through 7 of the CELL\_SEL register.

### Thermistor Drive Circuit (TOUT)

The TOUT pin can be enabled to drive a thermistor from REG. The typical thermistor resistance is 10 k $\Omega$  at 25°C. The default-state is OFF to conserve power. The maximum output impedance is 100  $\Omega$ . TOUT is enabled in FUNCTION CTL register (bit 5).

### Open-Drain Drive Circuit (OD)

The open-drain output has 1-mA current source drive with a maximum output voltage of 25 V. The OD output is enabled or disabled by OUTPUT CTL register (bit 4) and has a default state of OFF.

### XALERT (XALERT)

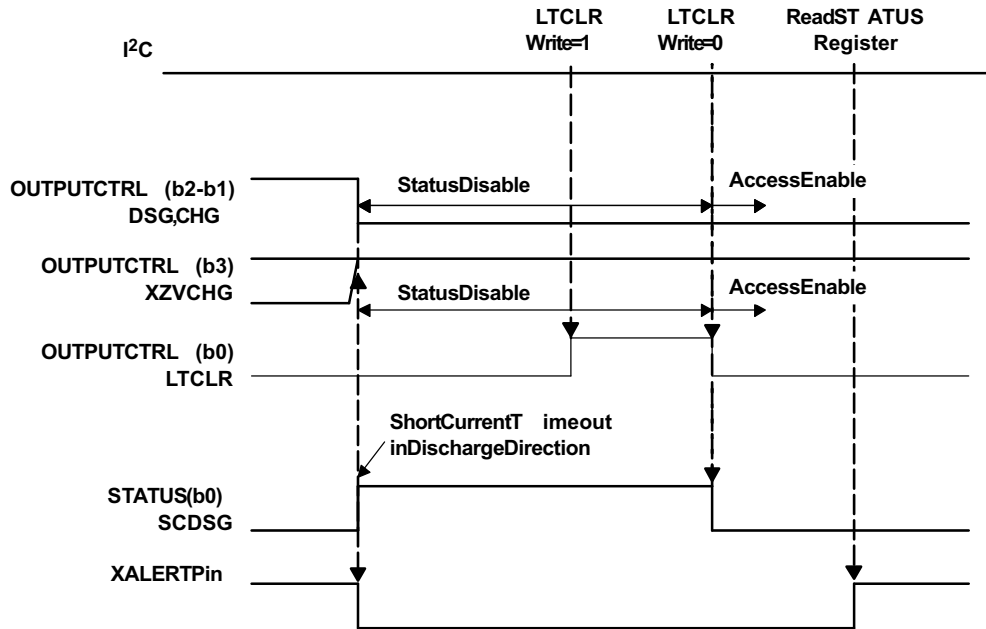
XALERT is driven low when an OL or SC current fault is detected, if the SLEEP pin changes state or a watchdog fault occurs. To clear XALERT, toggle (from 0, set to 1 then reset to 0) OUTPUT CTL (bit 0), then read the STATUS register.

### Latch Clear (LTCLR)

When a current limit fault or watchdog timer fault occurs, the state is latched. To clear these faults, toggle (from 0, set 1 then reset to 0) LTCLR in the OUTPUT CTL register (bit 0).

[Figure 1](#) is the LTCLR and XALERT clear example after sensing a short-circuit.

**FUNCTIONAL DESCRIPTION (continued)**



**Figure 1. LTCLR and XALERT Clear Example After Sensing Short LTCLR and XALER Clear Example**

**FUNCTIONAL DESCRIPTION (continued)**

**2-, 3-, or 4-Cell Configuration**

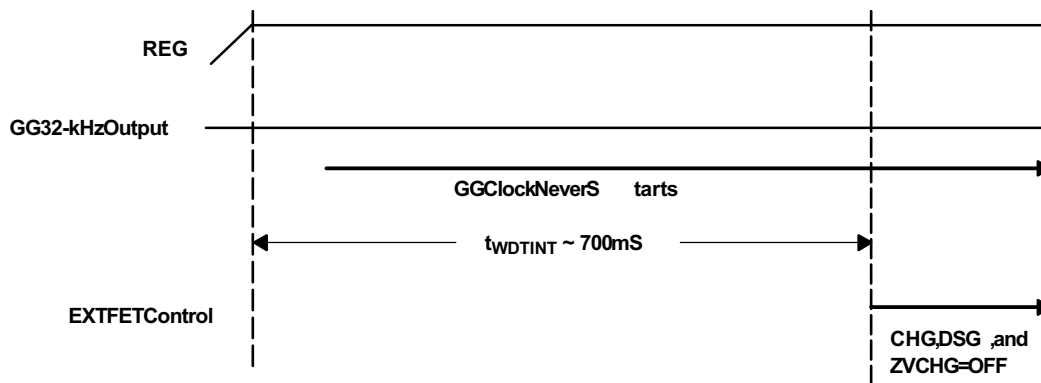
In a 3-cell configuration, VC1 is shorted to VC2. In a 2-cell configuration, VC1 and VC2 are shorted to VC3.

**Watchdog Input (WDI)**

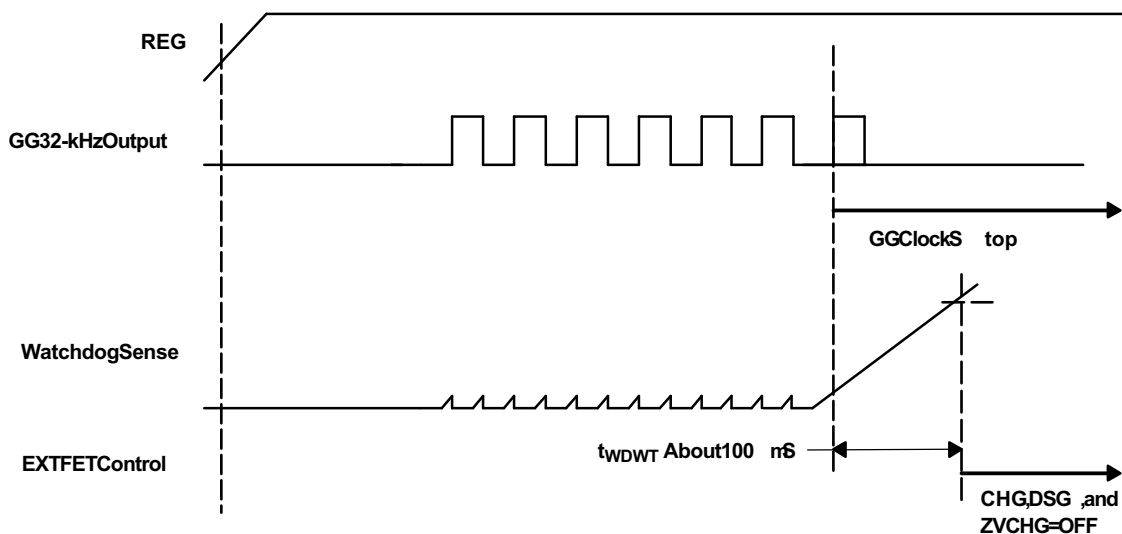
The WDI input is required as a time base for delay timing when determining overload and short-circuit delay periods and is used as part of the system watchdog.

Initially, the watchdog monitors the host oscillator start up; if there is no response from the host within 700 ms of the bq29312A reaching its minimum operating voltage, then the bq29312A turns both CHG, DSG, and ZVCHG FETs OFF.

Once the watchdog has been started during this wake-up period, it monitors the host for an oscillation stop condition, which is defined as a period of 100  $\mu$ s (typ), where no clock input is received. If an oscillator stop condition is identified, then the watchdog turns the CHG, DSG, and ZVCHG FETs OFF. When the host clock oscillation is started, WDF is released, but the flag is latched until LTCLR is toggled.



**Figure 2. Watchdog Timing Chart—WDI Fault at Startup**



**Figure 3. Watchdog Timing Chart—WDI Fault After Startup**

**DSG and CHG FET Driver Control**

The bq29312A drives the DSG, CHG, and ZVCHG FET off if an OL or SC safety threshold is breached depending on the current direction. The host can force any FET on or off only if the bq29312A integrated protection control allows. The DSG and CHG FET drive gate-to-drain voltage is clamped to 15 V (typ).

## FUNCTIONAL DESCRIPTION (continued)

The default-state of the CHG and DSG FET drive is off, when PMS = GND. A host can control the FET drive by programming OUTPUT CTL (b3...b1) where b1 is used to control the discharge FET, b2 is used to control the charge FET, and b3 is used to control the ZVCHG FET. These controls are only valid when not in the initialized state. The CHG drive FET can be powered by PACK and the DSG FET can be powered by BAT.

## Precharge and 0-V Charging—Theory of Operation

The bq29312A supports both a charger that has a precharge mode and one that does not. The bq29312A also supports charging even when the battery falls to 0 V. Detail is described in the application section.

## SLEEP Control Input (SLEEP)

The SLEEP input is pulled-up internally to REG. When SLEEP is pulled to REG, the bq29312A enters the SLEEP mode. The SLEEP mode disables all the FET outputs and the OL, SC, and watchdog faults are also disabled. The RAM configuration is still valid on exit of the SLEEP mode. The host can force the bq29312A into SLEEP mode via register control also.

**Table 1. SLEEP Control Input**

ITEM	SLEEP		EXIT SLEEP
	FUNCTION	I <sup>2</sup> C READ/WRITE	
I <sup>2</sup> C Read/Write	Active	Write is available, but read is disabled	Last pre-sleep entry configuration is valid. (If change configuration, latest write data is valid.)
REG Output	Active		
External pin control: CHG, DSG, ZVCHG, TOUT, OD OC and SC protection: SCD, SCC and OCD CELL Translation PACKOUT, VMEN Cell Balancing: CB[3:0] Watchdog: WDDIS	Disabled		

## Power Modes

The bq29312A has three power modes, Normal, Sleep, and Ship. The following table outlines the operational functions during these power modes.

**Table 2. Power Modes**

POWER MODE	TO ENTER POWER MODE	TO EXIT POWER MODE	MODE DESCRIPTION
Normal	SLEEP = GND and STATE CTL( b0) = 0 and STATE CTL( b1) = 0		The battery is in normal operation with protection, power management, and battery monitoring functions available and operating.  The supply current of this mode varies as the host can enable and disable various power management features.
Sleep	{SLEEP = REG (floating) or STATE CTL( b0) = 1 } and STATE CTL( b1) = 0	SLEEP = GND and STATE CTL( b0) = 0	All functions stop except LDO and I <sup>2</sup> C interface. On entry to this mode, all registers are masked off keeping their state. The host controller can change the RAM registers via the I <sup>2</sup> C interface, but reading data is disabled until exit of Sleep mode.
Ship	STATE CTL( b1) = 1 And supply at the PACK pin is removed	Supply voltage to PACK	The bq29312A is completely shut down as in the sleep mode. In addition, the REG output is disabled, I <sup>2</sup> C interface is powered down, and memory is not valid.

### Communications

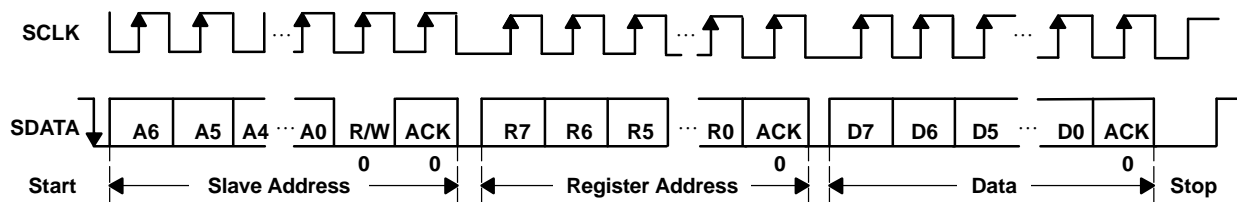
The I<sup>2</sup>C compatible serial communications provides read and write access to the bq29312A data area. The data is clocked via separate data (SDATA) and clock (SCLK) pins. The bq29312A acts as a slave device and does not generate clock pulses. Communication to the bq29312A is provided from GPIO pins or an I<sup>2</sup>C supporting port of a host system controller. The slave address for the bq29312A is 7 bits and the value is 0100 000 (0x20).

	I <sup>2</sup> C ADDRESS +R/W BIT							(LSB)
	I <sup>2</sup> C ADDRESS (0x20)						(LSB)	
Write <sup>(1)</sup>	0	1	0	0	0	0	0	0
Read	0	1	0	0	0	0	0	1

(1) Bit 0: 0 = write, 1 = read

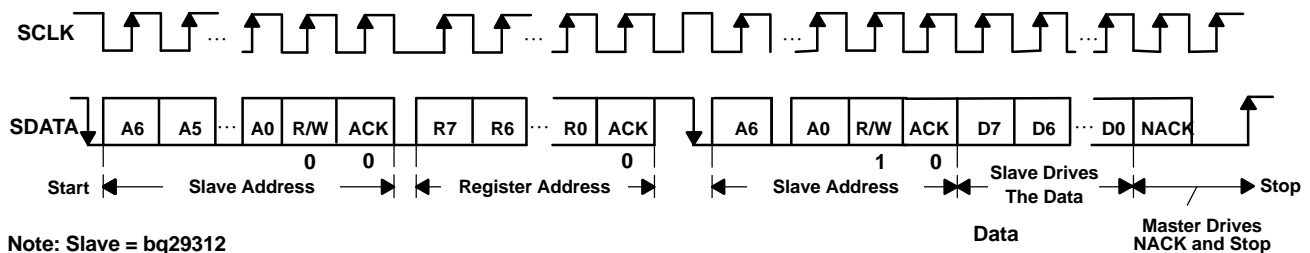
The bq29312A does *not* have the following functions compatible with the I<sup>2</sup>C specification.

- The bq29312A is always regarded as a slave.
- The bq29312A does not return a NACK for an invalid register address.
- The bq29312A does not support the general code of the I<sup>2</sup>C specification, and therefore does not return an ACK.
- The bq29312A does *not* support the address auto increment, which allows continuous reading and writing.
- The bq29312A allows data to be written to or read from the same location without resending the location address.



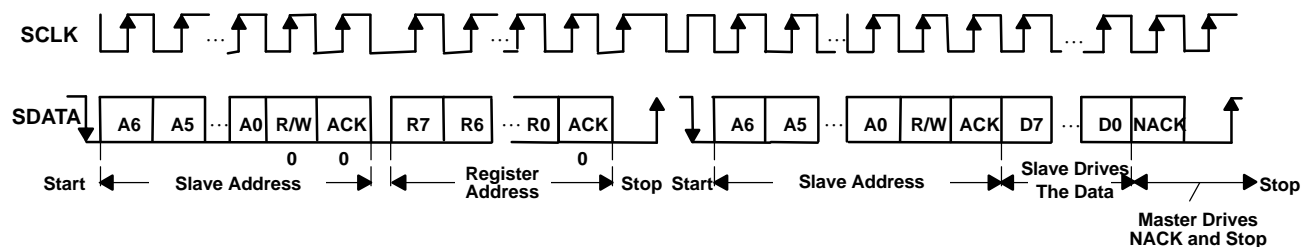
Note: Slave = bq29312

Figure 4. I<sup>2</sup>C-Bus Write to bq29312A



Note: Slave = bq29312

Figure 5. I<sup>2</sup>C-Bus Read from bq29312A: Protocol A



Note: Slave = bq29312

Figure 6. I<sup>2</sup>C-Bus Read from bq29312A: Protocol B



## Register Map

The bq29312A has nine addressable registers. These registers provide status, control, and configuration information for the battery protection system.

**Table 3. Addressable Registers**

NAME	ADDR	TYPE	DESCRIPTION
STATUS	0x00	R	Status register
OUTPUT CTL	0x01	R/W	Output pin control from system host
STATE CTL	0x02	R/W	State control
FUNCTION CTL	0x03	R/W	Function control
CELL_SEL	0x04	R/W	Battery cell select for cell translation and balance bypass and select mode for calibration
OLV	0x05	R/W	Overload threshold voltage
OLT	0x06	R/W	Overload delay time
SCC	0x07	R/W	Short-circuit current threshold voltage and delay for charge
SCD	0x08	R/W	Short-circuit current threshold voltage and delay for discharge

### STATUS : Status register

STATUS REGISTER (0x00)							
7	6	5	4	3	2	1	0
0	0	ZVCLMP	SLEEPDET	WDF	OL	SCCHG	SCDSG

The STATUS register provides information about the current state of the bq29312A. Reading the STATUS register clears the XALERT pin.

STATUS b0 (SCDSG): This bit indicates a short-circuit in the discharge direction.

0 = Current below the short-circuit threshold in the discharge direction (default).

1 = Current greater than or equal to the short-circuit threshold in the discharge direction.

STATUS b1 (SCCHG): This bit indicates a short-circuit in the charge direction.

0 = Current below the short-circuit threshold in the charge direction (default).

1 = Current greater than or equal to the short-circuit threshold in the charge direction.

STATUS b2 (OL): This bit indicates an overload condition.

0 = Current less than or equal to the overload threshold (default).

1 = Current greater than overload threshold.

STATUS b3 (WDF): This bit indicates a watchdog fault condition has occurred.

0 = 32-kHz oscillation is normal (default).

1 = 32-kHz oscillation stopped or not started and the watchdog has timed out.

STATUS b4 (SLEEPDET): This bit indicates the bq29312A is SLEEP mode.

0 = bq29312A is not in SLEEP mode (default).

1 = bq29312A is in SLEEP mode.

STATUS b5 (ZVCLMP): This bit indicates ZVCHG output is clamped.

0 = ZVCHG pin is not clamped (default).

1 = ZVCHG pin is clamped.

### OUTPUT CTL: Output Control Register

OUTPUT CTL REGISTER (0x01)							
7	6	5	4	3	2	1	0
0	0	0	OD	XZVCHG	CHG	DSG	LTCLR

The OUTPUT CTL register controls the outputs of the bq29312A and can be used to clear certain states.

**OUTPUT CTL b0 (LTCLR):** When a current limit fault or watchdog timer fault is latched, this bit releases the fault latch when toggled from 0 to 1 and back to 0 (default =0).

0 = (default)

0->1 ->0 clears the fault latches

**OUTPUT CTL b1 (DSG):** This bit controls the external discharge FET.

0 = discharge FET is off and is controlled by the system host (default).

1 = discharge FET is on and the bq29312A is in normal operating mode.

**OUTPUT CTL b2 (CHG):** This bit controls the external charge FET.

**PMS=GND**

0 = charge FET is off and is controlled by the system host (default).

1 = charge FET is on and the bq29312A is in normal operating mode.

**PMS=PACK**

0 = charge FET is off and is controlled by the system host.

1 = charge FET is on and the bq29312A is in normal operating mode (default).

**OUTPUT CTL b3 (XZVCHG):** This bit controls the external ZVCHG FET.

0 = ZVCHG FET is on and is controlled by the system host (default).

1 = ZVCHG FET is off and the bq29312A is in normal operating mode.

**OUTPUT CTL b4 (OD):** This bit enables or disables the OD output.

0 = OD is high impedance (default).

1 = OD output is active (GND).

### STATE CTL: State Control Register

STATE CTL REGISTER (0x02)							
7	6	5	4	3	2	1	0
0	0	0	0	0	WDDIS	SHIP	SLEEP

The STATE CTL register controls the state of the bq29312A.

**STATE CTL b0 (SLEEP):** This bit is used to enter the sleep power mode.

0 = bq29312A exits sleep mode (default).

1 = bq29312A enters the sleep mode.

**STATE CTL b1 (SHIP):** This bit is used to enter the ship power mode when pack supply voltage is not applied.

0 = bq29312A in normal mode (default).

1 = bq29312A enters ship mode when pack voltage is removed.

**STATE CTL b2 (WDDIS):** This bit is used to enable or disable the watchdog timer function.

0 = enable clock monitoring (default).

1 = disable clock monitoring.

#### NOTE:

Use caution when setting the WDDIS. For example, when the 32-kHz input fails, the overload and short-circuit delay timers no longer function because they use the same WDI input. If the WDI input clock stops, these current protections do not function. WDF should be enabled at any time for maximum safety. If the watchdog function is disabled, the CHG and DSG FETs should be turned off.

## FUNCTION CTL: Function Control Register

FUNCTION CTL REGISTER (0x03)							
7	6	5	4	3	2	1	0
0	0	TOUT	XSCD	SSCC	XOL	PACKOUT	VMEN

The FUNCTION CTL register enables and disables functions of the bq29312A.

**FUNCTION CTL b0 (VMEN):** This bit enables or disables the cell and battery voltage monitoring function.

- 0 = disable voltage monitoring (default). CELL output is pulled down to GND level.
- 1 = enable voltage monitoring.

**FUNCTION CTL b1 (PACKOUT):** This bit is used to translate the PACK input to the CELL pin when VMEN=1. The pack voltage is divided by 25 and is presented on CELL regardless of the CELL\_SEL register settings.

- 0 = disable PACK OUT (default).
- 1 = enable PACK OUT.

**FUNCTION CTL b2 (XOL):** This bit enables or disables the overcurrent sense function.

- 0 = enable overload sense (default).
- 1 = disable overload sense.

**FUNCTION CTL b3 (XSCC):** This bit enables or disables the short current sense function of charging.

- 0 = enable short-circuit current sense in charge direction (default).
- 1 = disable short-circuit current sense in charge direction.

**FUNCTION CTL b4 (XSCD):** This bit enables or disables the short current sense function of discharge.

- 0 = enable short-circuit current sense in discharge direction (default).
- 1 = disable short-circuit current sense in discharge direction.

**FUNCTION CTL b5 (TOUT):** This bit controls the power to the thermistor.

- 0 = thermistor power is off (default).
- 1 = thermistor power is on.

## CELL SEL: Cell Select Register

CELL_SEL REGISTER (0x04)							
7	6	5	4	3	2	1	0
CB3	CB2	CB1	CB0	CAL1	CAL0	CELL1	CELL0

This register determines cell selection for voltage measurement and translation, cell balancing, and the operational mode of the cell voltage monitoring.

**CELL\_SEL b0–b1 (CELL0–CELL1):** These two bits select the series cell for voltage measurement translation.

CELL1	CELL0	SELECTED CELL
0	0	VC4–VC5, Bottom series element (default)
0	1	VC4–VC3, Second lowest series element
1	0	VC3–VC2, Second highest series element
1	1	VC1–VC2, Top series element

**CELL\_SEL b2–b3 (CAL1, CAL0):** These bits determine the mode of the voltage monitor block.

CAL1	CAL0	SELECTED MODE
0	0	Cell translation for selected cell (default)
0	1	Offset measurement for selected cell
1	0	Monitor the $V_{REF}$ value for gain calibration
1	1	Monitor the $V_{REF}$ directly value for gain calibration, bypassing the translation circuit

CELL\_SEL b4–b7 (CB0–CB3): These 4 bits select the series cell for cell balance bypass path.

CELL\_SEL b4 (CB0): This bit enables or disables the bottom series cell balance charge bypass path.

0 = disable bottom series cell balance charge bypass path (default).

1 = enable bottom series cell balance charge bypass path.

CELL\_SEL b5 (CB1): This bit enables or disables the second lowest series cell balance charge bypass path.

0 = disable series cell balance charge bypass path (default).

1 = enable series cell balance charge bypass path.

CELL\_SEL b6 (CB2): This bit enables or disables the second highest cell balance charge bypass path.

0 = disable series cell balance charge bypass path (default).

1 = enable series cell balance charge bypass path.

CELL\_SEL b7 (CB3): This bit enables or disables the highest series cell balance charge bypass path.

0 = disable series cell balance charge bypass path (default).

1 = enable series cell balance charge bypass path.

### OLV: Overload Voltage Threshold Register

OLV REGISTER (0x05)							
7	6	5	4	3	2	1	0
0	0	0	OLV4	OLV3	OLV2	OLV1	OLV0

OLV (b4–b0): These five bits select the value of the overload threshold with a default of 00000.

OLV (b4–b0) configuration bits with corresponding voltage threshold

00000	0.050 V	01000	0.090 V	10000	0.130 V	11000	0.170 V
00001	0.055 V	01001	0.095 V	10001	0.135 V	11001	0.175 V
00010	0.060 V	01010	0.100 V	10010	0.140 V	11010	0.180 V
00011	0.065 V	01011	0.105 V	10011	0.145 V	11011	0.185 V
00100	0.070 V	01100	0.110 V	10100	0.150 V	11100	0.190 V
00101	0.075 V	01101	0.115 V	10101	0.155 V	11101	0.195 V
00110	0.080 V	01110	0.120 V	10110	0.160 V	11110	0.200 V
00111	0.085 V	01111	0.125 V	10111	0.165 V	11111	0.205 V

### OLT: Overload Blanking Delay Time Register

OLT REGISTER (0x06)							
7	6	5	4	3	2	1	0
0	0	0	0	OLT3	OLT2	OLT1	OLT0

OLT(b3–b0): These four bits select the value of the delay time for overload with a default of 0000.

OLT(b3–b0) configuration bits with corresponding delay time

0000	1 ms	0100	9 ms	1000	17 ms	1100	25 ms
0001	3 ms	0101	11 ms	1001	19 ms	1101	27 ms
0010	5 ms	0110	13 ms	1010	21 ms	1110	29 ms
0011	7 ms	0111	15 ms	1011	23 ms	1111	31 ms

### SCC: Short Circuit in Charge Configuration Register

SCC REGISTER (0x07)							
7	6	5	4	3	2	1	0
SCCT3	SCCT2	SCCT1	SCCT0	SCCV3	SCCV2	SCCV1	SCCV0

This register selects the short-circuit threshold voltage and delay for charge.

SCC(b3–b0) : These bits select the value of the short-circuit voltage threshold with 0000 as the default.

SCC(b3–b0) with corresponding SC threshold voltage

0000	0.100 V	0100	0.200 V	1000	0.300 V	1100	0.400 V
0001	0.125 V	0101	0.225 V	1001	0.325 V	1101	0.425 V
0010	0.150 V	0110	0.250 V	1010	0.350 V	1110	0.450 V
0011	0.175 V	0111	0.275 V	1011	0.375 V	1111	0.475 V

SCC(b7–b4): These bits select the value of the short-circuit delay time. Exceeding the short-circuit voltage threshold for longer than this period turns off the corresponding CHG, DSG, and ZVCHG output. 0000 is the default.

SCC(b7–b4) with corresponding SC delay time

0000	0 $\mu$ s	0100	244 $\mu$ s	1000	488 $\mu$ s	1100	732 $\mu$ s
0001	61 $\mu$ s	0101	305 $\mu$ s	1001	549 $\mu$ s	1101	793 $\mu$ s
0010	122 $\mu$ s	0110	366 $\mu$ s	1010	610 $\mu$ s	1110	854 $\mu$ s
0011	183 $\mu$ s	0111	427 $\mu$ s	1011	671 $\mu$ s	1111	915 $\mu$ s

### SCD: Short Circuit in Discharge Configuration Register

SCD REGISTER (0x08)							
7	6	5	4	3	2	1	0
SCDT3	SCDT2	SCDT1	SCDT0	SCDV3	SCDV2	SCDV1	SCDV0

This register selects the short-circuit threshold voltage and delay for discharge.

SCD(b3–b0) with corresponding SC threshold voltage with 0000 as the default.

SCD(b3–b0): These bits select the value of the short-circuit voltage threshold

0000	0.10 V	0100	0.20 V	1000	0.30 V	1100	0.40 V
0001	0.125 V	0101	0.225 V	1001	0.325 V	1101	0.425 V
0010	0.150 V	0110	0.250 V	1010	0.350 V	1110	0.450 V
0011	0.175 V	0111	0.275 V	1011	0.375 V	1111	0.475 V

SCD(b7–b4): These bits select the value of the short-circuit delay time. Exceeding the short-circuit voltage threshold for longer than this period turns off the corresponding CHG, DSG, and ZVCHG output as has 0000 as the default.

SCD(b7–b4) with corresponding SC delay time

0000	0 $\mu$ s	0100	244 $\mu$ s	1000	488 $\mu$ s	1100	732 $\mu$ s
0001	61 $\mu$ s	0101	305 $\mu$ s	1001	549 $\mu$ s	1101	793 $\mu$ s
0010	122 $\mu$ s	0110	366 $\mu$ s	1010	610 $\mu$ s	1110	854 $\mu$ s
0011	183 $\mu$ s	0111	427 $\mu$ s	1011	671 $\mu$ s	1111	915 $\mu$ s

APPLICATION INFORMATION

Precharge and 0-V Charging—Theory of Operation

In order to charge, the charge FET (CHG-FET) must be turned on to create a current path. When the  $V_{(BAT)}$  is 0 V and CHG-FET = ON, the  $V_{(PACK)}$  is as low as the battery voltage. In this case, the supply voltage for the device is too low to operate. There are three possible configurations for this function and the bq29312A can be easily configured according to the application needs. The three modes are 0-V Charge FET Mode, Common FET Mode, and Precharge FET Mode.

1. 0-V Charge FET Mode – Dedicates a precharge current path using an additional FET (ZVCHG-FET) to sustain the PACK+ voltage level. The host charger is expected to provide a precharge function.
2. Common FET Mode – Does not use a dedicated precharge FET. The charge FET (CHG-FET) is assured to be set to ON state as default. The charger is expected to provide a precharge function.
3. Precharge FET Mode – Dedicates a precharge current path using an additional open-drain (OD) pin drive FET (PCHG-FET) FET to sustain the PACK+ voltage level. The charger does not provide any precharge function.

0-V Charge FET Mode

In this mode, a dedicated precharge current path using an additional FET (ZVCHG-FET) is required to sustain a suitable PACK+ voltage level. The charger is expected to provide the precharge function in this mode where the precharge current level is suitable to charge cells below a set level, typically below 3 V per cell. When the lowest cell voltage rises above this level, then a fast charging current is applied by the charger.

The circuit diagram for this method is shown in Figure 7, showing how the additional FET is added in parallel with the charge FET (CHG-FET).

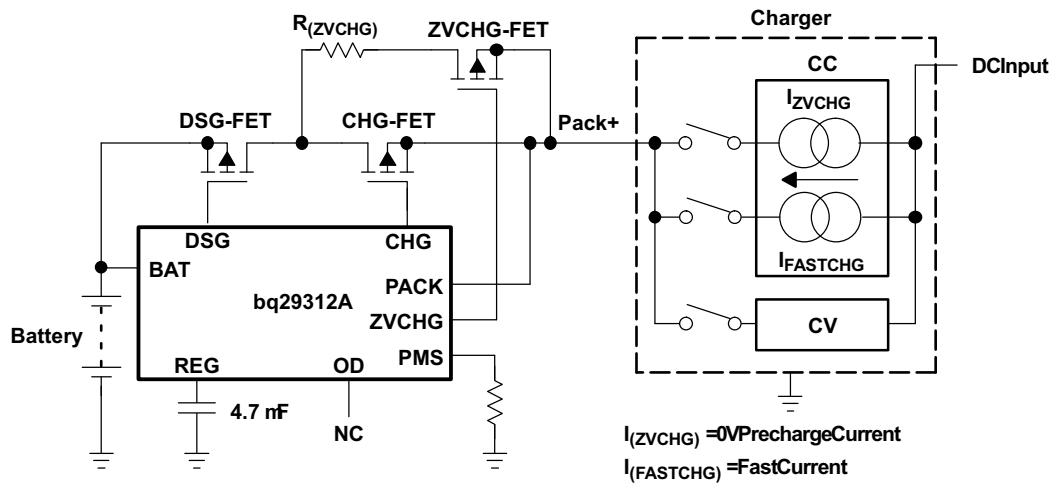
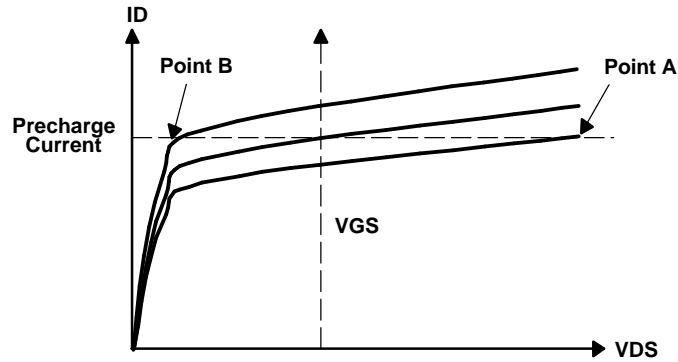


Figure 7. 0-V Charge FET Mode Circuit

## APPLICATION INFORMATION (continued)

In order to pass 0 V or precharge current, an appropriate gate-source voltage  $V_{(GS)}$ , for ZVCHG-FET must be applied. Here,  $V_{(PACK)}$  can be expressed in terms of  $V_{(GS)}$  as follows:

$$V_{(PACK)} = V_{(ZVCHG)} + V_{(GS)} \text{ (ZVCHG-FET gate - source voltage)}$$



**Figure 8. Drain Current vs Drain-Source Voltage Characteristics**

In the bq29312A, the initial state is for CHG-FET = OFF and ZVCHG-FET = ON with the  $V_{(ZVCHG)}$  clamped at 3.5 V initially. Then, the charger applies a constant current and raises  $V_{(PACK)}$  high enough to pass the precharge current, point A. For example, if the  $V_{(GS)}$  is 2 V at this point,  $V_{(PACK)}$  is 3.5 V + 2 V = 5.5 V. Also, the ZVCHG-FET is used in its MOS saturation region at this point so that  $V_{(DS)}$  is expressed as follows:

$$V_{(PACK)} = V_{(BAT)} + V_F + V_{DS(ZVCHG-FET)}$$

where  $V_F = 0.7$  V is the forward voltage of a DSG-FET back diode and is typically 0.7 V.

This derives the following equation:

$$V_{DS} = 4.8 \text{ V} - V_{(BAT)}$$

As the battery is charged  $V_{(BAT)}$  increases and the  $V_{(DS)}$  voltage decreases reaching its linear region. For example: If the linear region is 0.2 V, this state continues until  $V_{(BAT)} = 4.6$  V, (4.8 V - 0.2 V).

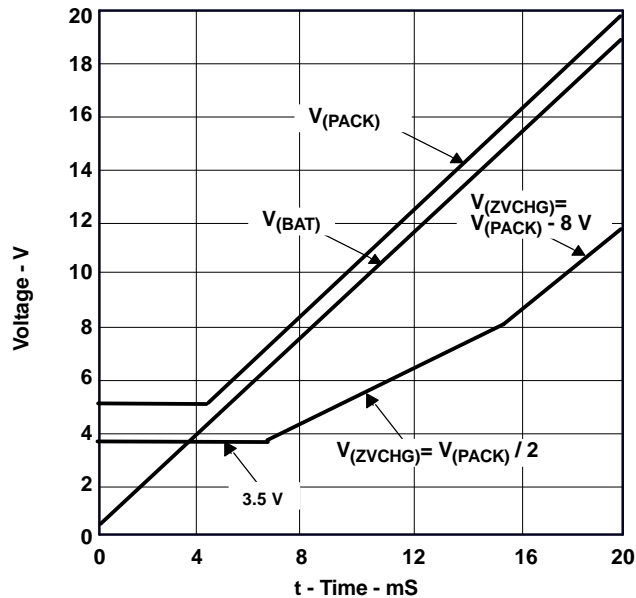
As  $V_{(BAT)}$  increases further,  $V_{(PACK)}$  and the  $V_{(GS)}$  voltage increase. But the  $V_{DS}$  remains at 0.2 V because the ZVCHG-FET is driven in its MOS linear region, point B.

$$V_{(PACK)} = V_F + 0.2 \text{ V} + V_{(BAT)}$$

where  $V_F = 0.7$  V is the forward voltage of a DSG-FET back diode and is typically 0.7 V

The  $R_{(ZVCHG)}$  purpose is to split heat dissipation across the ZVCHG-FET and the resistor.

ZVCHG pin behavior is shown in [Figure 9](#) where  $V_{(ZVCHG)}$  is set to 0 V at the beginning.

**APPLICATION INFORMATION (continued)****Figure 9. Voltage Transition at ZVCHG, PACK, and BAT**

As  $V_{(PACK)}$  exceeds 7 V,  $V_{(ZVCHG)} = V_{(PACK)}/2$ . However,  $V_{(ZVCHG)}$  is maintained to limit the voltage between PACK and ZVCHG at a maximum of 8 V(typ). This limitation is intended to avoid excessive voltage between the gate and the source of ZVCHG-FET.

The signal timing is shown in Figure 10. When precharge begins, ( $V_{(BAT)} = 0$  V)  $V_{(PACK)}$  is clamped to 3.5 V and holds the supply voltage for bq29312A operation. After  $V_{(BAT)}$  reaches sufficient voltage high enough for bq29312A operation, the CHG-FET and the DSG-FET are turned ON and ZVCHG-FET is turned OFF.

Although the current path is changed, the same precharging current is still applied. When  $V_{(BAT)}$  reaches the fast charging voltage (typical 3 V per cell), the charger switches into fast charging mode.



APPLICATION INFORMATION (continued)

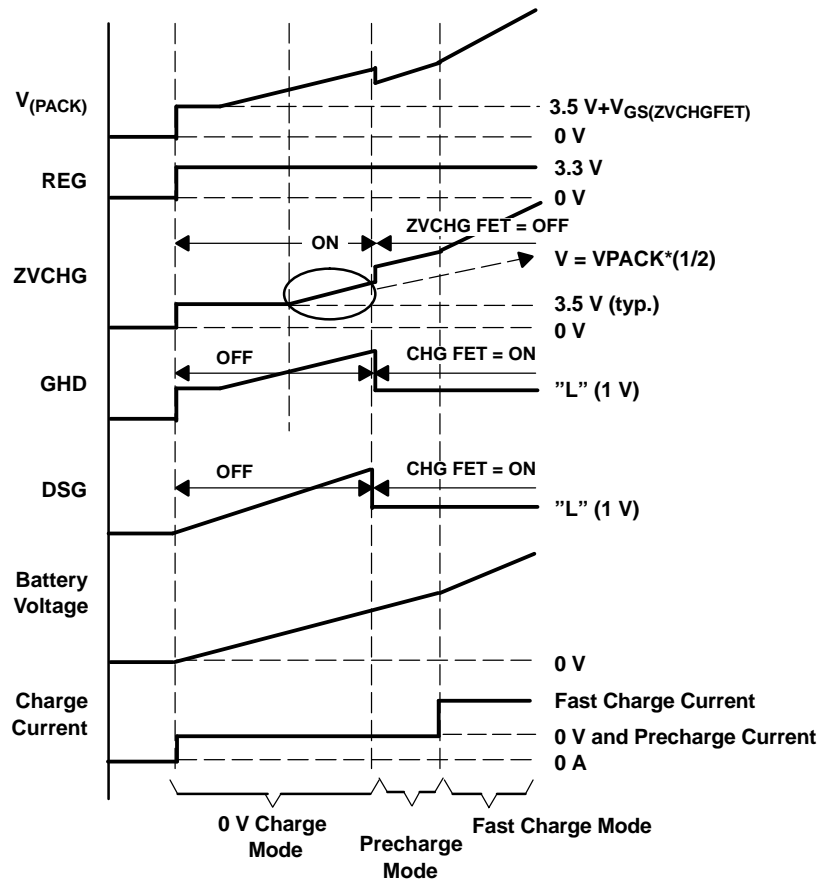


Figure 10. Signal Timing of Pins During 0-V Charging and Precharging (0-V Charge FET)

Common FET

This mode does not require a dedicated precharge FET (ZVCHG-FET). The charge FET (CHG-FET) is ON at initialization of the bq29312A when  $PMS = V_{(PACK)}$ , allowing for 0 V or precharge current to flow. The application circuit is shown in Figure 11. The charger is expected to provide the precharge function in this mode, where the charger provides a precharge current level suitable to charge cells below a set level, typically below 3 V per cell. When the lowest cell voltage rises above this level, then a fast charging current is applied.

When the charger is connected, the voltage at PMS rises. Once it is above 0.7 V, the CHG output is driven to GND which turns ON the CHG-FET. The charging current flows through the CHG-FET and a back diode of DSG-FET. The pack voltage is represented by the following equation.

$$V_{(PACK)} = V_{(BAT)} + V_F + V_{DS(CHG-FET)}$$

Where  $V_F = 0.7$  V is the forward voltage of a DSG-FET back diode and is typically 0.7 V.

While  $V_{(PACK)}$  is maintained above 0.7 V, the precharging current is maintained. While  $V_{(PACK)}$  and  $V_{(BAT)}$  are under the bq29312A supply voltage, then the bq29312A regulator is inactive and the host controller is not functional. Thus, any protection features of this chipset do not function during this period. This state continues until  $V_{(PACK)}$  goes higher than the bq29312A minimum supply voltage.

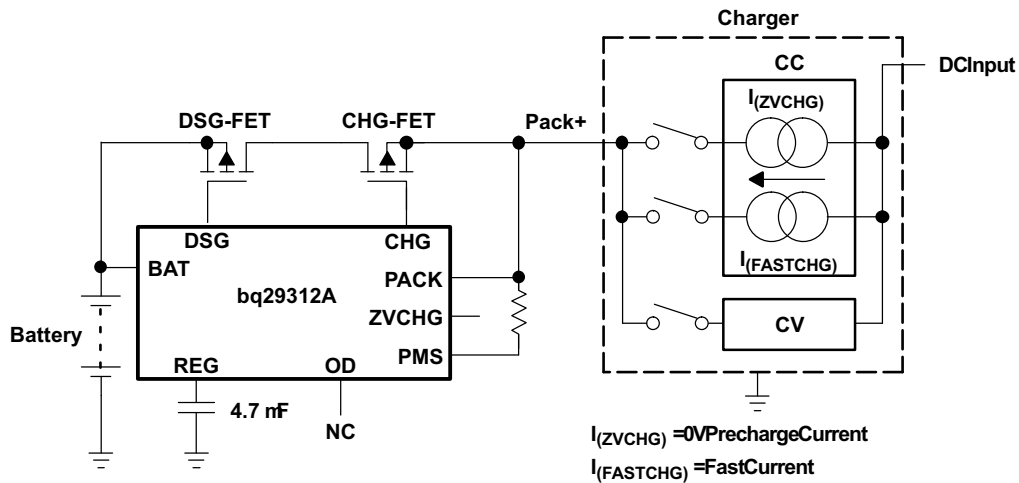
When  $V_{(BAT)}$  rises and  $V_{(PACK)}$  reaches bq29312A minimum supply voltage, the REG output is active providing a 3.3-V (typ) supply to the host. When this level is reached, the CHG pin changes its state from GND to the level controlled with CHG bit in bq29312A registers. In this state, the CHG output level is driven by a clamp circuit so that its voltage level changes from 0 V to 1 V. Also, the host controller is active and can turn ON the DSG-FET.

## APPLICATION INFORMATION (continued)

The disadvantage is that during 0-V charging, bq29312A is inactive. The device does not protect the battery and does not update battery information (now is 0 V charging) to the PC.

There are two advantages of this configuration:

1. The voltage between BAT and PACK is lower. Higher precharge current is allowed due to less heat loss in the FET, and no external resistor is required.
2. The charge FET is turned on during precharging. The precharge current can be fully controlled by the charger.



**Figure 11. Common FET Mode Circuit Diagram**

The signal timing during the common FET mode is shown in [Figure 12](#). The CHG-FET is turned on when the charger is connected. As  $V_{(BAT)}$  rises and  $V_{(PACK)}$  reaches the bq29312A minimum supply voltage, the REG output becomes active and the host controller starts to work.

When  $V_{(PACK)}$  becomes high enough, the host controller turns ON the DSG-FET. The charger enters the fast charging mode when  $V_{(BAT)}$  reaches the fast charge level.

APPLICATION INFORMATION (continued)

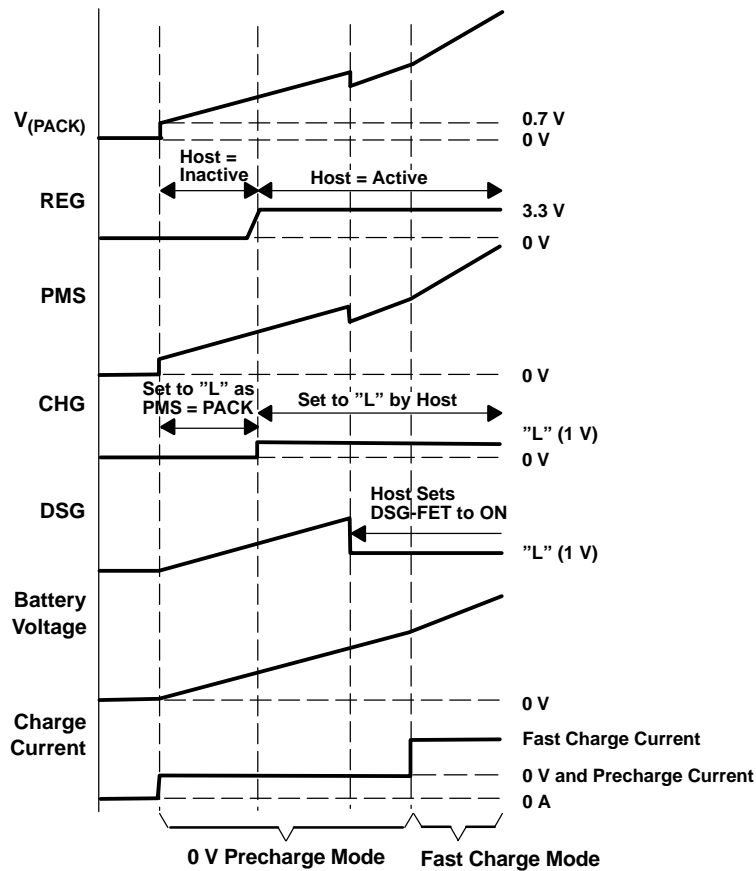


Figure 12. Signal Timing of Pins During 0-V Charging and Precharging (Common FET)

Precharge FET

This mode has a dedicated precharge current path using an additional open drain driven FET (PCHG-FET) and sustains the  $V_{(PACK)}$  level. In this mode, where the PMS input is connected to GND, the bq29312A and host combine to provide the precharge function by limiting the fast charge current which is provided by the system side charger.

Figure 13 shows the bq29312A application circuit in this mode.

APPLICATION INFORMATION (continued)

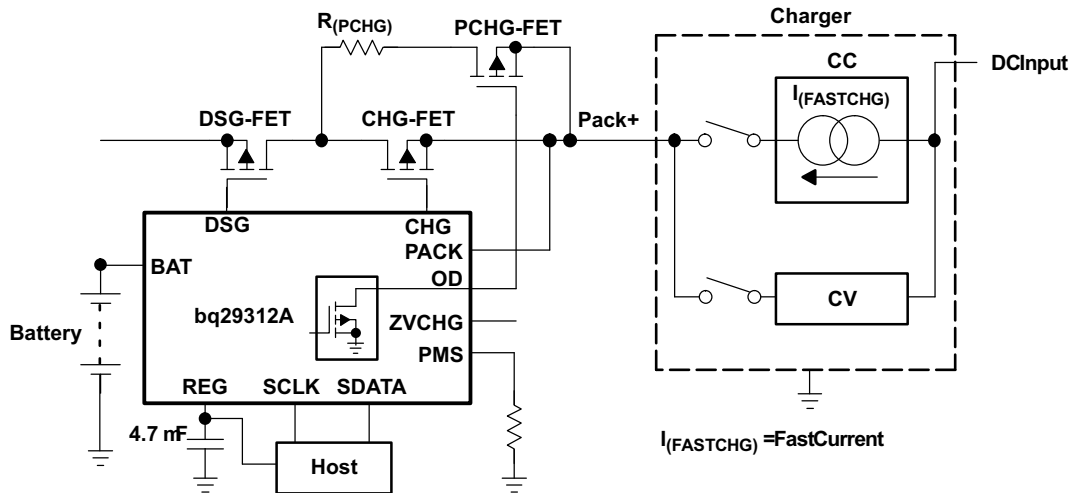


Figure 13. Precharge FET Mode Circuit Diagram

The PCHG-FET is driven by the OD output, and the resistor  $R_{(PCHG)}$  in the precharge path limits the precharge current. When  $OD = GND$ , then the PCHG-FET is ON. The precharge current is represented by the following equation:

$$I_{(PCHG)} = ID = (V_{(PACK)} - V_{(BAT)} - V_{DS}) / R_{(PCHG)}$$

- A load curve of the PCHG-FET is shown in Figure 14. When the drain-source voltage ( $V_{DS}$ ) is high enough, the PCHG-FET operates in the linear region and has low resistance. By approximating  $V_{DS}$  as 0 V, the precharge current,  $I_{(PCHG)}$  is expressed as below.
- $I_{(PCHG)} = (V_{(PACK)} - V_{(BAT)}) / R_{(PCHG)}$

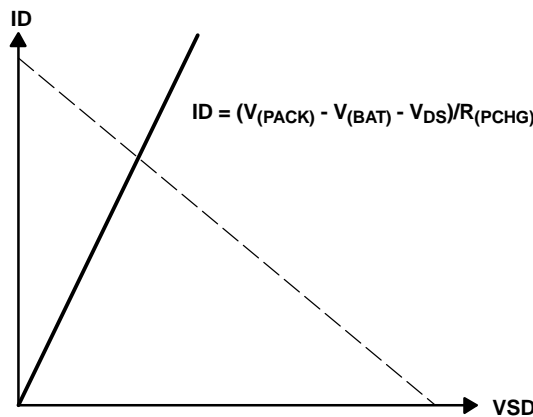


Figure 14. PCHG-FET ID—VDS Characteristic

During the precharge phase, CHG-FET is turned OFF and PCHG-FET is turned ON. When all the cell voltages measured by the host reach the fast charge threshold, the host controller turns ON CHG-FET and turns OFF PCHG-FET. The signal timing is shown in Figure 15.

When the charger is connected, CHG-FET, DSG-FET and PCHG-FET are already in the OFF state. When the charger is connected, it applies  $V_{(PACK)}$ . The bq29312A REG output then becomes active and supplies power to the host controller. As the host controller starts up, it turns on the OD pin and the precharge current is enabled.

## APPLICATION INFORMATION (continued)

In this configuration, attention must be paid to high power consumption in the PCHG-FET and the series resistor  $R_{(PCHG)}$ . The highest power is consumed when  $V_{BAT} = 0\text{ V}$ , where it is the highest differential between the PACK and BAT pins. For example, the power consumption in 4-series cells with 17.4 V fast charge voltage and  $R_{(PCHG)} = 188\ \Omega$  is expressed below.

- $I_{PCHG} = (17.4\text{ V} - 0.0\text{ V})/188\ \Omega = 92.6\text{ mA}$
- $17.4\text{ V} \times 92.6\text{ mA} = 1.61\text{ W}$

An optional solution is to combine a thermistor with a resistor to create  $R_{(PCHG)}$ ; therefore, as temperature increases, the current reduces.

Once the lowest cell voltage reaches the fast charge level (typ 3.0 V per cell), the host controller turns ON CHG-FET and DSG-FET, and turns OFF PCHG-FET.

It is also appropriate to turn on DSG-FET during precharge in order to supply precharge current efficiently, as shown in Figure 15.

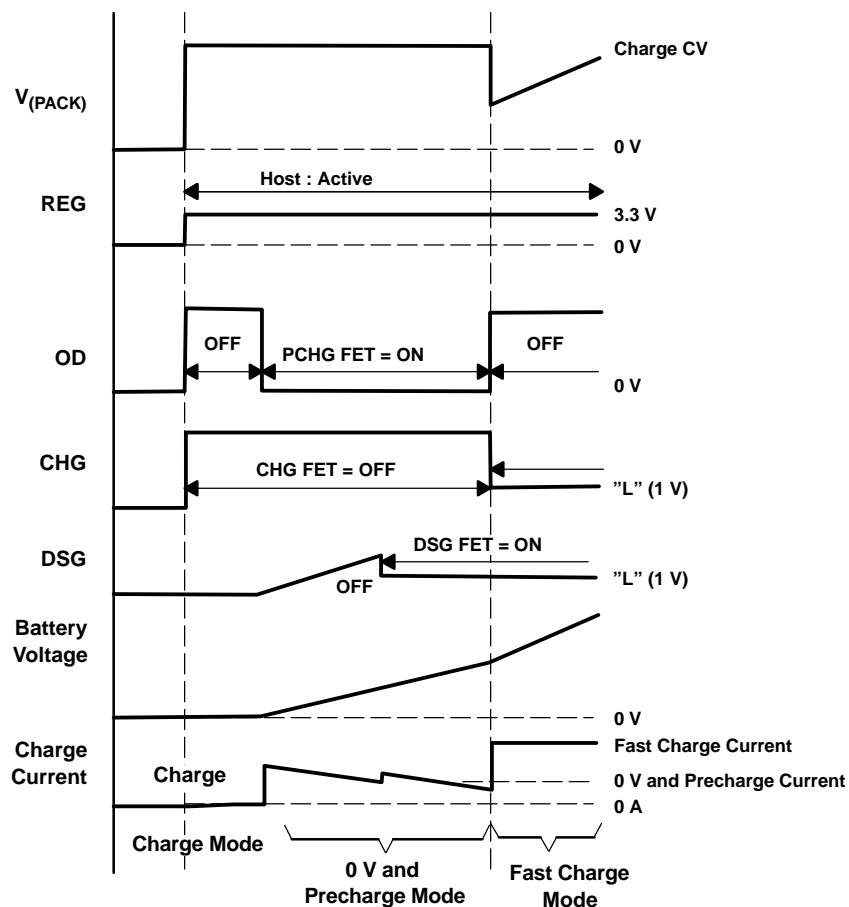


Figure 15. Signal Timing of Pins During 0-V Charging and Precharging (Precharge FET)

## APPLICATION INFORMATION (continued)

### Summary

The three types of 0-V charge options available with the bq29312A are summarized in [Table 4](#).

**Table 4. Charge Options**

CHARGE MODE TYPE	HOST CHARGE CAPABILITIES	KEY APPLICATION CIRCUIT NOTES
1) 0-V Charge FET	Fast charge and precharge	PMS = GND ZVCHG: Drives 0-V charge FET (ZVCHG-FET) OD: Not used
2) Common FET	Fast charge and precharge	PMS = PACK ZVCHG: Not used OD: Not used
3) Precharge FET	Fast charge but no precharge function	PMS = GND ZVCHG: Not used OD: Drives the precharge FET (PCHG-FET)

There are a number of tradeoffs between the various 0-V charge modes which are discussed as follows:

- **0-V Charge FET (1) vs Common FET (2)**

When the charger has both precharge and charging functions, two types of circuit configuration are available.

1. 0-V Charge FET – The bq29312A is active even during precharge. Therefore, the host can update the battery status to the system and protect the battery pack by detecting abnormal conditions.
  - A high voltage is applied on the 0-V charge FET at 0-V cell voltage. In order to avoid excessive heat generation, the 0-V charge current must be limited.
2. Common FET – During 0-V charge the bq29312A and the host are not active. Therefore, they cannot protect the cells and cannot update the battery status to the system.
  - The bq29312A can tolerate high 0-V charge current as heat generation is not excessive.
  - A dedicated FET for the 0-V charge is not required.

- **0-V Charge FET (1) vs Precharge FET (3)**

The current paths of the 0-V charge FET (1) and Precharge FET (3) modes are the same. If the 0-V charge FET (1) mode is used with chargers without precharge function, the bq29312A consumes extra current of up to 1 mA in order to turn ON the ZVCHG output.

1. If the charger has a precharge function, ZVCHG-FET is turned ON only during 0-V charging. In this case, a 1-mA increase is not a concern because the charger is connected during the 0-V charging period.
2. If the charger does not have precharge function, the ZVCHG-FET must be turned ON during 0-V charging and also precharging. When the battery reaches an overdischarged state, it must turn OFF DSG-FET and CHG-FET and turn ON ZVCHG-FET. The reason for this is the battery must keep the 0-V charge path while waiting for a charger to be connected to limit the current.
  - Consuming 1 mA, while waiting for a charger to be connected in overdischarge state, is significant if compared to current consumption of other modes.

- **Precharge FET (3)**

If the precharge FET (3) mode is used with a charger with precharge function, care must be taken as limiting the 0-V charge current with resistance may cause some issues. The charger may start fast charge immediately, or detect an abnormal condition.

When the charger is connected, the charger may raise the output voltage to force the precharge current. In order to ensure a supply voltage for the bq29312A during 0-V charging, the resistance of a series resistor ( $R_{PCHG}$ ) must be high enough. This may result in a high  $V_{PACK}$ , and some chargers may detect it as an abnormal condition.

**PACKAGING INFORMATION**

Orderable Device	Status <sup>(1)</sup>	Package Type	Package Drawing	Pins	Package Qty	Eco Plan <sup>(2)</sup>	Lead/Ball Finish	MSL Peak Temp <sup>(3)</sup>
BQ29312APW	ACTIVE	TSSOP	PW	24	60	Green (RoHS & no Sb/Br)	CU NIPDAU	Level-1-260C-UNLIM
BQ29312APWG4	ACTIVE	TSSOP	PW	24	60	Green (RoHS & no Sb/Br)	CU NIPDAU	Level-1-260C-UNLIM
BQ29312APWR	ACTIVE	TSSOP	PW	24	2000	Green (RoHS & no Sb/Br)	CU NIPDAU	Level-1-260C-UNLIM
BQ29312APWRG4	ACTIVE	TSSOP	PW	24	2000	Green (RoHS & no Sb/Br)	CU NIPDAU	Level-1-260C-UNLIM
BQ29312ARTHR	ACTIVE	VQFN	RTH	24	3000	Green (RoHS & no Sb/Br)	CU NIPDAUAG	Level-2-260C-1 YEAR
BQ29312ARTHRG4	ACTIVE	VQFN	RTH	24	3000	Green (RoHS & no Sb/Br)	CU NIPDAUAG	Level-2-260C-1 YEAR

<sup>(1)</sup> The marketing status values are defined as follows:

**ACTIVE:** Product device recommended for new designs.

**LIFEBUY:** TI has announced that the device will be discontinued, and a lifetime-buy period is in effect.

**NRND:** Not recommended for new designs. Device is in production to support existing customers, but TI does not recommend using this part in a new design.

**PREVIEW:** Device has been announced but is not in production. Samples may or may not be available.

**OBSOLETE:** TI has discontinued the production of the device.

<sup>(2)</sup> Eco Plan - The planned eco-friendly classification: Pb-Free (RoHS), Pb-Free (RoHS Exempt), or Green (RoHS & no Sb/Br) - please check <http://www.ti.com/productcontent> for the latest availability information and additional product content details.

**TBD:** The Pb-Free/Green conversion plan has not been defined.

**Pb-Free (RoHS):** TI's terms "Lead-Free" or "Pb-Free" mean semiconductor products that are compatible with the current RoHS requirements for all 6 substances, including the requirement that lead not exceed 0.1% by weight in homogeneous materials. Where designed to be soldered at high temperatures, TI Pb-Free products are suitable for use in specified lead-free processes.

**Pb-Free (RoHS Exempt):** This component has a RoHS exemption for either 1) lead-based flip-chip solder bumps used between the die and package, or 2) lead-based die adhesive used between the die and leadframe. The component is otherwise considered Pb-Free (RoHS compatible) as defined above.

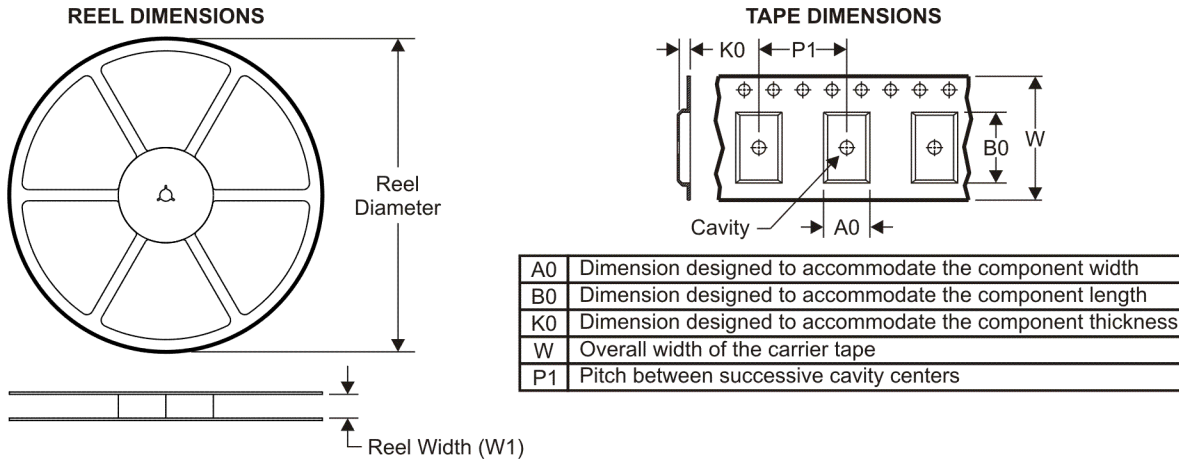
**Green (RoHS & no Sb/Br):** TI defines "Green" to mean Pb-Free (RoHS compatible), and free of Bromine (Br) and Antimony (Sb) based flame retardants (Br or Sb do not exceed 0.1% by weight in homogeneous material)

<sup>(3)</sup> MSL, Peak Temp. -- The Moisture Sensitivity Level rating according to the JEDEC industry standard classifications, and peak solder temperature.

**Important Information and Disclaimer:** The information provided on this page represents TI's knowledge and belief as of the date that it is provided. TI bases its knowledge and belief on information provided by third parties, and makes no representation or warranty as to the accuracy of such information. Efforts are underway to better integrate information from third parties. TI has taken and continues to take reasonable steps to provide representative and accurate information but may not have conducted destructive testing or chemical analysis on incoming materials and chemicals. TI and TI suppliers consider certain information to be proprietary, and thus CAS numbers and other limited information may not be available for release.

In no event shall TI's liability arising out of such information exceed the total purchase price of the TI part(s) at issue in this document sold by TI to Customer on an annual basis.

**TAPE AND REEL INFORMATION**



**QUADRANT ASSIGNMENTS FOR PIN 1 ORIENTATION IN TAPE**



\*All dimensions are nominal

Device	Package Type	Package Drawing	Pins	SPQ	Reel Diameter (mm)	Reel Width W1 (mm)	A0 (mm)	B0 (mm)	K0 (mm)	P1 (mm)	W (mm)	Pin1 Quadrant
BQ29312APWR	TSSOP	PW	24	2000	330.0	16.4	6.95	8.3	1.6	8.0	16.0	Q1
BQ29312ARTH	VQFN	RTH	24	3000	330.0	12.4	4.25	4.25	1.15	8.0	12.0	Q2



**TAPE AND REEL BOX DIMENSIONS**

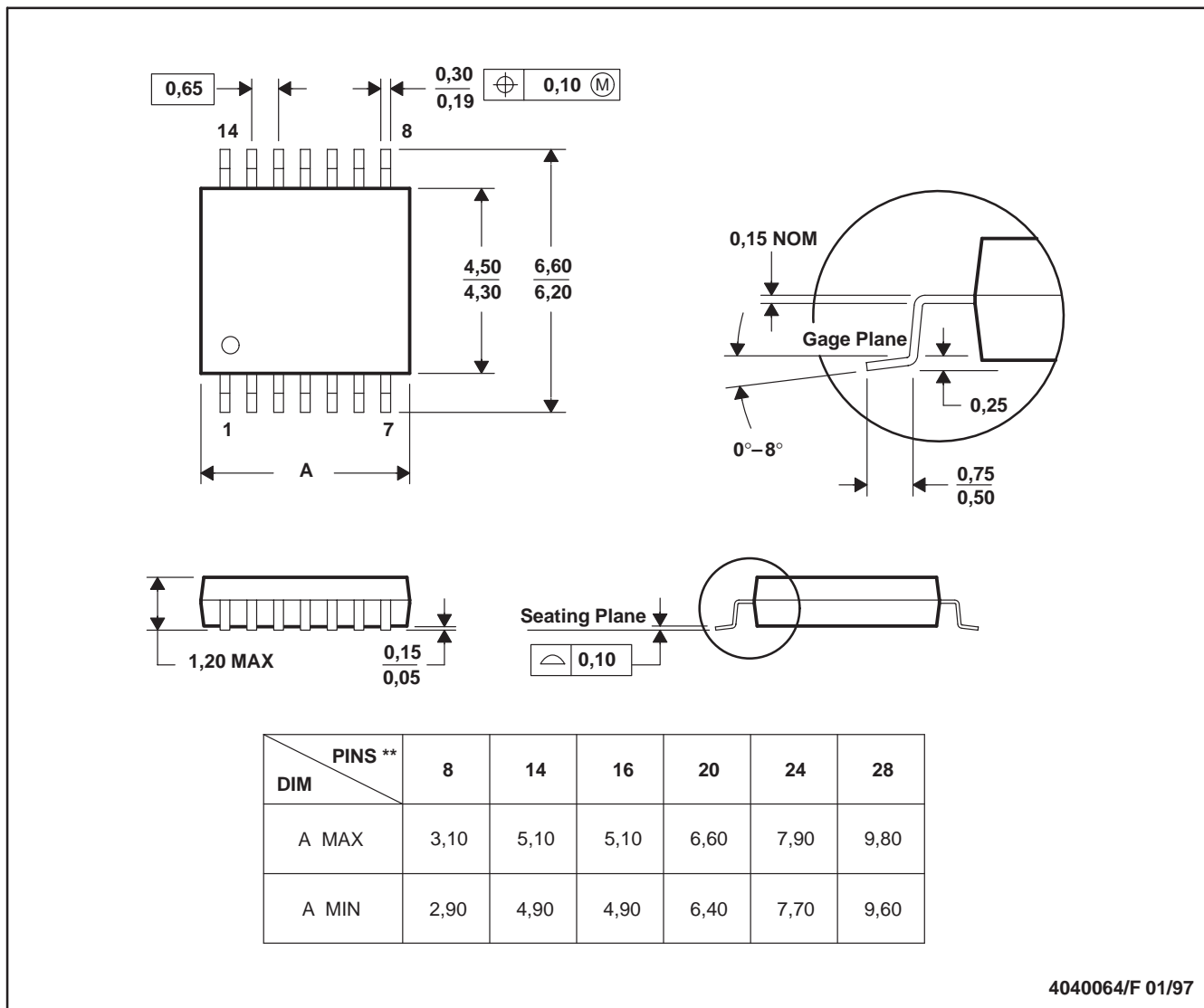

\*All dimensions are nominal

Device	Package Type	Package Drawing	Pins	SPQ	Length (mm)	Width (mm)	Height (mm)
BQ29312APWR	TSSOP	PW	24	2000	346.0	346.0	33.0
BQ29312ARTHR	VQFN	RTH	24	3000	346.0	346.0	29.0

PW (R-PDSO-G\*\*)

PLASTIC SMALL-OUTLINE PACKAGE

14 PINS SHOWN

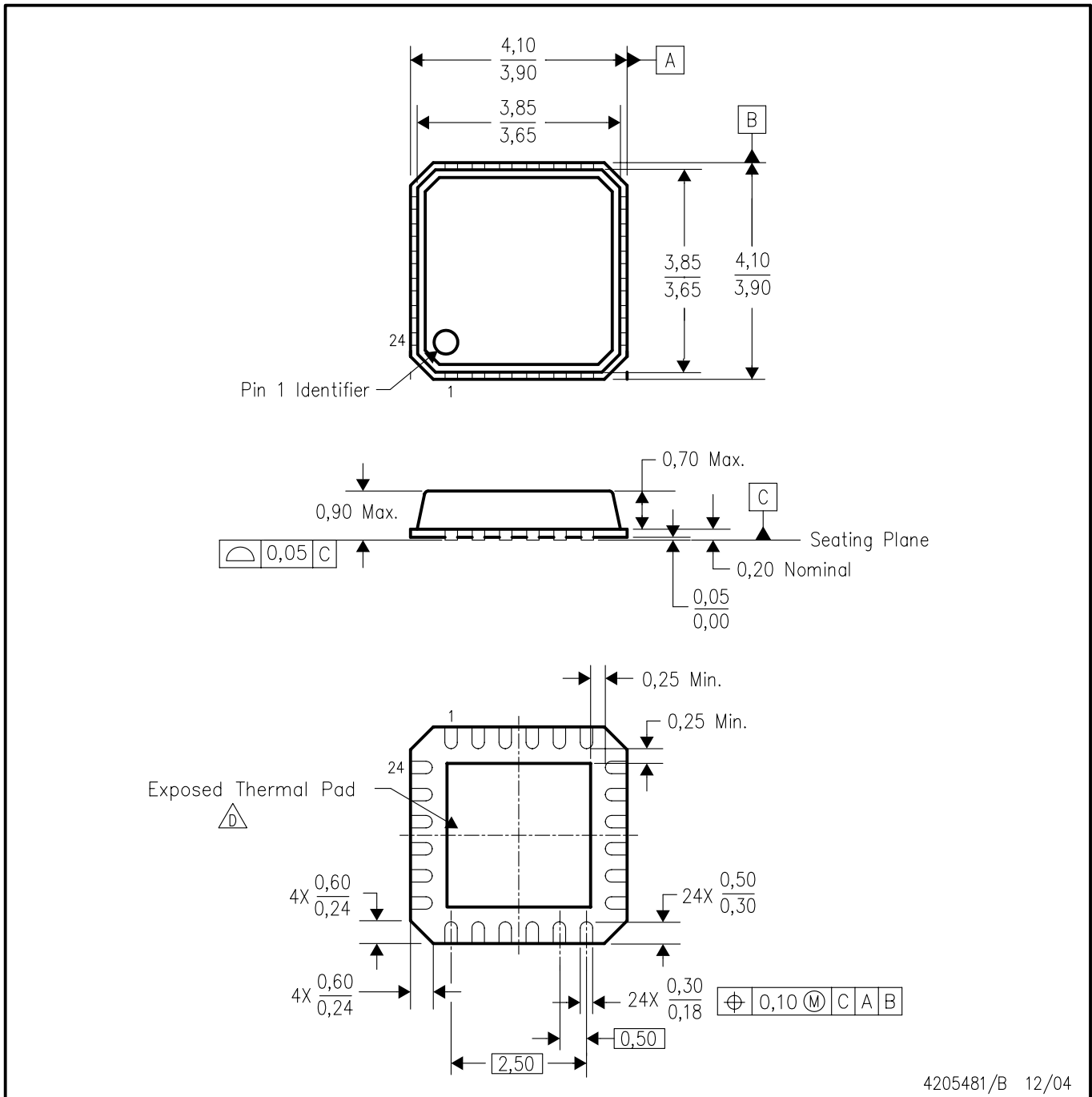


4040064/F 01/97


- NOTES: A. All linear dimensions are in millimeters.  
 B. This drawing is subject to change without notice.  
 C. Body dimensions do not include mold flash or protrusion not to exceed 0,15.  
 D. Falls within JEDEC MO-153

RTH (S-PQFP-N24)

PLASTIC QUAD FLATPACK



4205481/B 12/04

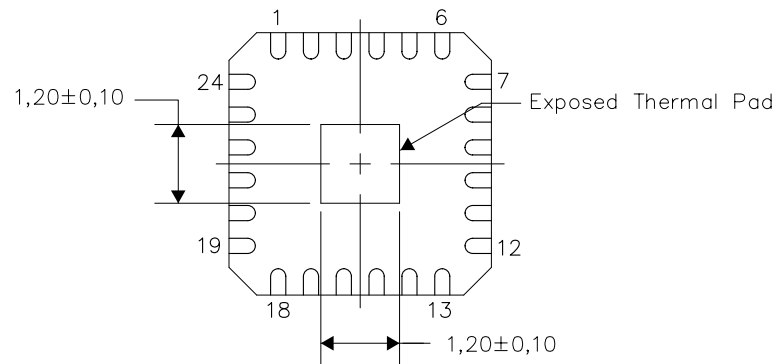
- NOTES:
- A. All linear dimensions are in millimeters. Dimensioning and tolerancing per ASME Y14.5M-1994.
  - B. This drawing is subject to change without notice.
  - C. QFN (Quad Flatpack No-Lead) Package configuration.
  -  D. The package thermal pad must be soldered to the board for thermal and mechanical performance. See the Product Data Sheet for details regarding the exposed thermal pad dimensions.

THERMAL INFORMATION

This package incorporates an exposed thermal pad that is designed to be attached directly to an external heatsink. The thermal pad must be soldered directly to the printed circuit board (PCB). After soldering, the PCB can be used as a heatsink. In addition, through the use of thermal vias, the thermal pad can be attached directly to the appropriate copper plane shown in the electrical schematic for the device, or alternatively, can be attached to a special heatsink structure designed into the PCB. This design optimizes the heat transfer from the integrated circuit (IC).

For information on the Quad Flatpack No-Lead (QFN) package and its advantages, refer to Application Report, Quad Flatpack No-Lead Logic Packages, Texas Instruments Literature No. SCBA017. This document is available at [www.ti.com](http://www.ti.com).

The exposed thermal pad dimensions for this package are shown in the following illustration.



Bottom View

NOTE: All linear dimensions are in millimeters

Exposed Thermal Pad Dimensions

## IMPORTANT NOTICE

Texas Instruments Incorporated and its subsidiaries (TI) reserve the right to make corrections, modifications, enhancements, improvements, and other changes to its products and services at any time and to discontinue any product or service without notice. Customers should obtain the latest relevant information before placing orders and should verify that such information is current and complete. All products are sold subject to TI's terms and conditions of sale supplied at the time of order acknowledgment.

TI warrants performance of its hardware products to the specifications applicable at the time of sale in accordance with TI's standard warranty. Testing and other quality control techniques are used to the extent TI deems necessary to support this warranty. Except where mandated by government requirements, testing of all parameters of each product is not necessarily performed.

TI assumes no liability for applications assistance or customer product design. Customers are responsible for their products and applications using TI components. To minimize the risks associated with customer products and applications, customers should provide adequate design and operating safeguards.

TI does not warrant or represent that any license, either express or implied, is granted under any TI patent right, copyright, mask work right, or other TI intellectual property right relating to any combination, machine, or process in which TI products or services are used. Information published by TI regarding third-party products or services does not constitute a license from TI to use such products or services or a warranty or endorsement thereof. Use of such information may require a license from a third party under the patents or other intellectual property of the third party, or a license from TI under the patents or other intellectual property of TI.

Reproduction of TI information in TI data books or data sheets is permissible only if reproduction is without alteration and is accompanied by all associated warranties, conditions, limitations, and notices. Reproduction of this information with alteration is an unfair and deceptive business practice. TI is not responsible or liable for such altered documentation. Information of third parties may be subject to additional restrictions.

Resale of TI products or services with statements different from or beyond the parameters stated by TI for that product or service voids all express and any implied warranties for the associated TI product or service and is an unfair and deceptive business practice. TI is not responsible or liable for any such statements.

TI products are not authorized for use in safety-critical applications (such as life support) where a failure of the TI product would reasonably be expected to cause severe personal injury or death, unless officers of the parties have executed an agreement specifically governing such use. Buyers represent that they have all necessary expertise in the safety and regulatory ramifications of their applications, and acknowledge and agree that they are solely responsible for all legal, regulatory and safety-related requirements concerning their products and any use of TI products in such safety-critical applications, notwithstanding any applications-related information or support that may be provided by TI. Further, Buyers must fully indemnify TI and its representatives against any damages arising out of the use of TI products in such safety-critical applications.

TI products are neither designed nor intended for use in military/aerospace applications or environments unless the TI products are specifically designated by TI as military-grade or "enhanced plastic." Only products designated by TI as military-grade meet military specifications. Buyers acknowledge and agree that any such use of TI products which TI has not designated as military-grade is solely at the Buyer's risk, and that they are solely responsible for compliance with all legal and regulatory requirements in connection with such use.

TI products are neither designed nor intended for use in automotive applications or environments unless the specific TI products are designated by TI as compliant with ISO/TS 16949 requirements. Buyers acknowledge and agree that, if they use any non-designated products in automotive applications, TI will not be responsible for any failure to meet such requirements.

Following are URLs where you can obtain information on other Texas Instruments products and application solutions:

### Products

Amplifiers	<a href="http://amplifier.ti.com">amplifier.ti.com</a>
Data Converters	<a href="http://dataconverter.ti.com">dataconverter.ti.com</a>
DLP® Products	<a href="http://www.dlp.com">www.dlp.com</a>
DSP	<a href="http://dsp.ti.com">dsp.ti.com</a>
Clocks and Timers	<a href="http://www.ti.com/clocks">www.ti.com/clocks</a>
Interface	<a href="http://interface.ti.com">interface.ti.com</a>
Logic	<a href="http://logic.ti.com">logic.ti.com</a>
Power Mgmt	<a href="http://power.ti.com">power.ti.com</a>
Microcontrollers	<a href="http://microcontroller.ti.com">microcontroller.ti.com</a>
RFID	<a href="http://www.ti-rfid.com">www.ti-rfid.com</a>
RF/IF and ZigBee® Solutions	<a href="http://www.ti.com/lprf">www.ti.com/lprf</a>

### Applications

Audio	<a href="http://www.ti.com/audio">www.ti.com/audio</a>
Automotive	<a href="http://www.ti.com/automotive">www.ti.com/automotive</a>
Broadband	<a href="http://www.ti.com/broadband">www.ti.com/broadband</a>
Digital Control	<a href="http://www.ti.com/digitalcontrol">www.ti.com/digitalcontrol</a>
Medical	<a href="http://www.ti.com/medical">www.ti.com/medical</a>
Military	<a href="http://www.ti.com/military">www.ti.com/military</a>
Optical Networking	<a href="http://www.ti.com/opticalnetwork">www.ti.com/opticalnetwork</a>
Security	<a href="http://www.ti.com/security">www.ti.com/security</a>
Telephony	<a href="http://www.ti.com/telephony">www.ti.com/telephony</a>
Video & Imaging	<a href="http://www.ti.com/video">www.ti.com/video</a>
Wireless	<a href="http://www.ti.com/wireless">www.ti.com/wireless</a>

Mailing Address: Texas Instruments, Post Office Box 655303, Dallas, Texas 75265  
Copyright © 2009, Texas Instruments Incorporated