

bq26231EVM-001
Single Cell Battery Monitor Evaluation Module

User's Guide

IMPORTANT NOTICE

Texas Instruments Incorporated and its subsidiaries (TI) reserve the right to make corrections, modifications, enhancements, improvements, and other changes to its products and services at any time and to discontinue any product or service without notice. Customers should obtain the latest relevant information before placing orders and should verify that such information is current and complete. All products are sold subject to TI's terms and conditions of sale supplied at the time of order acknowledgment.

TI warrants performance of its hardware products to the specifications applicable at the time of sale in accordance with TI's standard warranty. Testing and other quality control techniques are used to the extent TI deems necessary to support this warranty. Except where mandated by government requirements, testing of all parameters of each product is not necessarily performed.

TI assumes no liability for applications assistance or customer product design. Customers are responsible for their products and applications using TI components. To minimize the risks associated with customer products and applications, customers should provide adequate design and operating safeguards.

TI does not warrant or represent that any license, either express or implied, is granted under any TI patent right, copyright, mask work right, or other TI intellectual property right relating to any combination, machine, or process in which TI products or services are used. Information published by TI regarding third-party products or services does not constitute a license from TI to use such products or services or a warranty or endorsement thereof. Use of such information may require a license from a third party under the patents or other intellectual property of the third party, or a license from TI under the patents or other intellectual property of TI.

Reproduction of information in TI data books or data sheets is permissible only if reproduction is without alteration and is accompanied by all associated warranties, conditions, limitations, and notices. Reproduction of this information with alteration is an unfair and deceptive business practice. TI is not responsible or liable for such altered documentation.

Resale of TI products or services with statements different from or beyond the parameters stated by TI for that product or service voids all express and any implied warranties for the associated TI product or service and is an unfair and deceptive business practice. TI is not responsible or liable for any such statements.

Mailing Address:

Texas Instruments
Post Office Box 655303
Dallas, Texas 75265

Copyright © 2002, Texas Instruments Incorporated

EVM IMPORTANT NOTICE

Texas Instruments (TI) provides the enclosed product(s) under the following conditions:

This evaluation kit being sold by TI is intended for use for **ENGINEERING DEVELOPMENT OR EVALUATION PURPOSES ONLY** and is not considered by TI to be fit for commercial use. As such, the goods being provided may not be complete in terms of required design-, marketing-, and/or manufacturing-related protective considerations, including product safety measures typically found in the end product incorporating the goods. As a prototype, this product does not fall within the scope of the European Union directive on electromagnetic compatibility and therefore may not meet the technical requirements of the directive.

Should this evaluation kit not meet the specifications indicated in the EVM User's Guide, the kit may be returned within 30 days from the date of delivery for a full refund. **THE FOREGOING WARRANTY IS THE EXCLUSIVE WARRANTY MADE BY SELLER TO BUYER AND IS IN LIEU OF ALL OTHER WARRANTIES, EXPRESSED, IMPLIED, OR STATUTORY, INCLUDING ANY WARRANTY OF MERCHANTABILITY OR FITNESS FOR ANY PARTICULAR PURPOSE.**

The user assumes all responsibility and liability for proper and safe handling of the goods. Further, the user indemnifies TI from all claims arising from the handling or use of the goods. Please be aware that the products received may not be regulatory compliant or agency certified (FCC, UL, CE, etc.). Due to the open construction of the product, it is the user's responsibility to take any and all appropriate precautions with regard to electrostatic discharge.

EXCEPT TO THE EXTENT OF THE INDEMNITY SET FORTH ABOVE, NEITHER PARTY SHALL BE LIABLE TO THE OTHER FOR ANY INDIRECT, SPECIAL, INCIDENTAL, OR CONSEQUENTIAL DAMAGES.

TI currently deals with a variety of customers for products, and therefore our arrangement with the user **is not exclusive**.

TI assumes **no liability for applications assistance, customer product design, software performance, or infringement of patents or services described herein**.

Please read the EVM User's Guide and, specifically, the EVM Warnings and Restrictions notice in the EVM User's Guide prior to handling the product. This notice contains important safety information about temperatures and voltages. For further safety concerns, please contact the TI application engineer.

Persons handling the product must have electronics training and observe good laboratory practice standards.

No license is granted under any patent right or other intellectual property right of TI covering or relating to any machine, process, or combination in which such TI products or services might be or are used.

Mailing Address:

Texas Instruments
Post Office Box 655303
Dallas, Texas 75265

Copyright © 2002, Texas Instruments Incorporated

EVM WARNINGS AND RESTRICTIONS

It is important to operate this EVM within the input voltage range of 2.8–5.5 V and the output voltage range of 2.8–5.5 V.

Exceeding the specified input range may cause unexpected operation and/or irreversible damage to the EVM. If there are questions concerning the input range, please contact a TI field representative prior to connecting the input power.

Applying loads outside of the specified output range may result in unintended operation and/or possible permanent damage to the EVM. Please consult the EVM User's Guide prior to connecting any load to the EVM output. If there is uncertainty as to the load specification, please contact a TI field representative.

During normal operation, some circuit components may have case temperatures greater than 70°C. The EVM is designed to operate properly with certain components above 70°C as long as the input and output ranges are maintained. These components include but are not limited to linear regulators, switching transistors, pass transistors, and current sense resistors. These types of devices can be identified using the EVM schematic located in the EVM User's Guide. When placing measurement probes near these devices during operation, please be aware that these devices may be very warm to the touch.

Mailing Address:

Texas Instruments
Post Office Box 655303
Dallas, Texas 75265

Copyright © 2002, Texas Instruments Incorporated

Contents

1	Introduction	1-1
1.1	Features	1-2
1.2	Kit Contents	1-2
1.3	Ordering Information	1-2
2	Circuit Module	2-1
2.1	Pin Descriptions	2-2
2.2	Schematic	2-2
2.3	Board Layout	2-3
2.4	Bill of Materials	2-5
2.5	Performance Specifications	2-5
3	EVM Hardware and Software Setup	3-1
3.1	Software Installation	3-2
3.2	Hardware Connection	3-2
3.2.1	Connecting the bq26231EVM-001 Circuit Module to a Battery Pack	3-2
3.2.2	PC Interface Connection	3-3
4	Operation	4-1
4.1	Software Installation	4-2
4.2	Starting the Program	4-2
4.3	Software Instructions	4-4
4.3.1	bq26231 Registers Screen	4-4
4.3.2	Graphs Screen	4-4
4.3.3	Read/Write Regs Screen	4-5
4.3.4	Setup Screen	4-5
4.4	Data Logging	4-8

Figures

2-1	bq26231EVM-001 Schematic	2-2
2-2	bq26231EVM-001 Circuit Module Layout	2-3
3-1	bq26231EVM-001 Circuit Module Connection to Cells and System Load/Charger	3-2
4-1	Initial Register Screen	4-3
4-2	Loading Screen That Shows the Board Detection Is Failing	4-4
4-3	Graph Screen	4-5
4-4	Read/Write Regs. Screen	4-6
4-5	Setup Screen	4-7
4-6	Data Logging Screen	4-8
4-7	Example of Data Logged Screen	4-9

Tables

1-1	Ordering Information	1-2
2-1	Bill of Materials	2-5
2-2	Performance Specification Summary	2-5
3-1	Circuit Module-to-EV2200 Connection	3-3

Introduction

The bq26231EVM-001 is a complete evaluation system for the battery monitoring IC bq26231. The EVM includes one bq26231 circuit module, an EV2200 PC interface board for gas-gauge evaluation, a PC serial cable, and Windows-based PC software. The circuit module includes one bq26231 and all other components onboard necessary to monitor capacity and other critical parameters in a one-cell Li-Ion battery pack. The circuit module connects directly across the cell in a battery. With the EV2200 interface board and EV2200-231 software, the user can read the bq26231 data registers and evaluate the functions of the bq26231 under different charge and discharge conditions.

Topic	Page
1.1 Features	1-2
1.2 Kit Contents	1-2
1.3 Ordering Information	1-2

1.1 Features

- Complete evaluation system for the bq26231 battery monitor IC
- Populated circuit module for quick setup
- PC software and interface board for easy evaluation
- Software that allows data logging for system analysis

1.2 Kit Contents

- bq26231 circuit module with sense resistor
- EV2200 PC interface board
- Set of evaluation software disks entitled EV220–231
- PC serial cable
- Set of support documentation

1.3 Ordering Information

Table 1–1. Ordering Information

EVM Part Number	Additional ICs	Chemistry	Pack Voltage	Capacity
bq26231EVM–001	None	Li-Ion/NiMH/NiCd	2.8–5.5 V	Any

Circuit Module

The bq26231EVM-001 based circuit module is a complete and compact example of a circuit for battery monitoring of a single-cell Li-Ion pack. The circuit module incorporates a bq26231 battery monitor IC and all other components necessary to accurately protect and monitor the charge and discharge of single Li-Ion cell. This EVM can also be used for 3-series NiMH applications.

Contacts on the circuit module provide direct connection to the cell, serial communications port, system load, and charger.

Topic	Page
2.1 Pin Descriptions	2-2
2.2 Schematic	2-2
2.3 Board Layout	2-3
2.4 Bill of Materials	2-5
2.5 Performance Specifications	2-5

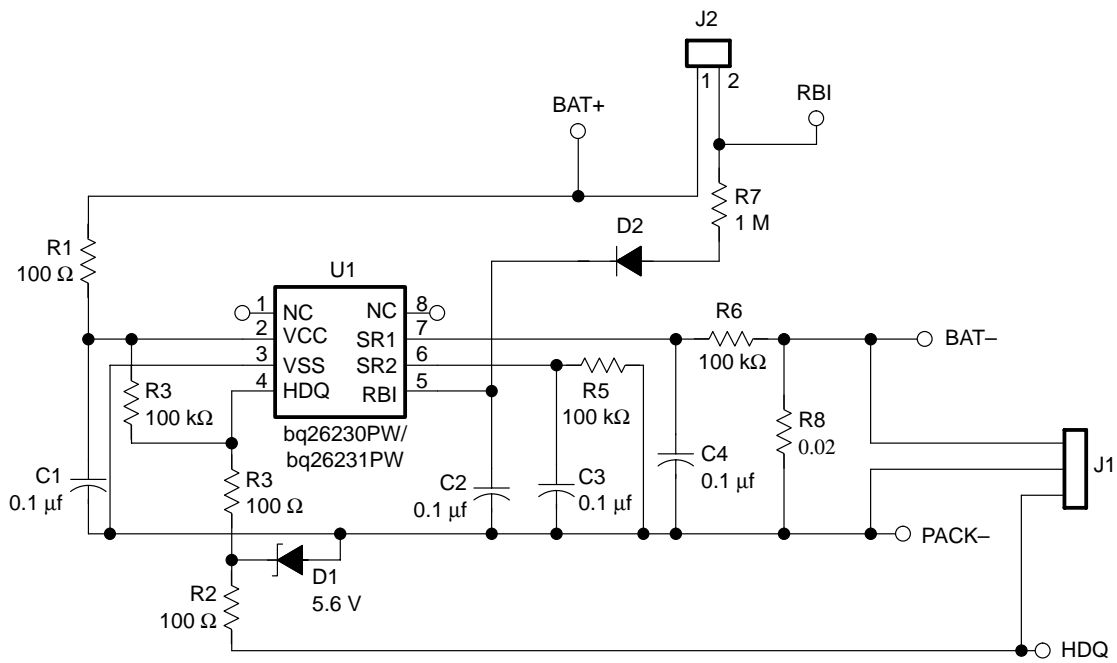
2.1 Pin Descriptions

BAT+	Cell positive/pack positive (PACK+)
BAT_	Cell negative
PACK-	Pack negative
HDQ	Serial communications port
RBI	Register backup input

2.2 Schematic

Figure 2–1 is the bq26231EVM-001 (SLUP148) circuit module schematic diagram.

Figure 2–1. bq26231EVM-001 Schematic



2.3 Board Layout

Figure 2-2 shows the PCB layers and assembly drawing for the bq26231EVM-001 circuit module (SLUP148).

Figure 2-2. bq26231EVM-001 Circuit Module Layout

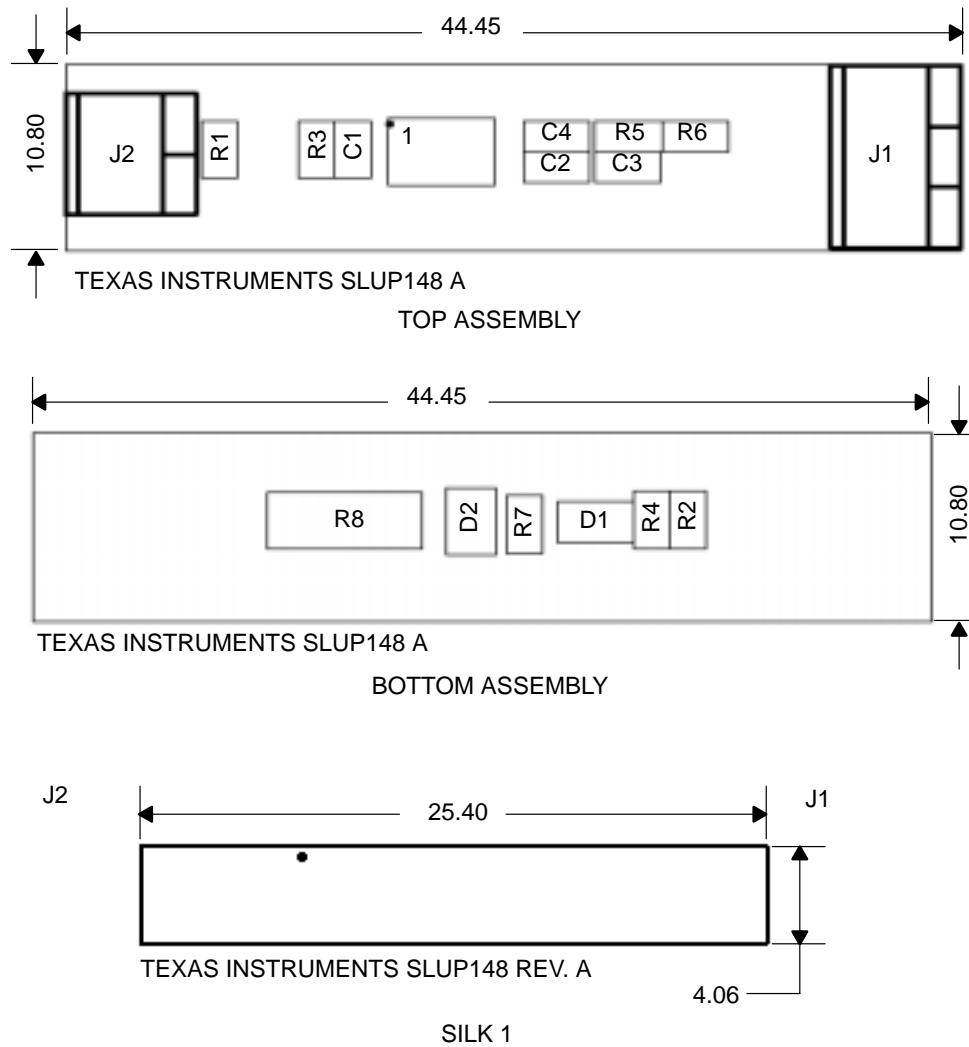
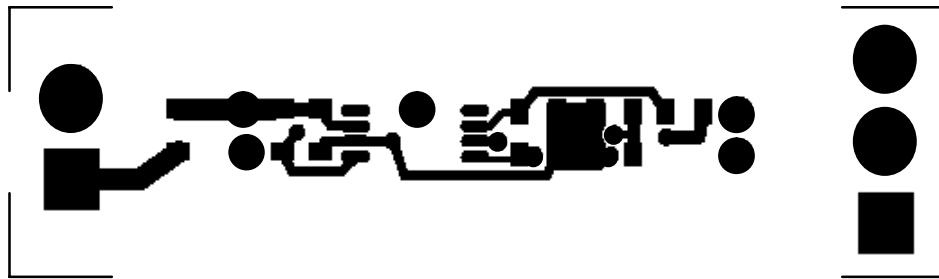
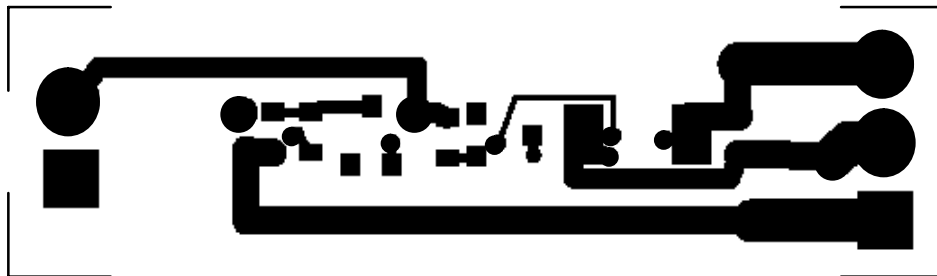


Figure 2–2. bq26231EVM-001 Circuit Module Layout (Continued)



TEXAS INSTRUMENTS SLUP148 REV. A

LAYER 1



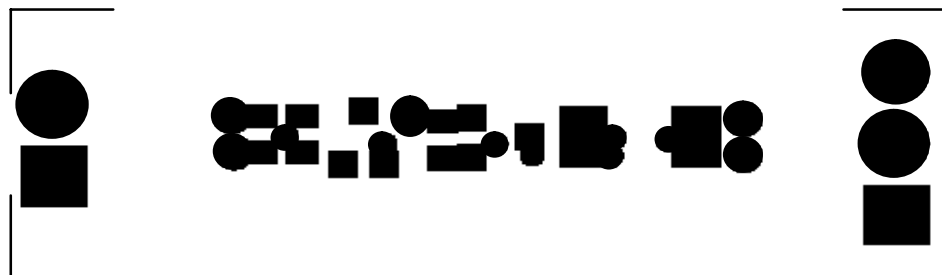
TEXAS INSTRUMENTS SLUP148 REV. A

LAYER 2



TEXAS INSTRUMENTS SLUP148 REV. A

MASK 1



TEXAS INSTRUMENTS SLUP148 REV. A

MASK 2

2.4 Bill of Materials

Table 2–1 lists materials required for the bq26231EVM-001 circuit module.

Table 2–1. Bill of Materials

Ref Des	Qty-002	Description	MFG	MFG Part No.	Size
PCB	1	Printed circuit board, 0.031, FR4, SMOBC, HASI	Any		See FAB DWG
Terminal	2	Terminal block 3,5 mm	On Shore	ED555/2DS	3,5 mm × 2
C1, C2, C3, C4	4	Capacitor, ceramic, 0.1 μ F, 16 V, \pm 10%, X7R	Panasonic	ECJ-1VB1C1104K	603
R1	1	Resistor, 1 M Ω , 1/16 W, 5%	Panasonic	ERJ-3GSYJ105	603
R8	1	Resistor, 0.020 Ω , 1/2 W, 1%	IRC	LR2010-01-R020-F	2010
R3, R5, R6	3	Resistor, 100 k Ω , 1/16 W, 5%	Panasonic	ERJ-3GSYJ104	603
R1, R2, R4	3	Resistor, 100 Ω , 1/16 W, 5%	Venkel	ERJ-3GSYJ101	603
D1	1	Diode, zener, 5.6 V	Zetex	BZX84C5V6	SOT-23
D2	1	Diode, 1N914	Diode Inc.	MMBD914	SOT-23
U1	1	Integrated circuit, gas gauge, bq26231PW	Benchmark/TI	bq26231PW	TSSOP-8
Component count	18				

Assembly Notes:

- 1) This assembly is ESD sensitive.
- 2) This assembly must comply with IPC-A-610 class 2 or better.
- 3) This assembly must be clean of flux residues and contaminants.
- 4) Use of no clean flux is not acceptable.

2.5 Performance Specifications

Table 2–2 summarizes the performance specifications of the bq26231EVM-001 circuit module (SLUP148). Table 2–2 gives the performance specifications of the circuit.

Table 2–2. Performance Specification Summary

Specification	MIN	TYP	MAX	UNIT
Input voltage BAT+/BAT–	2.8		5.5	V
Charge and discharge current			4	A

Note: Charge and discharge current: maximums are limited by the PCB design and power dissipation of the 20-m Ω , 0.5-W sense resistor on the PCB.



EVM Hardware and Software Setup

This section describes how to install the EV2200-231 PC software and how to connect the components of the EVM.

Topic	Page
3.1 Software Installation	3-2
3.2 Hardware Connection	3-2

3.1 Software Installation

The following steps install the EV2200–231 software:

- 1) Insert disk 1 into a 3 1/2 inch floppy drive.
- 2) Select the 3 1/2 inch drive using My Computer or Windows Explorer.
- 3) Double-click the Setup.exe icon.
- 4) The setup program prompts for the remaining disks and installs a Windows application group.

3.2 Hardware Connection

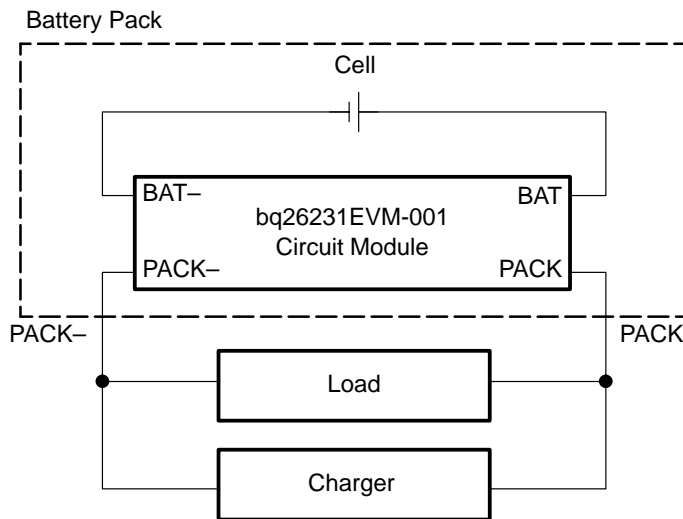
There are three hardware components to the bq26231EVM-001:

- 1) bq26231EVM-001 circuit module
- 2) EV2200 PC interface board
- 3) PC

3.2.1 Connecting the bq26231EVM-001 Circuit Module to a Battery Pack

Figure 3–1 shows how to connect the bq26231EVM-001 circuit module to a Li-Ion cell and the system load/charger.

Figure 3–1. bq26231EVM-001 Circuit Module Connection to Cells and System Load/Charger



3.2.2 PC Interface Connection

The following steps configure the hardware for interface to the PC:

- 1) Connect bq26231EVM-001 to the EV2200 using wire leads as shown in Table 3–1.

Table 3–1. Circuit Module-to-EV2200 Connection

bq26231 Based Battery	EV2200
HDQ	SMBD/HDQ1
PACK–	VSS

- 2) Connect the PC serial cable to the EV2200 and the PC COM port.

The bq26231EVM–001 is now set up for operation.



Operation

This chapter details the installation operation of the EVM2200-231 software.

Topic	Page
4.1 Software Installation	4-2
4.2 Starting the Program	4-2
4.3 Software Instructions	4-4
4.4 Data Logging	4-8

4.1 Software Installation

The following steps install the EV2200–231 software:

- 1) Insert disk 1 into a 3 1/2 inch floppy drive.
- 2) Select the 3 1/2 inch drive using My Computer or Windows Explorer.
- 3) Double-click the Setup.exe icon.
- 4) The setup program prompts for the remaining disks and installs a Windows application group.

4.2 Starting the Program

The installation process creates an icon labeled *EV2200-231*. Find this icon and double-click it. Run this EV2200-231 from the Start|Programs|Texas Instruments menu sequence. The software defaults to PC com port 1 for communication. The evaluation software loads in 3 to 10 seconds, depending on the speed of the PC. During this time the EV2200 software is testing the communications to the EV2200. The subsequent message indicates the board status. After the communications port is detected, the software displays the bq26231 Registers screen. See Figure 4–1.

If bq26231 Registers screen is not displayed, then the software is not communicating with the EV2200 interface board. In such case, you will see a window as in Figure 4–2 when you first clicked on the EV2200-231 icon, which indicates that the serial link is not connected correctly. Secure the serial cable connection at the EV2200 and the PC and check with the computer manual to verify the com port selection. Once an appropriate com port is selected, the program loads the initial register screen.

Figure 4–1. Initial Register Screen

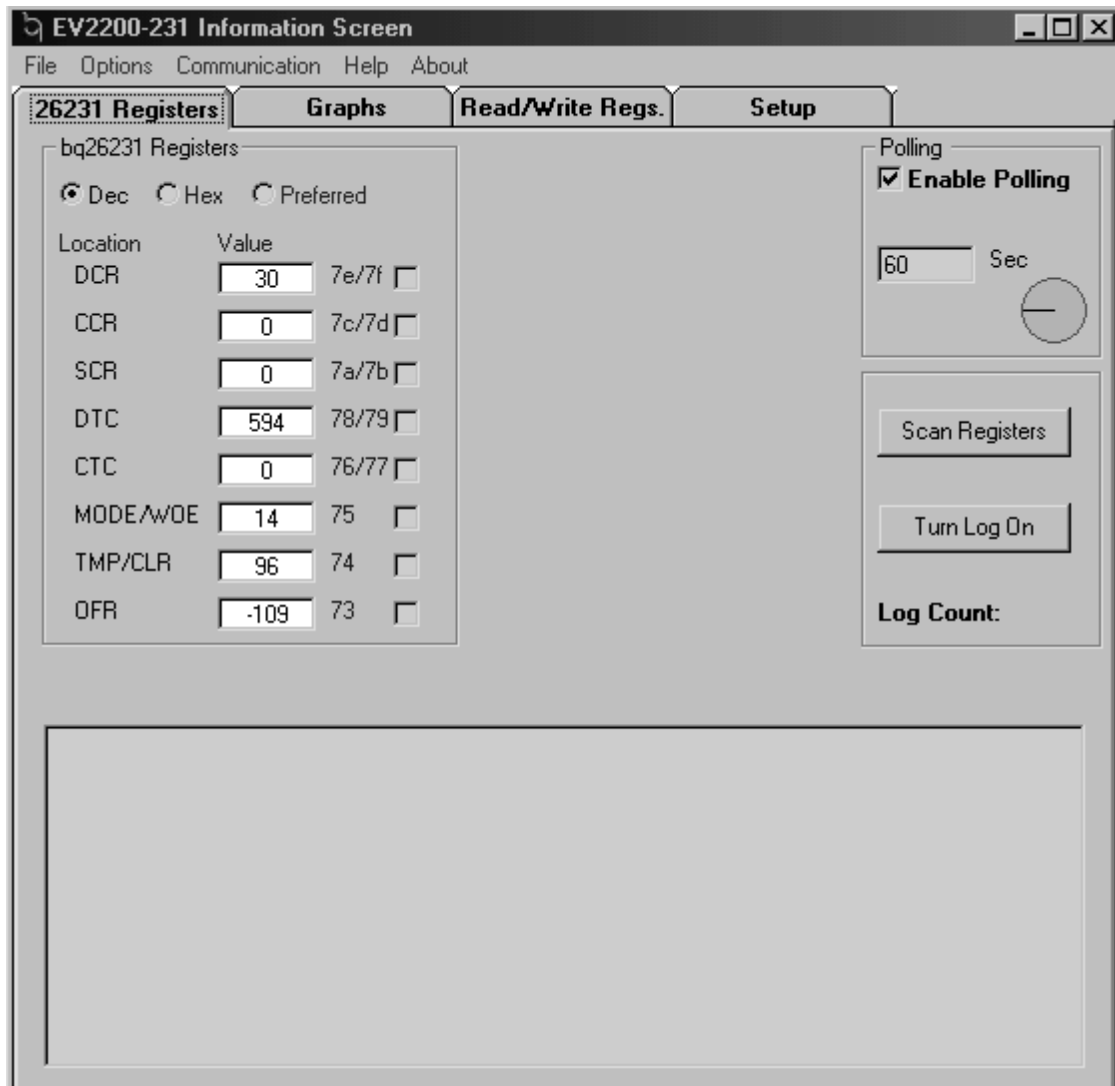
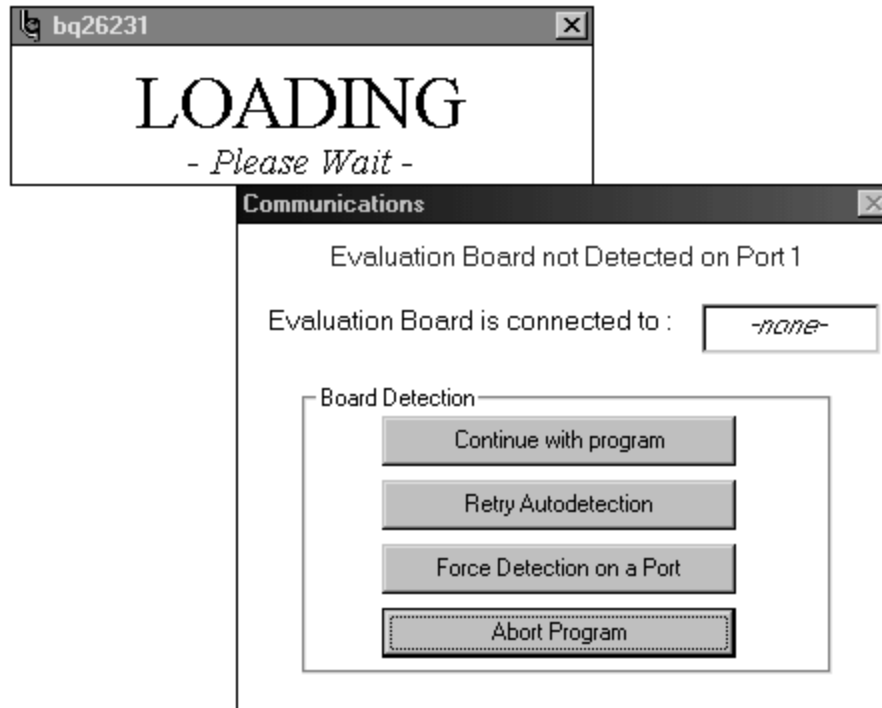


Figure 4–2. Loading Screen That Shows the Board Detection Is Failing



4.3 Software Instructions

When the software is running, you can select 4 tabs: 26231 Registers, Graphs, Read/Write Regs., and Setup.

4.3.1 bq26231 Registers Screen

The register section at the top of this screen is common to the Graphs and the Read/Write Regs. tabs. In the register display section, each of the allocated bq26231 registers can be viewed in hexadecimal (Hex) or decimal (Dec). To update each register, click Scan Registers. This can be made automatic by checking the Enable Polling box. The period of each scan is set in the timing box provided beneath the automatic polling check boxes. The bottom of this screen shows the data being collected when the data logging is active. Click the Turn Log On button and follow the instructions on the screen to activate this function. See Figure 4–1.

4.3.2 Graphs Screen

Below the register set display on this tab is shown a graph. The user chooses the data for this graph by checking the appropriate box on the right of the register desired. Any of the registers can be displayed, as many together as the user desires. An example of the Graph feature is shown in Figure 4–3.

4.3.3 Read/Write Regs Screen

The function of this tab is to allow the user to program any of the data registers, counters, and control registers within the bq26231. Use the memory map in the bq26231 data sheet for a guide to their individual uses. Simply enter the address and any data (for writes), and click the appropriate button. The control registers show the binary version below the address and data entry boxes to indicate the state of the device at that time. See Figure 4–4.

4.3.4 Setup Screen

You can format the graph axis here. After the correct settings have been entered, you can save the settings by clicking the Write Settings to File button. See Figure 4–5.

Figure 4–3. Graph Screen

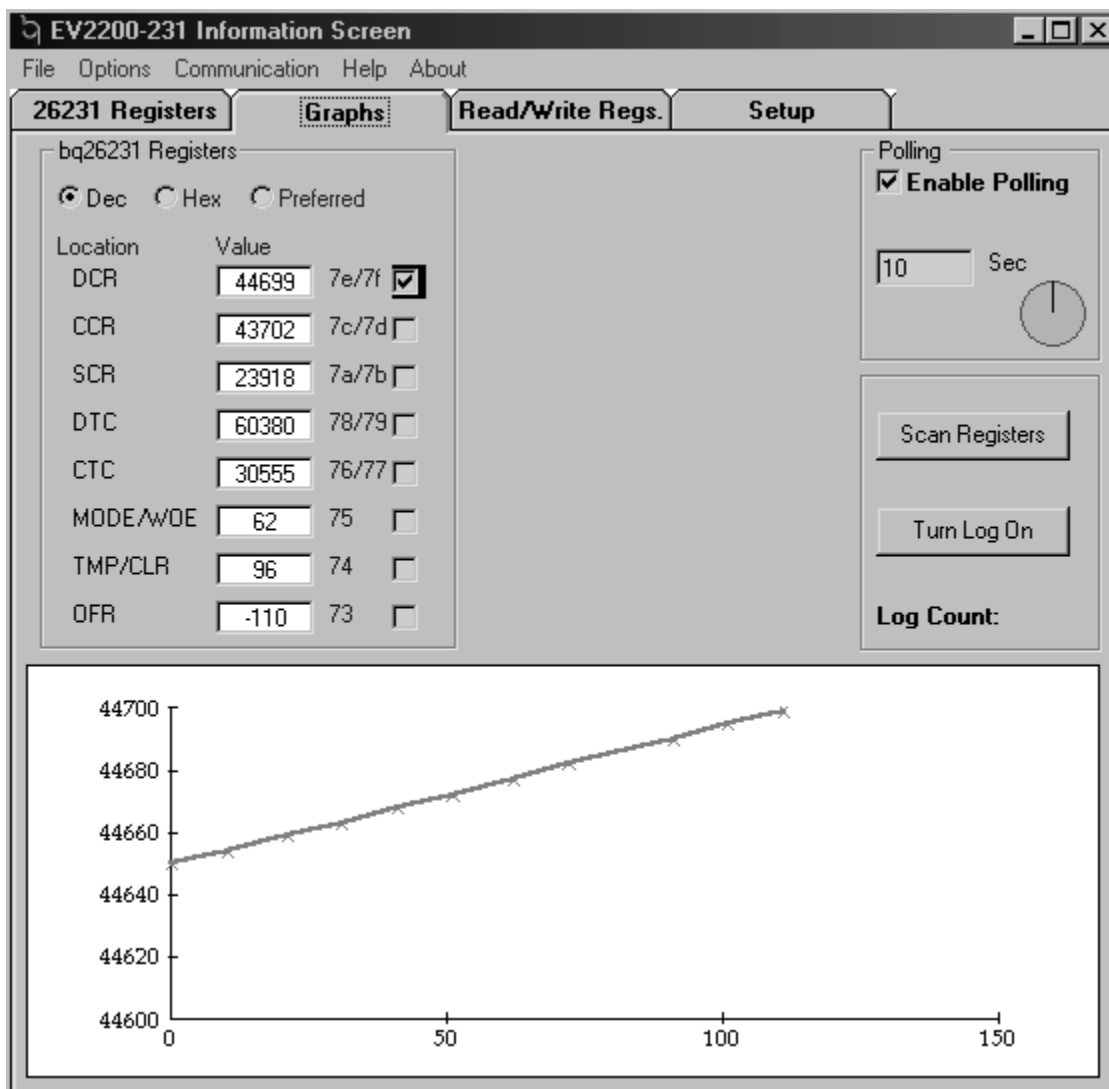


Figure 4-4. Read/Write Regs. Screen

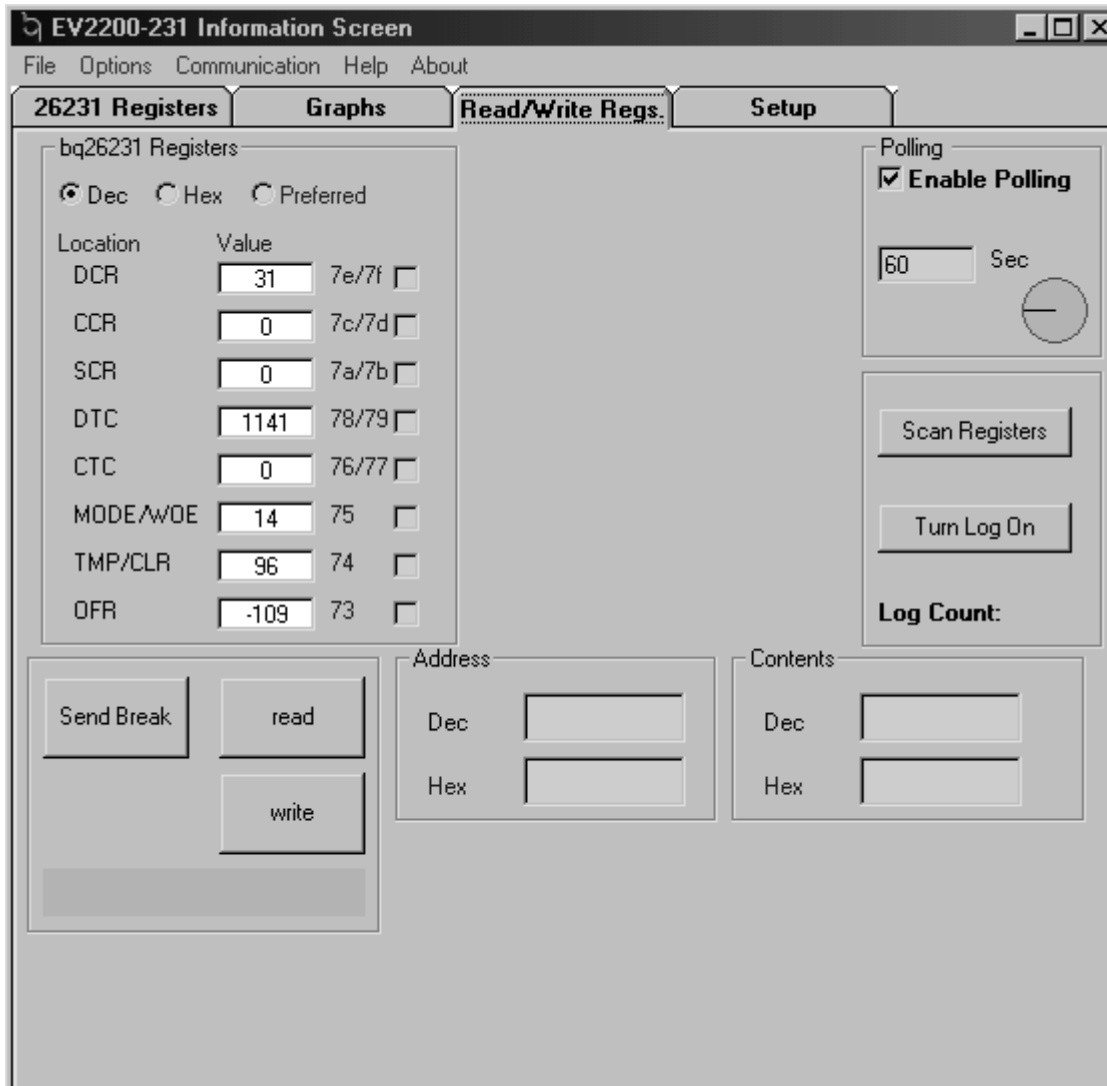
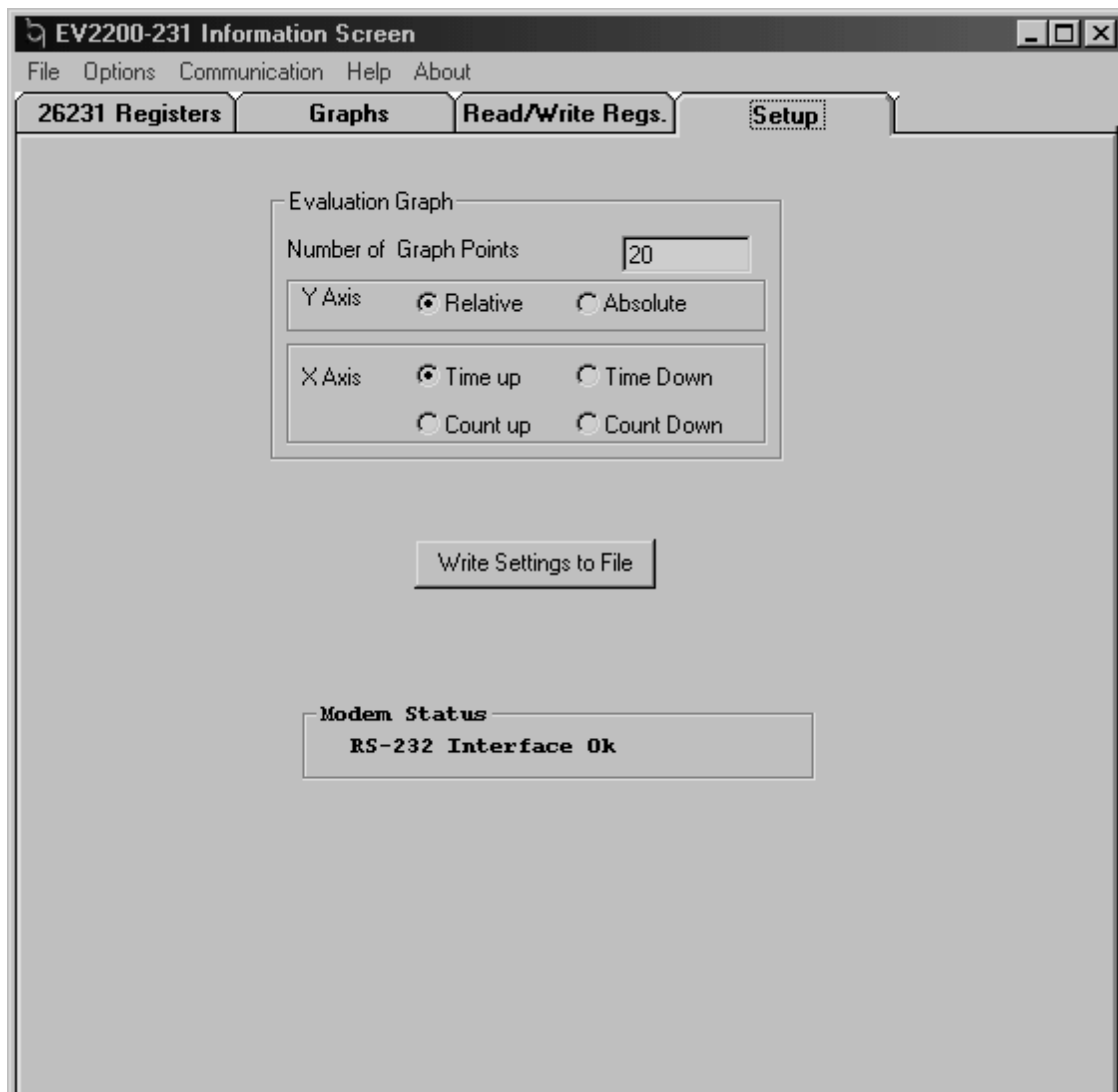


Figure 4–5. Setup Screen



4.4 Data Logging

The bq26231 registers data are logged by clicking the Turn Log On button of 26231 Registers screen. This creates a log file and shows the data on the 26231 Registers screen. See Figure 4–6 and Figure 4–7.

Figure 4–6. Data Logging Screen

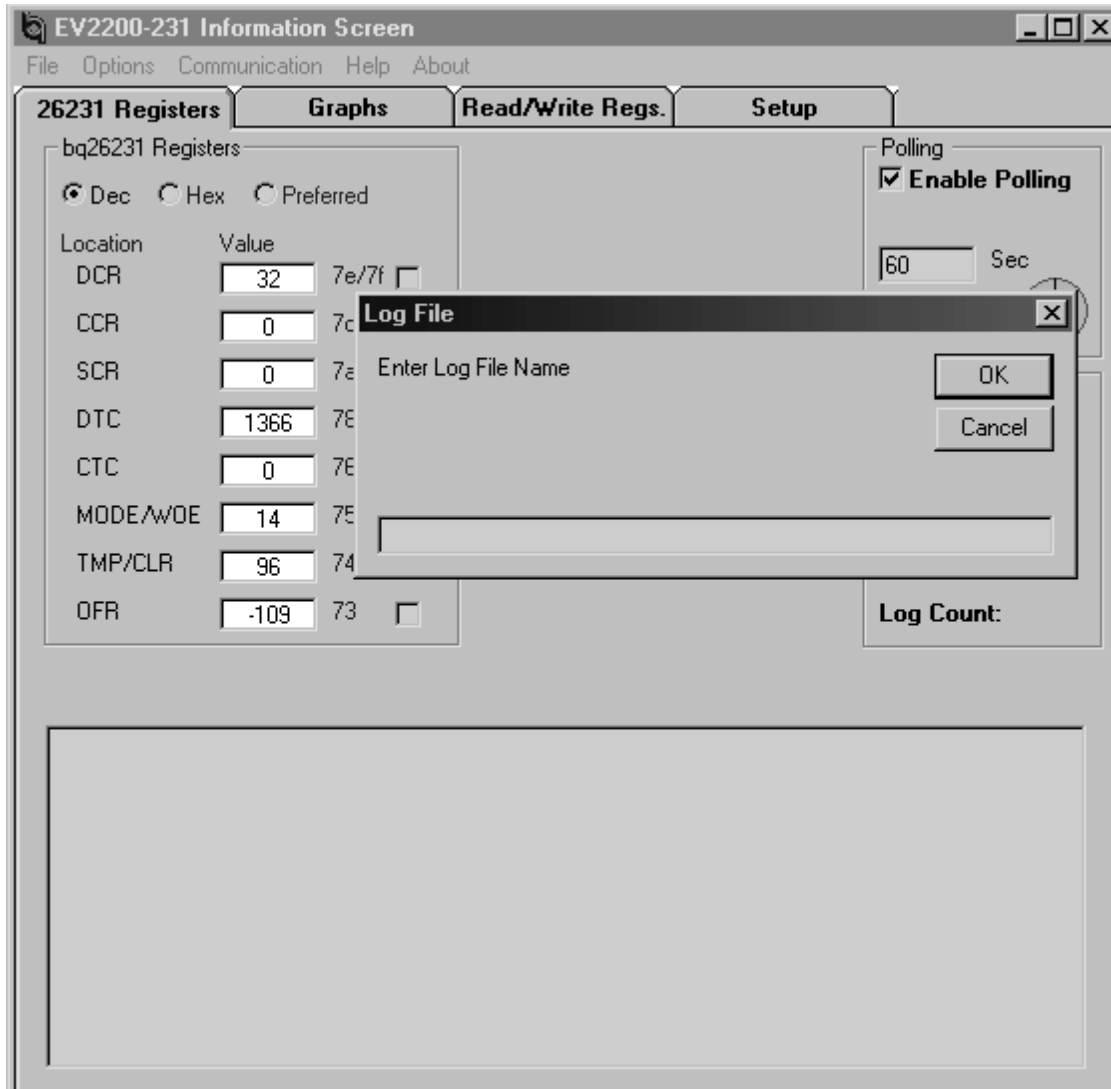


Figure 4–7. Example of Data Logged Screen

EV2200-231 Information Screen


File Options Communication Help About

26231 Registers **Graphs** **Read/Write Regs.** **Setup**

bq26231 Registers

Dec Hex Preferred

Location	Value	
DCR	175	7e/7f <input type="checkbox"/>
CCR	0	7c/7d <input type="checkbox"/>
SCR	0	7a/7b <input type="checkbox"/>
DTC	1820	78/79 <input type="checkbox"/>
CTC	0	76/77 <input type="checkbox"/>
MODE/WOE	14	75 <input type="checkbox"/>
TMP/CLR	96	74 <input type="checkbox"/>
OFR	-109	73 <input type="checkbox"/>

Polling
 Enable Polling
 10 Sec

 Scan Registers
 Turn Log Off
Log Count: 14

TIME	DCR	CCR	SCR	DTC	CTC	MODE/WOE	TMP/CL	OFR	0
17:29:31	120	0	0	1682	0	14	96	-109	0
17:29:41	124	0	0	1694	0	14	96	-109	0
17:29:51	129	0	0	1705	0	14	96	-109	0
17:30:01	133	0	0	1717	0	14	96	-109	0
17:30:11	138	0	0	1728	0	14	96	-109	0
17:30:22	143	0	0	1740	0	14	96	-109	0
17:30:32	147	0	0	1751	0	14	96	-109	0
17:30:42	152	0	0	1763	0	14	96	-109	0
17:30:52	156	0	0	1774	0	14	96	-109	0
17:31:02	161	0	0	1786	0	14	96	-109	0
17:31:13	166	0	0	1797	0	14	96	-109	0
17:31:23	170	0	0	1809	0	14	96	-109	0

