

Features

- Formerly *J.W. Miller* model
- Power rating: 6 watts
- Operating frequency: 60 KHz $\pm 25\%$
- Tape and reel packaging
- RoHS compliant*

Applications

- LCD flat panel displays
- Notebook / palmtop computers
- Portable instruments
- Retail terminals

BOURNS®

PM61300 Series - SMD CCFL Transformer

Electrical Specifications

Bourns Part No.	PRIMARY			SECONDARY			Turns Ratio
	L -10 % @10 KHZ (μ H)	DCR Max. (Ω)	Voltage (V)	DCR Max. (Ω)	Voltage (V)	Irms (mA)	
PM61300-1-RC	44	0.61	25	132	1300	70	50
PM61300-2-RC	44	0.82	20	175	1300	70	67
PM61300-3-RC	27	1.10	15	175	1300	70	86
PM61300-4-RC	20	1.88	13	175	1300	70	100
PM61300-5-RC	20	2.34	10.5	290	1300	70	125

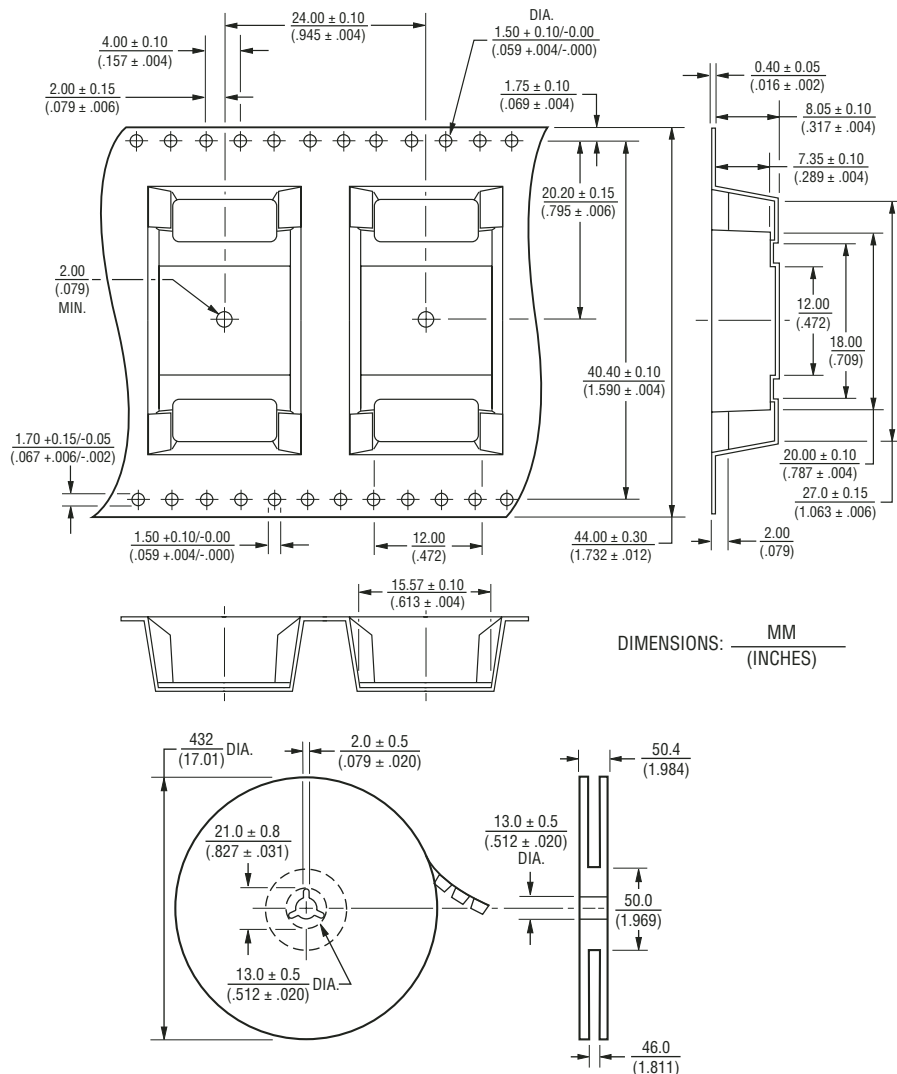
General Specifications

Operating Temperature ..-40 °C to +105 °C
 Storage Temperature.....-40 °C to +105 °C
 Soldering245 °C, 5 seconds max.
 Dielectric Strength.....1500 Vrms between windings

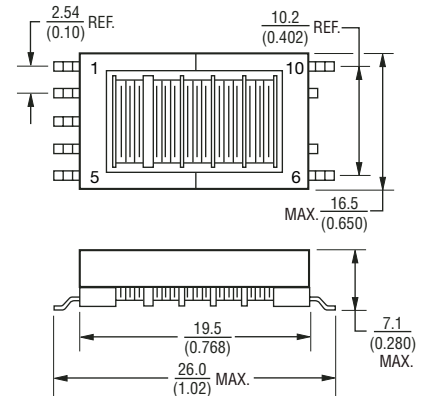
Materials

Core.....Ferrite
 Wire.....Polyester-coated copper
 Terminal CoatingSn
 Packaging250 pcs. per 17-inch reel

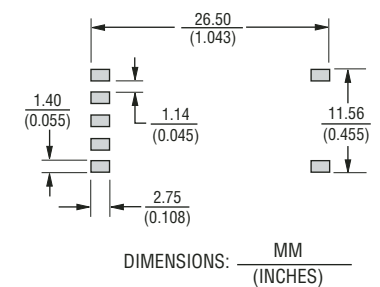
Packaging Specifications



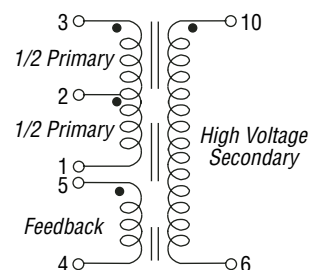
Product Dimensions



Recommended Pad Layout



Schematic



REV. 06/08

*RoHS Directive 2002/95/EC Jan 27 2003 including Annex Specifications are subject to change without notice. Customers should verify actual device performance in their specific applications.