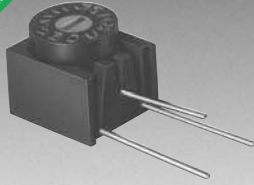


*ROHS COMPLIANT
VERSIONS
AVAILABLE



BOURNS®

Features

- Four-Turn / Cermet / Industrial / Sealed
- Unique planetary drive offers precise wiper setting of a multiturn in a single-turn package size
- Top and side adjust styles
- RoHS compliant* version available

3339 - 5/16" Round Trimming Potentiometer

Electrical Characteristics

Standard Resistance Range 10 to 1 megohm
(see standard resistance table)
Resistance Tolerance $\pm 10\%$ std.
(tighter tolerance available)
Absolute Minimum Resistance 1 % or 2 ohms max.
(whichever is greater)
Contact Resistance Variation 3 % or 3 ohms max.
(whichever is greater)
Adjustability
Voltage $\pm 0.05\%$
Resistance $\pm 0.1\%$
Resolution Infinite
Insulation Resistance 500 vdc.
1,000 megohms min.
Dielectric Strength
Sea Level 600 vac
80,000 Feet 250 vac
Effective Travel 4 turns nom.

Environmental Characteristics

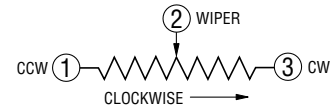
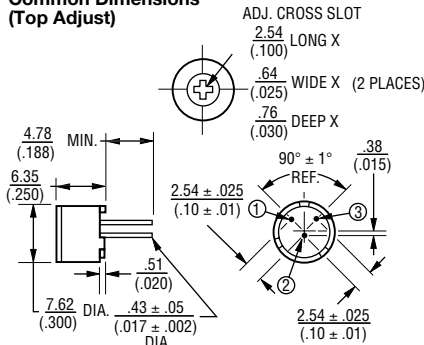
Power Rating (300 volts max.)
85 °C 0.5 watt
150 °C 0 watt
Temperature Range -55 °C to +150 °C
Temperature Coefficient ± 100 ppm/°C
Seal Test 85 °C Fluorinert[†]
Humidity MIL-STD-202 Method 103
96 hours
(3 % Δ TR, 10 Megohms IR)
Vibration 30 G (1 % Δ TR; 1 % Δ V/R)
Shock 100 G (1 % Δ TR; 1 % Δ V/R)
Load Life 1,000 hours 0.5 watt @ 85 °C
(3 % Δ TR; 3 % or 3 ohms, whichever is greater, CRV)
Rotational Life 200 cycles
(3 % Δ TR; 3 % or 3 ohms, whichever is greater, CRV)

Physical Characteristics

Torque 3 oz-in. max.
Mechanical Stops Wiper idles
Terminals Solderable pins
Weight 0.02 oz.
Marking Manufacturer's trademark, resistance code, wiring diagram, date code, manufacturer's model number and style
Wiper 50 % (Actual TR) $\pm 10\%$
Flammability U.L.94V-0
Standard Packaging 50 pcs. per tube
Adjustment Tool H-90

3339H

Common Dimensions (Top Adjust)



TOLERANCES: ± 0.25 (.010) EXCEPT WHERE NOTED

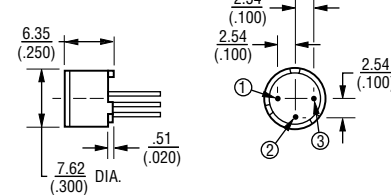
DIMENSIONS ARE: $\frac{\text{MM}}{\text{(INCHES)}}$

How To Order

3339 H - 1 - 103 LF

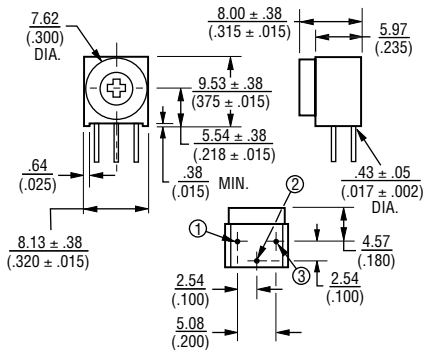
Model _____
Style _____
Standard or Modified Product Indicator _____
-1 = Standard Product
Resistance Code _____
Terminations _____
LF = 100 % Tin-plated (RoHS compliant)
Blank = 90 % Tin / 10 % Lead-plated (Standard)
Consult factory for other available options.

3339P

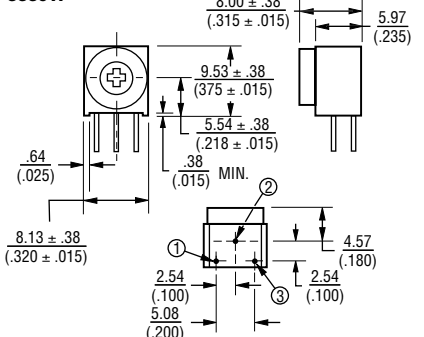


3339S

Common Dimensions (Side Adjust)



3339W



Standard Resistance Table

Resistance (Ohms)	Resistance Code
10	100
20	200
50	500
100	101
200	201
500	501
1,000	102
2,000	202
5,000	502
10,000	103
20,000	203
25,000	253
50,000	503
100,000	104
200,000	204
250,000	254
500,000	504
1,000,000	105

Popular distribution resistance values listed in boldface. Special resistances available.

REV. 02/06

*RoHS Directive 2002/95/EC Jan 27 2003 including Annex.
[†]"Fluorinert" is a registered trademark of 3M Co.
Specifications are subject to change without notice.
Customers should verify actual device performance in their specific applications.