

## Features

- Rechargeable battery-pack applications
- Precious metal contacts
- Tape & reel available
- RoHS compliant\* - see [processing information](#) on lead free modular contacts

# 70AD/Female - Modular Contact

### Materials & Finishes

Insulator Glass reinforced thermoplastic, UL 94V-0 rated, black  
 Contact..... Copper alloy  
 Finish  
 Underplating ..... Nickel  
 Contact Area ..... Gold  
 Termination..... Tin alloy  
 (meets MIL-STD-202, method 208)

### Operating Characteristics

Electrical  
 Current Rating..... DC 3 A/contact  
 Voltage Rating..... DC 30 V  
 Contact Resistance..... 25 mW max.  
 Dielectric Voltage ..... AC 500 V  
 Insulating Resistance..... 500 MW min.  
 Operating Temperature  
 ..... -55 °C to 125 °C

Mechanical  
 Durability ..... 5,000 cycles

### How to Order

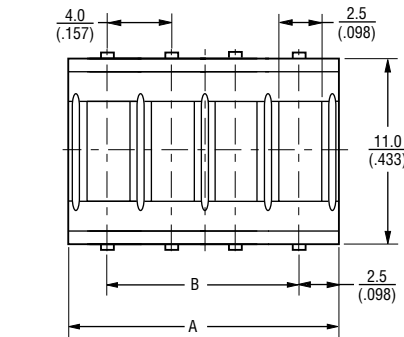
**70AD J - 3 - F L 0 G**

Model \_\_\_\_\_  
 Terminal Style \_\_\_\_\_  
 J = SMT  
 H = Through-hole  
 Number of Contacts \_\_\_\_\_  
 2 through 6  
 Gender \_\_\_\_\_  
 F = Female  
 Height \_\_\_\_\_  
 L = Low Profile  
 Options \_\_\_\_\_  
 0 = Standard  
 1 = Locator Pins (J style only)  
 Packaging Option \_\_\_\_\_  
 \_\_\_ = Tube (240/N pcs. or 240 contacts per tube)  
 G = Embossed Tape (500 pcs. per reel)

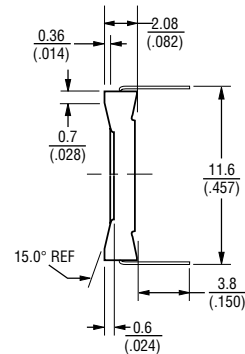
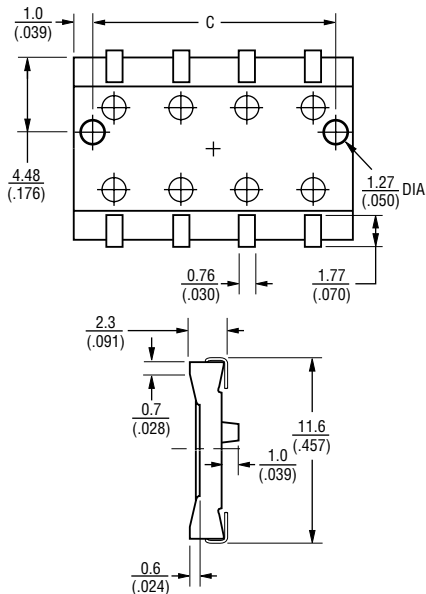
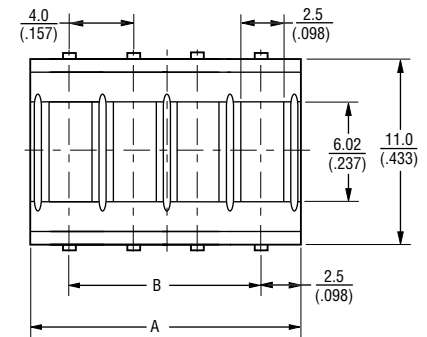
Number of Contacts	Dim. A	Dim. B	Dim. C
2	9.0 (.354)	4.0 (.157)	7.0 (.276)
3	13.0 (.512)	8.0 (.315)	11.0 (.433)
4	17.0 (.669)	12.0 (.472)	15.0 (.591)
5	21.0 (.827)	16.0 (.630)	19.0 (.748)
6	25.0 (.984)	20.0 (.787)	23.0 (.906)

### Product Dimensions

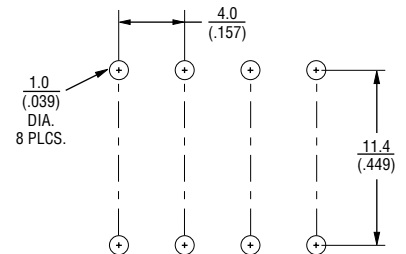
70ADJ



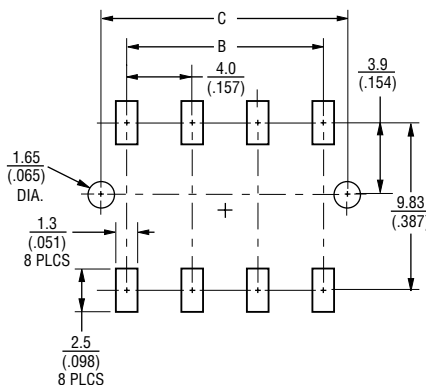
70ADH



70ADH RECOMMENDED PWB MOUNTING PATTERN



70ADJ RECOMMENDED PWB MOUNTING PATTERN



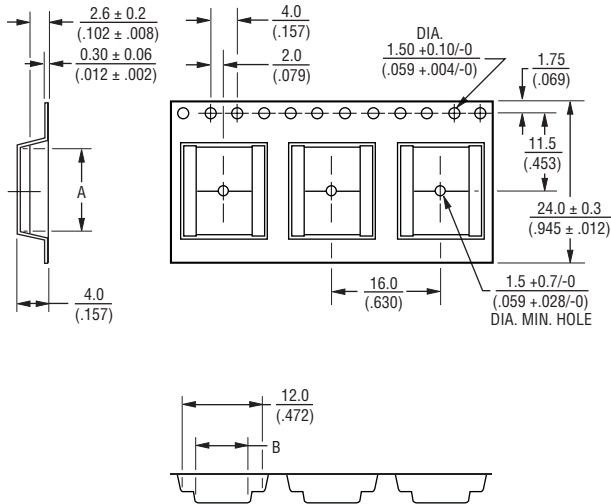
TOLERANCES: 0.3 (.012) UNLESS OTHERWISE NOTED  
 DIMENSIONS: MM (INCHES)

\*RoHS Directive 2002/95/EC Jan 27 2003 including Annex. Specifications are subject to change without notice. Customers should verify actual device performance in their specific applications.

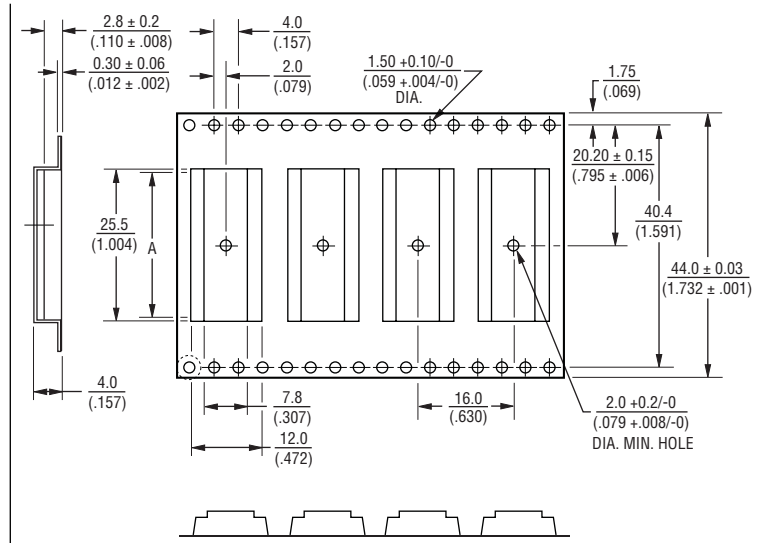
# 70AD/Female - Modular Contact

**BOURNS®**

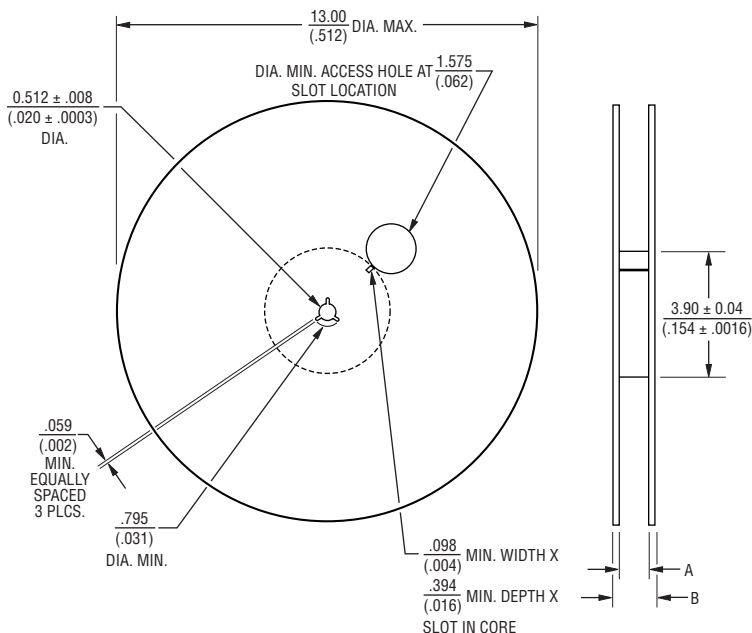
## Packaging Specifications



No. of Contacts	Dimension A	Dimension B
2	9.5 (.374)	8.3 ± 0.2 (.327 ± .008)
3	13.5 (.531)	8.3 ± 0.2 (.327 ± .008)
4	17.5 (.689)	7.8 (.307)



No. of Contacts	Dimension A
5	19.5 (.768)
6	25.5 (1.004)



No. of Contacts	Dimension A	Dimension B
2	.961 (.038)	1.197 (.047)
3	.961 (.038)	1.197 (.047)
4	.961 (.038)	1.197 (.047)
5	1.765 (.069)	1.98 (.078)
6	1.765 (.069)	1.98 (.078)

DIMENSIONS:  $\frac{\text{MM}}{\text{(INCHES)}}$

REV. 07/10

Specifications are subject to change without notice. Customers should verify actual device performance in their specific applications.