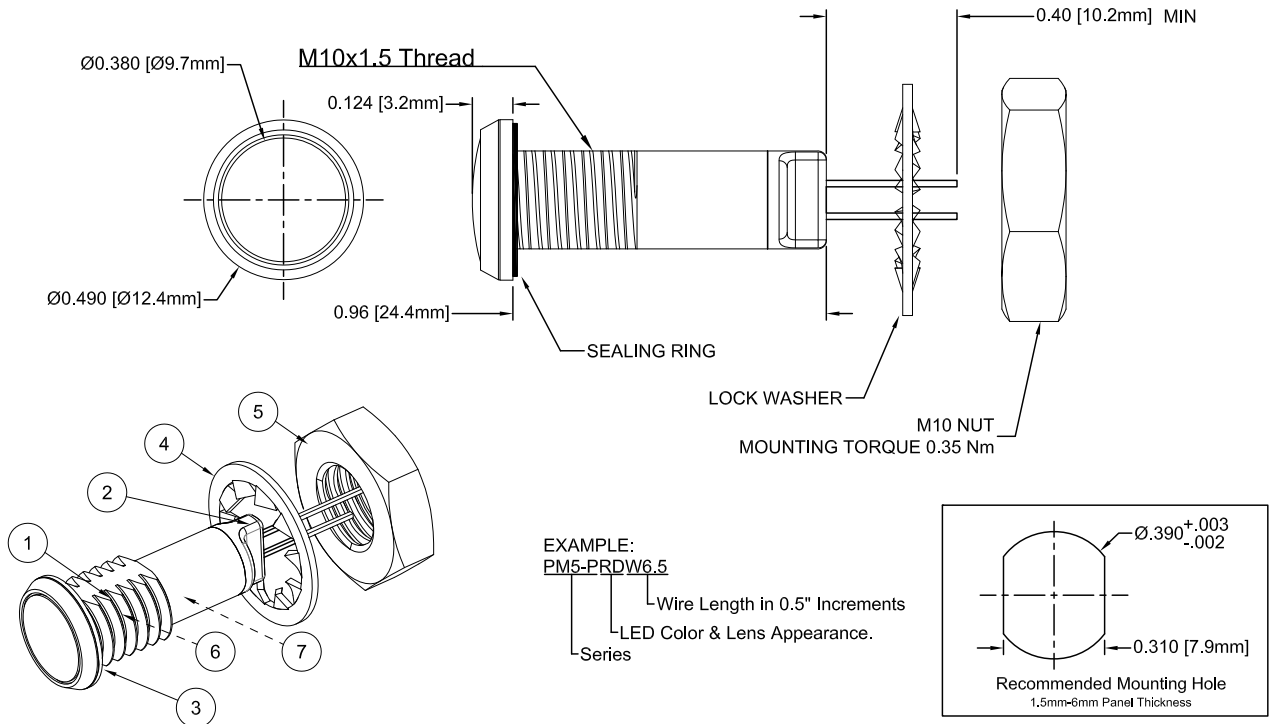




ITEM	Q'TY	PART NUMBER	PART DESCRIPTION
1	1	PM5-PE	5mm Polycarbonate Panel Mount Extended Housing
2	1	PM5-HP	5mm Panel Mount Wide Range Plug
3	1	PM5-VS	5mm Sealing Ring
4	1	WASH-1008	10mm Internal Tooth Lock Washer
5	1	NUT-1003	10mm Thin Nut
6	1	5XX	5mm LED, SEE SHEET #2
7	1	PCBA-1081	8~48V Universal Power Board

REV.	DESCRIPTION	DATE	APPROVED
A	Engineering Release	04/12/12	T. Y.
B	Updated Descriptions	03/21/13	T. Y.



- NOTES:
1. SEALED TO IP67 RATING
  2. WIDE RANGE VOLTAGE INPUT, 8-48 VAC/VDC
  3. BI-POLAR OPERATION
  4. ROHS COMPLIANT
  5. MOUNTING HARDWARE SHIPPED NON-ASSEMBLED
  6. INSERT SEALING RING ON PANEL MOUNT PRIOR TO PANEL INSERTION

STANDARD TOLERANCE (UNLESS OTHERWISE SPECIFIED)		 <b>BIVAR</b> <sup>®</sup> 4 THOMAS, IRVINE, CA, 92618 TEL: (949) 951-8808 FAX: (949) 951-3974	
DECIMALS	ANGULAR		
.X ±.1	X° ±1°		
.XX ±.02		 <b>TITLE:</b> IP67 Rated Panel Mount Indicator	REVISION:
.XXX ±.010			<b>PART NO:</b> PM5-PXXX
DESIGNED: <b>Ty Yin</b>	DATE: <b>04/12/12</b>	<b>CAGE CODE :</b> 32559	<b>SHEET #</b> 1 OF 2
CHECKED: <b>B. Oliver</b>	DATE: <b>04/12/12</b>	CAD GENERATED DOCUMENT, DO NOT MEASURE DRAWING.	


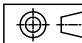
REV.	DESCRIPTION	DATE	APPROVED
	SEE SHEET #1		

Assembly Part Number	LED Part Number	Peak Wave Length $\lambda_p$ (nm)	Emitted Color	Lens Appearance	Electro-Optical Data @ 20mA		Viewing Angle
					Typ Vf (VAC/VDC)	LED Iv (mcd)	
					TYP	TYP	
PM5-PAD	5AD	605	AMBER	WHITE DIFFUSED	8-48	25	120
PM5-PBWD	5BWD0.345	430	BLUE	WHITE DIFFUSED	8-48	200	120
PM5-PGD	5SGD	568	GREEN	WHITE DIFFUSED	8-48	30	120
PM5-PHD	5HD	625	HE RED	WHITE DIFFUSED	8-48	25	120
PM5-PPGD	5PGD	555	PURE GREEN	WHITE DIFFUSED	8-48	10	120
PM5-PRD	5SRD	645	RED	WHITE DIFFUSED	8-48	40	120
PM5-PYD	5SYD	590	YELLOW	WHITE DIFFUSED	8-48	300	120

Assembly Part Number	LED Part Number	Color Temperature	Emitted Color	Lens Appearance	Electro-Optical Data @ 20mA		Viewing Angle
					Typ Vf (VAC/VDC)	LED Iv (mcd)	
					TYP	TYP	
PM5-PWD	5UWD0.660N	5000K	NEUTRAL WHITE	WHITE DIFFUSED	8-48	600	120

### ABSOLUTE MAXIMUM RATINGS (Ta = 25°C)

MAXIMUM POWER DISSIPATION \_\_\_\_\_ 400 mW  
 OPERATING TEMPERATURE RANGE \_\_\_\_\_ -30°C ~ 85°C  
 STORAGE TEMPERATURE \_\_\_\_\_ -40°C ~ 85°C

STANDARD TOLERANCE (UNLESS OTHERWISE SPECIFIED)		 4 THOMAS, IRVINE, CA, 92618 TEL: (949) 951-8808 FAX: (949) 951-3974		
DECIMALS	ANGULAR			
		TITLE: IP67 Rated Panel Mount Indicator		
		DESIGNED: Ty Yin	DATE: 04/12/12	PART NO: PM5-PXXX
CHECKED: B. Oliver		DATE: 04/12/12	CAGE CODE : 32559	SHEET # 2 OF 2
CAD GENERATED DOCUMENT, DO NOT MEASURE DRAWING.				