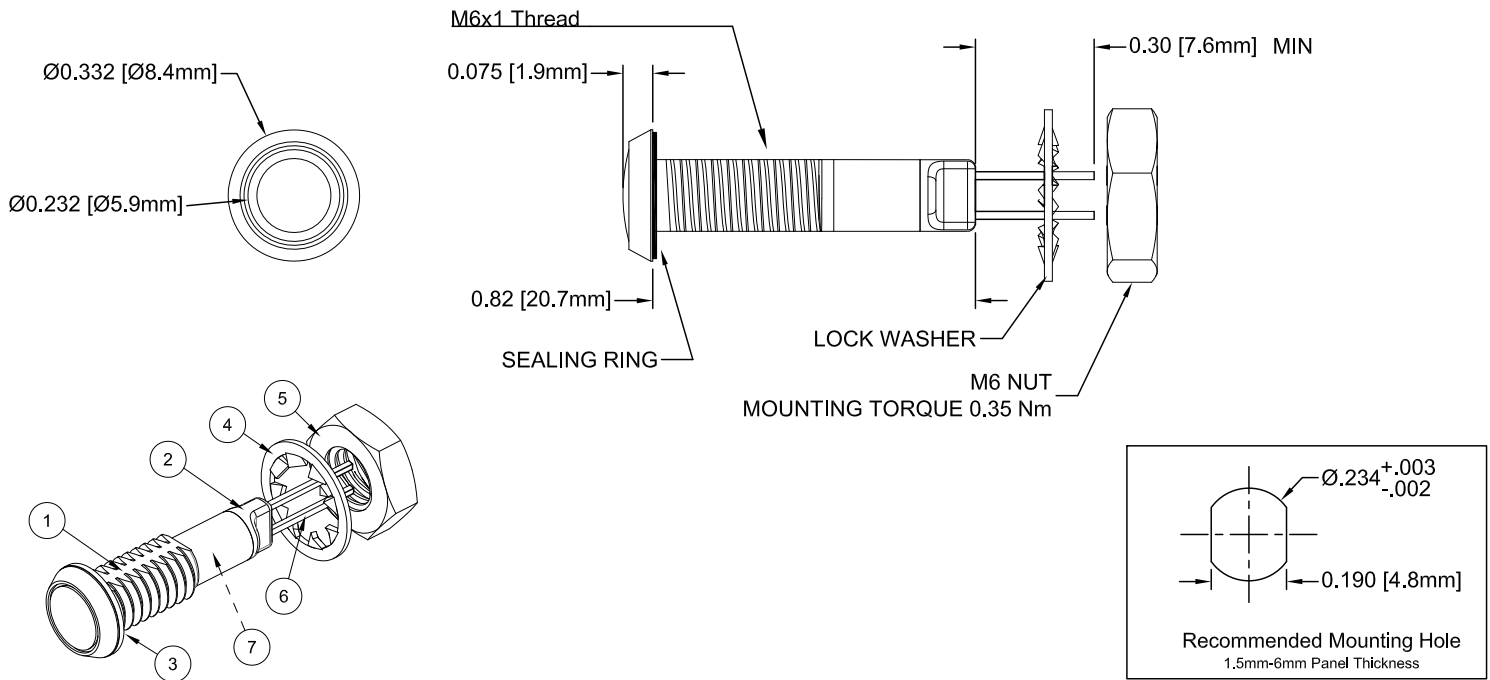


ITEM	Q'TY	PART NUMBER	PART DESCRIPTION
1	1	PM3-PE	3mm Polycarbonate Panel Mount Housing
2	1	PM3-HP	3mm Panel Mount Wide Range Plug
3	1	PM3-VS	3mm Sealing Ring
4	1	WASH-1009	M6 Internal Tooth Lock Washer
5	1	NUT-1004	M6x1 Thin Nut
6	1	3XX-S	3mm LED, SEE SHEET #2
7	1	PCBA-1081	8-48V Universal Power Board

REV.	DESCRIPTION	DATE	APPROVED
A	Engineering Release	04/12/12	T. Y.
B	Updated Descriptions	03/21/13	T. Y.



- NOTES:
1. SEALED TO IP67 RATING
  2. WIDE RANGE VOLTAGE INPUT, 8-48 VAC/VDC
  3. BI-POLAR OPERATION
  4. ROHS COMPLIANT
  5. MOUNTING HARDWARE SHIPPED NON-ASSEMBLED
  6. INSERT SEALING RING ON PANEL MOUNT PRIOR TO PANEL INSERTION

STANDARD TOLERANCE (UNLESS OTHERWISE SPECIFIED)		 <b>BIVAR</b> <sup>®</sup> 4 THOMAS, IRVINE, CA, 92618 TEL: (949) 951-8808 FAX: (949) 951-3974	
DECIMALS	ANGULAR		
.X ±.1	X° ±1°	 <b>TITLE:</b> IP67 Rated Panel Mount Indicator	<b>REVISION:</b> B
.XX ±.02			
.XXX ±.010		<b>DESIGNED:</b> Ty Yin	<b>DATE:</b> 04/12/12
<b>CHECKED:</b> B. Oliver		<b>DATE:</b> 04/12/12	<b>PART NO:</b> PM3-PXXX
		<b>CAGE CODE :</b> 32559	<b>SHEET # 1 OF 2</b>
CAD GENERATED DOCUMENT, DO NOT MEASURE DRAWING.			



REV.	DESCRIPTION	DATE	APPROVED
	SEE SHEET #1		

Assembly Part Number	LED Part Number	Peak Wave Length $\lambda_p$ (nm)	Emitted Color	Lens Appearance	Electro-Optical Data @ 20mA		Viewing Angle
					Typ Vf (VAC/VDC)	LED Iv (mcd)	
					TYP	TYP	
PM3-PAD	3SAD-S	610	AMBER	WHITE DIFFUSED	8-48	100	120
PM3-PBWD	3BWD0.245S	470	BLUE	WHITE DIFFUSED	8-48	200	120
PM3-PGD	3SGD-S	568	GREEN	WHITE DIFFUSED	8-48	30	120
PM3-PHD	3HD-S	625	HE RED	WHITE DIFFUSED	8-48	30	120
PM3-PPGD	3SPGD-S	555	PURE GREEN	WHITE DIFFUSED	8-48	20	120
PM3-PRD	3SRD-S	645	RED	WHITE DIFFUSED	8-48	40	120
PM3-PYD	3SYD-S	585	YELLOW	WHITE DIFFUSED	8-48	30	120

Assembly Part Number	LED Part Number	Color Temperature	Emitted Color	Lens Appearance	Electro-Optical Data @ 20mA		Viewing Angle
					Typ Vf (VAC/VDC)	LED Iv (mcd)	
					TYP	TYP	
PM3-PWD	3UWD2.555N	5000K	NEUTRAL WHITE	WHITE DIFFUSED	8-48	2500	120

### ABSOLUTE MAXIMUM RATINGS (Ta = 25°C)

MAXIMUM POWER DISSIPATION \_\_\_\_\_ 400 mW  
 OPERATING TEMPERATURE RANGE \_\_\_\_\_ -30°C ~ 85°C  
 STORAGE TEMPERATURE \_\_\_\_\_ -40°C ~ 85°C

STANDARD TOLERANCE ( UNLESS OTHERWISE SPECIFIED ) DECIMALS      ANGULAR		 4 THOMAS, IRVINE, CA, 92618 TEL: (949) 951-8808    FAX: (949) 951-3974	
			
DESIGNED: <b>Ty Yin</b>	DATE: <b>04/12/12</b>	PART NO: <b>PM3-PXXX</b>	REVISION: <b>B</b>
CHECKED: <b>B. Ollver</b>	DATE: <b>04/12/12</b>	CAGE CODE : <b>32559</b>	SHEET # <b>2 OF 2</b>
CAD GENERATED DOCUMENT. DO NOT MEASURE DRAWING.			