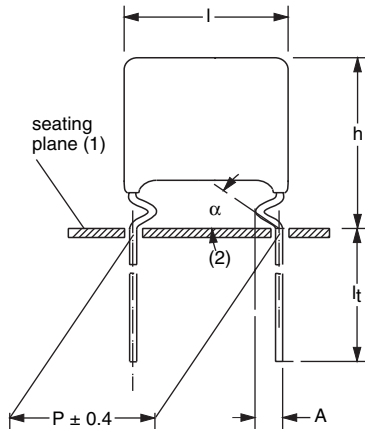
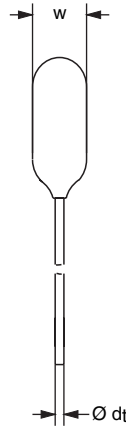


AC and Pulse Polypropylene Film Foil Capacitors

KP Radial Epoxy Lacquered Type


Dimensions in mm

- (1) Hole $\varnothing 1.0$ for $d_t = 0.6$ mm
Hole $\varnothing 1.3$ for $d_t = 0.8$ mm
- (2) $0 \leq \alpha < 50^\circ$
- (3) $A = 2.0 \pm 0.5$ mm (pitch = 7.5 and 10.0 mm)
 $A = 3.5 \pm 1.0$ mm (pitch = 15.0 mm)


FEATURES

5 to 15 mm terminal pitch. Supplied loose in box; taped on reel and ammpack

LEADS

Tinned wire

CAPACTIANCE RANGE (E24 SERIES)

680 to 82 000 pF

CAPACITANCE TOLERANCE

$\pm 10 \%$, $\pm 5 \%$

RATED (DC) VOLTAGE

250 V; 400 V; 630 V

RATED (AC) VOLTAGE

125 V; 160 V; 200 V

RATED PEAK-TO-PEAK VOLTAGE

350 V; 450 V; 560 V

CLIMATIC CATEGORY

55/105/56

RATED TEMPERATURE

85 °C

MAXIMUM APPLICATION TEMPERATURE

105 °C

REFERENCE SPECIFICATIONS

IEC 60384-13

PERFORMANCE GRADE

Grade 1

STABILITY GRADE

Grade 2

APPLICATIONS

Consumer and industrial. High currents and/or steep pulses occur. Monitor applications

MARKING

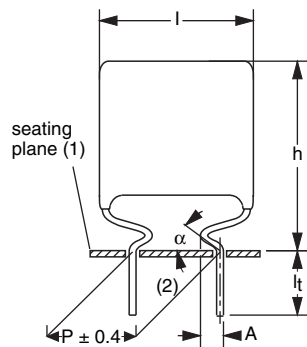
C-value; tolerance; rated voltage; manufacturer's type designation; code for dielectric material

DETAIL SPECIFICATION

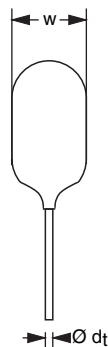
For more detailed data and test requirements contact: filmcaps.roeselare@vishay.com



RoHS
COMPLIANT


Dimensions in mm

- (1) Hole $\varnothing 1.0$ for $d_t = 0.6$ mm
- (2) $0 \leq \alpha < 50^\circ$
- (3) $A = 1.7 \pm 0.3$ mm


DIELECTRIC

Polypropylene film

ELECTRODES

Aluminum foil

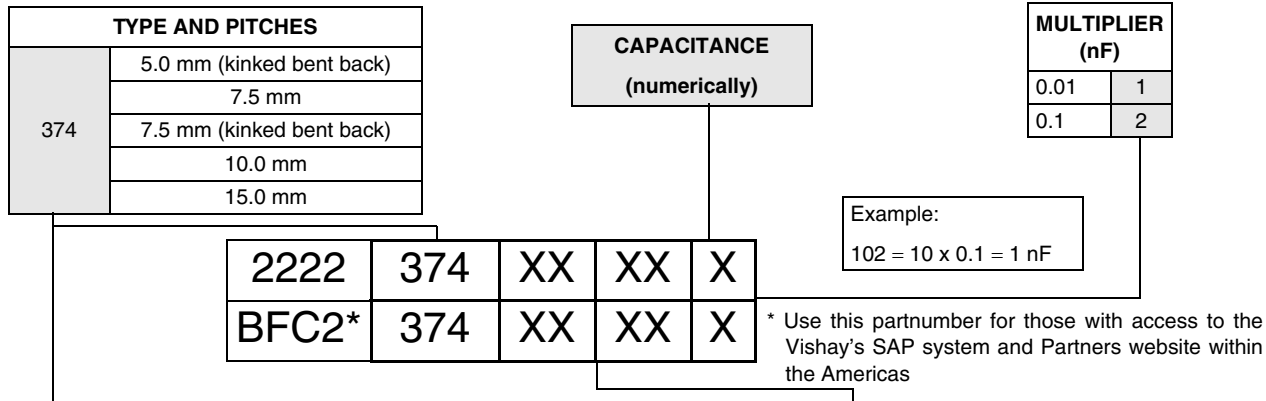
COATING

Flame retardant epoxy material (UL-class 94 V-0)

CONSTRUCTION

Wound mono construction

COMPOSITION OF CATALOG NUMBER



TYPE	PACKAGING	LEAD CONFIGURATION	PREFERRED TYPES			
			C-TOL	250 V	400 V	630 V
374	loose in box	lead length = 3.5 ± 0.5 mm; note 1	± 10 %	40	50	60
	ammopack (bent back leads)	H = 16.0 mm; P ₀ = 12.7 mm	± 10 %	42	52	62
			± 10 %	48	58	68
	taped on reel (bent back leads)	H = 16.0 mm; P ₀ = 12.7 mm; reel diameter 356 mm	± 10 %	46	56	66
taped on reel	H = 16.0 mm; P ₀ = 12.7 mm; reel diameter 356 mm	± 10 %	44	54	64	
		± 10 %	-	58	68	
ON REQUEST						
374	loose in box	lead length = 3.5 ± 0.5 mm; note 1	± 5 %	41	51	61
	ammopack (bent back leads)	H = 16.0 mm; P ₀ = 12.7 mm	± 5 %	43	53	63
			± 5 %	49	59	69
	taped on reel (bent back leads)	H = 16.0 mm; P ₀ = 12.7 mm; reel diameter 356 mm	± 5 %	47	57	67
taped on reel	H = 16.0 mm; P ₀ = 12.7 mm; reel diameter 356 mm	± 5 %	45	55	65	
		± 5 %	-	59	69	

Note

- Lead length 3.5 ± 0.5 mm for pitch = 7.5 mm and 4 + 1/- 0.5 mm for pitch = 10.0 and 15.0 mm.

SPECIFIC REFERENCE DATA

DESCRIPTION	VALUE	
Tangent of loss angle: 680 pF < C ≤ 27 000 pF	at 10 kHz	at 100 kHz
	≤ 5 x 10 ⁻⁴	≤ 10 x 10 ⁻⁴
Rated voltage pulse slope (dU/dt) _R	> 10 000 V/μs	
R between leads at 100 V; 1 minute	> 100 000 MΩ	
R between interconnected leads and case; at 100 V; 1 minute	> 100 000 MΩ	
Withstanding (DC) voltage (cut off current 10 mA); rise time 100 V/s:	250 V	
	400 V	
	630 V	
Withstanding (DC) voltage between leads and case:	500 V; 1 minute	
	800 V; 1 minute	
	1260 V; 1 minute	



AC and Pulse Polypropylene Film
Foil Capacitors
KP Radial Epoxy Lacquered Type

Vishay BCcomponents

$U_{Rdc} = 250\text{ V}$; $U_{Rac} = 125\text{ V}$; $U_{p-p} = 350\text{ V}$ (bent back leads)

C (pF)	DIMENSIONS $W_{max} \times H_{max} \times L_{max}$ (mm)	MASS (g)	CATALOG NUMBER 2222 374 AND PACKAGING					
			AMMOPACK			REEL		
			C-tol = $\pm 10\%$	SPQ	C-tol = $\pm 10\%$	SPQ	C-tol = $\pm 10\%$	SPQ
			LAST 5 DIGITS OF CATALOG NUMBER		LAST 5 DIGITS OF CATALOG NUMBER		LAST 5 DIGITS OF CATALOG NUMBER	
Original pitch = $7.5 \pm 0.4\text{ mm}$; $d_t = 0.60 \pm 0.06\text{ mm}$			pitch = 5.0 mm (bent back)		pitch = 5.0 mm (bent back)		pitch = 7.5 mm (bent back)	
1500	5.0 x 14.5 x 11.0	0.48	42152	1000	46152	1250		
1800		0.48	42182		46182			
2200		0.52	42222		46222			
2700		0.52	42272		46272			
3300		0.52	42332		46332			
3900		0.52	42392		46392			
4700		0.53	42472		46472			
5600		0.50	42562		46562			
6800		0.55	42682		46682			
8200		5.5 x 15.0 x 11.0	0.60		42822			
10 000	6.0 x 15.5 x 11.0	0.67	42103	900	46103	1000		
12 000	6.5 x 16.0 x 11.0	0.74	42123	900	46123	900		
Original pitch = $10.0 \pm 0.4\text{ mm}$; $d_t = 0.60 \pm 0.06\text{ mm}$			pitch = 5.0 mm (bent back)		pitch = 5.0 mm (bent back)		pitch = 7.5 mm (bent back)	
15 000	5.5 x 15.0 x 13.5	0.68			46153	1100	48153	1100
18 000	6.0 x 15.5 x 13.5	0.76			46183	1000	48183	1000
22 000	6.5 x 16.0 x 13.5	0.86			46223	900	48223	900
27 000	7.0 x 16.5 x 13.5	0.98			46273	800	48273	800

$U_{Rdc} = 250\text{ V}$; $U_{Rac} = 125\text{ V}$; $U_{p-p} = 350\text{ V}$ (standard)

C (pF)	DIMENSIONS $W_{max} \times H_{max} \times L_{max}$ (mm)	MASS (g)	CATALOG NUMBER 2222 374 AND PACKAGING					
			AMMOPACK			REEL		
			C-tol = $\pm 10\%$	SPQ	C-tol = $\pm 10\%$	SPQ	C-tol = $\pm 10\%$	SPQ
			LAST 5 DIGITS OF CATALOG NUMBER		LAST 5 DIGITS OF CATALOG NUMBER		LAST 5 DIGITS OF CATALOG NUMBER	
Pitch = $7.5 \pm 0.4\text{ mm}$; $d_t = 0.60 \pm 0.06\text{ mm}$								
1500	5.0 x 13.5 (14.5) x 11.0	0.48	40152	2000	48152	1000	44152	1250
1800		0.48	40182		48182			
2200		0.52	40222		48222			
2700		0.52	40272		48272			
3300		0.52	40332		48332			
3900		0.52	40392		48392			
4700		0.53	40472		48472			
5600		0.50	40562		48562			
6800		0.55	40682		48682			
8200		5.5 x 14.0 (15.0) x 11.0	0.60		40822		1500	
10 000	6.0 x 14.5 (15.5) x 11.0	0.67	40103	1500	48103	900	44103	1000
12 000	6.5 x 15.0 (16.0) x 11.0	0.74	40123	1250	48123	900	44123	900

Vishay BCcomponents AC and Pulse Polypropylene Film
Foil Capacitors
KP Radial Epoxy Lacquered Type

C (pF)	DIMENSIONS $W_{max} \times H_{max} \times L_{max}$ (mm)	MASS (g)	CATALOG NUMBER 2222 374 AND PACKAGING					
			AMMOPACK		REEL			
			C-tol = ± 10 %	SPQ	C-tol = ± 10 %	SPQ	C-tol = ± 10 %	SPQ
LAST 5 DIGITS OF CATALOG NUMBER	LAST 5 DIGITS OF CATALOG NUMBER	LAST 5 DIGITS OF CATALOG NUMBER						
Pitch = 10.0 ± 0.4 mm; $d_t = 0.60 \pm 0.06$ mm								
15 000	5.5 x 15.0 x 13.5	0.68	40153	2000		44153	1100	
18 000	6.0 x 15.5 x 13.5	0.76	40183	1750		44183	1000	
22 000	6.5 x 16.0 x 13.5	0.86	40223	1500		44223	900	
27 000	7.0 x 16.5 x 13.5	0.98	40273	1250		44273	800	
Pitch = 15.0 ± 0.4 mm; $d_t = 0.80 \pm 0.08$ mm								
33 000	5.5 x 14.5 x 19.0	1.03	40333	2000		44333	1100	
39 000	6.0 x 15.0 x 19.0	1.14	40393	2000		44393	1000	
47 000	6.5 x 15.5 x 19.0	1.29	40473	1500		44473	900	
56 000	7.0 x 16.0 x 19.0	1.46	40563	1500		44563	800	
68 000	7.5 x 16.5 x 19.0	1.67	40683	1250		44683	800	
82 000	8.0 x 17.0 x 19.0	1.93	40823	1250		44823	750	

Note

1. Dimensions between brackets for taped versions

$U_{Rdc} = 400$ V; $U_{Rac} = 160$ V; $U_{p-p} = 450$ V (bent back leads)

C (pF)	DIMENSIONS $W_{max} \times H_{max} \times L_{max}$ (mm)	MASS (g)	CATALOG NUMBER 2222 374 AND PACKAGING					
			AMMOPACK		REEL			
			C-tol = ± 10 %	SPQ	C-tol = ± 10 %	SPQ	C-tol = ± 10 %	SPQ
LAST 5 DIGITS OF CATALOG NUMBER	LAST 5 DIGITS OF CATALOG NUMBER	LAST 5 DIGITS OF CATALOG NUMBER						
Original pitch = 7.5 ± 0.4 mm; $d_t = 0.60 \pm 0.06$ mm			pitch = 5.0 mm (bent back)		pitch = 5.0 mm (bent back)		pitch = 7.5 mm (bent back)	
1500	5.0 x 14.5 x 11.0	0.48	52152	1000	56152	1250		
1800		0.48	52182		56182			
2200		0.52	52222		56222			
2700	5.5 x 15.0 x 11.0	0.57	52272	1000	56272	1000		
3300	6.0 x 15.5 x 11.0	0.63	52332	900	56332	1000		
3900	6.5 x 16.0 x 11.0	0.69	52392	900	56392	900		
Original pitch = 10.0 ± 0.4 mm; $d_t = 0.60 \pm 0.06$ mm			pitch = 5.0 mm (bent back)		pitch = 5.0 mm (bent back)		pitch = 7.5 mm (bent back)	
4700	5.5 x 15.0 x 13.5	0.63			56472	1100	58472	1100
5600	6.0 x 15.5 x 13.5	0.69			56562	1000	58562	1000
6800	6.5 x 16.0 x 13.5	0.77			56682	900	58682	900
8200	7.0 x 16.5 x 13.5	0.86			56822	800	58822	800



AC and Pulse Polypropylene Film
Foil Capacitors
KP Radial Epoxy Lacquered Type

Vishay BCcomponents

$U_{Rdc} = 400\text{ V}$; $U_{Rac} = 160\text{ V}$; $U_{p-p} = 450\text{ V}$ (standard)

C (pF)	DIMENSIONS $W_{max} \times H_{max} \times L_{max}$ (mm)	MASS (g)	CATALOG NUMBER 2222 374 AND PACKAGING					
			AMMOPACK			REEL		
			C-tol = $\pm 10\%$	SPQ	C-tol = $\pm 10\%$	SPQ	C-tol = $\pm 10\%$	SPQ
			LAST 5 DIGITS OF CATALOG NUMBER		LAST 5 DIGITS OF CATALOG NUMBER		LAST 5 DIGITS OF CATALOG NUMBER	
Pitch = $7.5 \pm 0.4\text{ mm}$; $d_t = 0.60 \pm 0.06\text{ mm}$								
1500	5.0 x 13.5 (14.5) x 11.0	0.48	50152	2000	58152	1000	54152	1250
1800		0.48	50182		58182		54182	
2200		0.52	50222		58222		54222	
2700	5.5 x 14.0 (15.0) x 11.0	0.57	50272	1500	58272	1000	54272	1000
3300	6.0 x 14.5 (15.5) x 11.0	0.63	50332	1500	58332	900	54332	1000
3900	6.5 x 15.0 (16.0) x 11.0	0.69	50392	1250	58392	900	54392	900
Pitch = $10.0 \pm 0.4\text{ mm}$; $d_t = 0.60 \pm 0.06\text{ mm}$								
4700	5.5 x 15.0 x 13.5	0.63	50472	2000			54472	1100
5600	6.0 x 15.5 x 13.5	0.69	50562	1750			54562	1000
6800	6.5 x 16.0 x 13.5	0.77	50682	1500			54682	900
8200	7.0 x 16.5 x 13.5	0.86	50822	1250			54822	800

Note

- Dimensions between brackets for taped versions

$U_{Rdc} = 630\text{ V}$; $U_{Rac} = 200\text{ V}$; $U_{p-p} = 560\text{ V}$ (bent back leads)

C (pF)	DIMENSIONS $W_{max} \times H_{max} \times L_{max}$ (mm)	MASS (g)	CATALOG NUMBER 2222 374 AND PACKAGING					
			AMMOPACK			REEL		
			C-tol = $\pm 10\%$	SPQ	C-tol = $\pm 10\%$	SPQ	C-tol = $\pm 10\%$	SPQ
			LAST 5 DIGITS OF CATALOG NUMBER		LAST 5 DIGITS OF CATALOG NUMBER		LAST 5 DIGITS OF CATALOG NUMBER	
Original pitch = $7.5 \pm 0.4\text{ mm}$; $d_t = 0.60 \pm 0.06\text{ mm}$			pitch = 5.0 mm (bent back)		pitch = 5.0 mm (bent back)		pitch = 7.5 mm (bent back)	
680	4.5 x 14.0 x 11.0	0.40	62681	1250	66681	1250		
750		0.45	62751		66751			
820	5.0 x 14.5 x 11.0	0.45	62821	1000	66821	1250		
1000		0.50	62102		66102			
1200	5.5 x 15.0 x 11.0	0.50	62122	1000	66122	1000		
1500		0.55	62152		98034			
1800		0.60	62182		98035			
2200	6.0 x 15.5 x 11.0	0.70	62222	900	98036	1000		
Original pitch = $10.0 \pm 0.4\text{ mm}$; $d_t = 0.60 \pm 0.06\text{ mm}$			pitch = 5.0 mm (bent back)		pitch = 5.0 mm (bent back)		pitch = 7.5 mm (bent back)	
1500	4.5 x 13.5 x 13.5	0.60					68152	1300
1800	5.0 x 14.0 x 13.5	0.70					68182	1200
2200	5.5 x 14.5 x 13.5	0.80					68222	1100
2700		0.60					68272	
2700	5.5 x 15.0 x 13.5	0.60			66272	1300	68332	1000
3300	6.0 x 15.5 x 13.5	0.65			66332	1200	68392	900
3900	6.5 x 16.0 x 13.5	0.70			66392	1100	68152	1300

Vishay BCcomponents AC and Pulse Polypropylene Film Foil Capacitors
 KP Radial Epoxy Lacquered Type

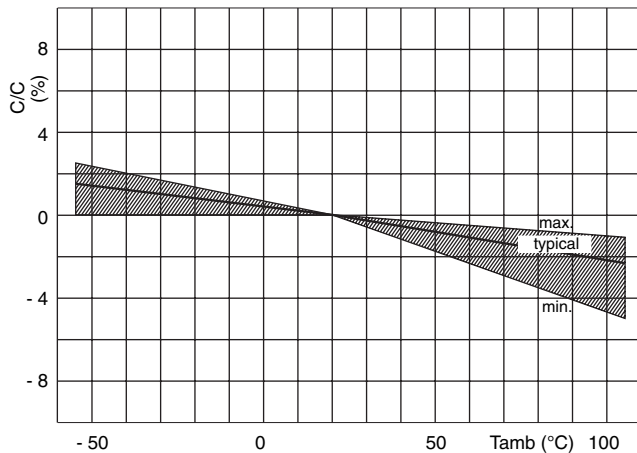
$U_{Rdc} = 630\text{ V}$; $U_{Rac} = 200\text{ V}$; $U_{p-p} = 560\text{ V}$ (standard)

C (pF)	DIMENSIONS $W_{max} \times H_{max} \times L_{max}$ (mm)	MASS (g)	CATALOG NUMBER 2222 374 AND PACKAGING					
			AMMOPACK		REEL			
			C-tol = $\pm 10\%$		C-tol = $\pm 10\%$		C-tol = $\pm 10\%$	
			LAST 5 DIGITS OF CATALOG NUMBER	SPQ	LAST 5 DIGITS OF CATALOG NUMBER	SPQ	LAST 5 DIGITS OF CATALOG NUMBER	SPQ
Pitch = $7.5 \pm 0.4\text{ mm}$; $d_t = 0.60 \pm 0.06\text{ mm}$								
680	4.5 x 12.5 (14.0) x 11.0	0.40	60681	2000	68681	1250	64681	1250
750		0.45	60751		68751		64751	
820	5.0 x 13.0 (14.5) x 11.0	0.45	60821	2000	68821	1000	64821	1250
1000		0.50	60102		68102		64102	
1200	5.5 x 13.5 (15.0) x 11.0	0.50	60122	1500	68122	1000	64122	1000
1500		0.55	98025		98028		64152	
1800		0.60	98026		98029		64182	
2200	6.0 x 14.0 (15.5) x 11.0	0.70	98027	1500	98037	900	64222	1000
Pitch = $10.0 \pm 0.4\text{ mm}$; $d_t = 0.60 \pm 0.06\text{ mm}$								
1500	4.5 x 12.5 (14.0) x 13.5	0.60	60152	2000			98031	1300
1800	5.0 x 13.0 (14.5) x 13.5	0.70	60182	2000			98032	1200
2200	5.5 x 13.5 (15.0) x 13.5	0.80	60222	2000			98033	1100
2700		0.60	60272		64272			
3300	6.0 x 14.0 (15.5) x 13.5	0.65	60332	1750			64332	1000
3900	6.5 x 14.5 (16.0) x 13.5	0.70	60392	1500			64392	900

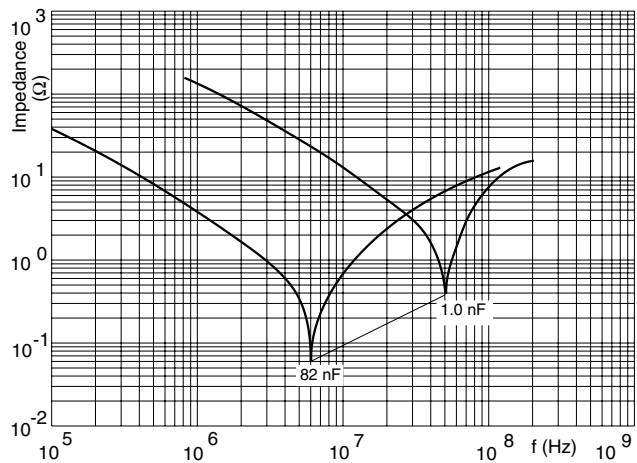
Note

- Dimensions between brackets for taped versions

CAPACITANCE



IMPEDANCE

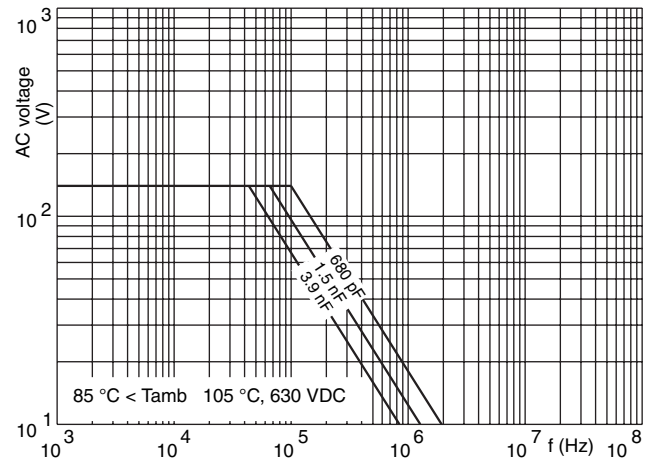
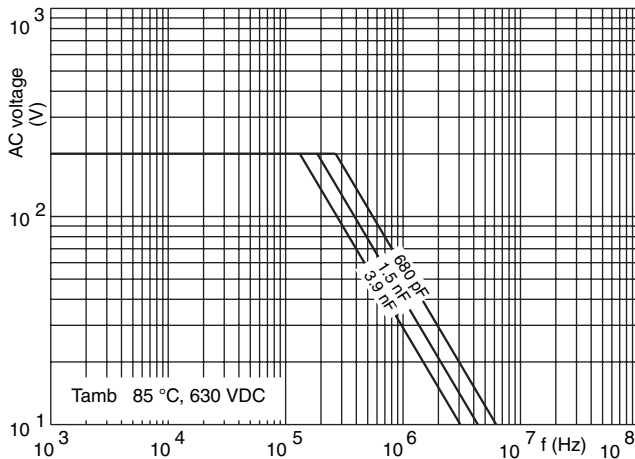
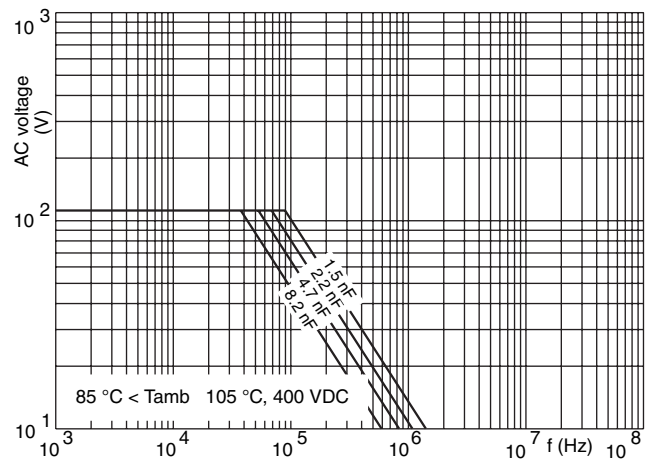
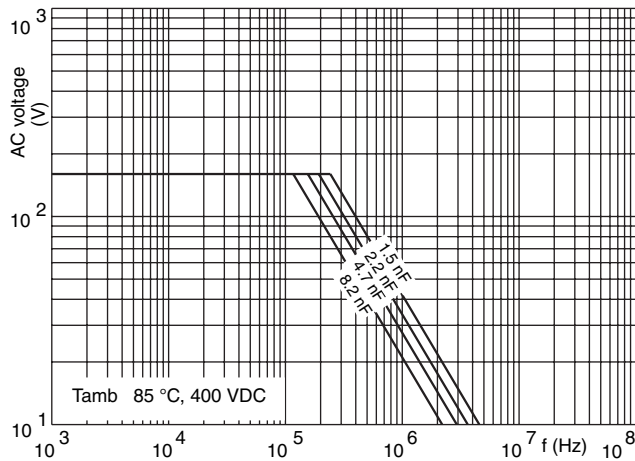
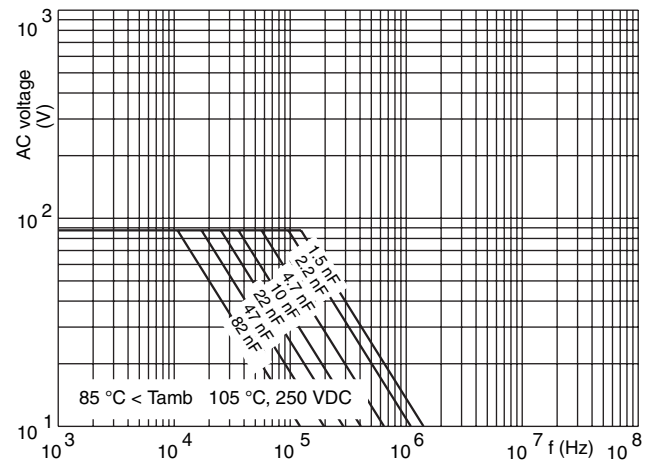
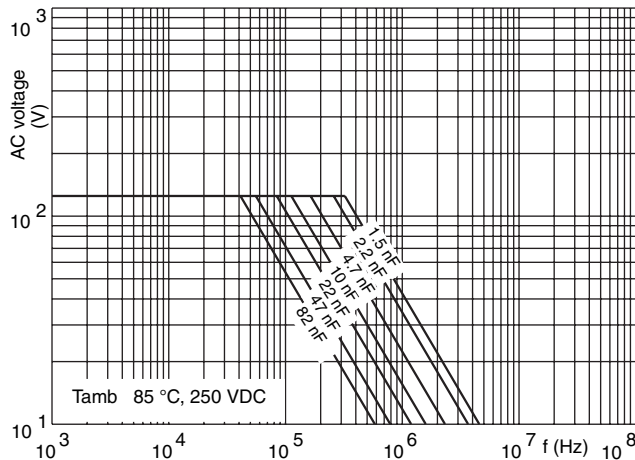




AC and Pulse Polypropylene Film
Foil Capacitors
KP Radial Epoxy Lacquered Type

Vishay BCcomponents

MAXIMUM RMS VOLTAGE (SINEWAVE) AS A FUNCTION OF FREQUENCY





Disclaimer

All product specifications and data are subject to change without notice.

Vishay Intertechnology, Inc., its affiliates, agents, and employees, and all persons acting on its or their behalf (collectively, "Vishay"), disclaim any and all liability for any errors, inaccuracies or incompleteness contained herein or in any other disclosure relating to any product.

Vishay disclaims any and all liability arising out of the use or application of any product described herein or of any information provided herein to the maximum extent permitted by law. The product specifications do not expand or otherwise modify Vishay's terms and conditions of purchase, including but not limited to the warranty expressed therein, which apply to these products.

No license, express or implied, by estoppel or otherwise, to any intellectual property rights is granted by this document or by any conduct of Vishay.

The products shown herein are not designed for use in medical, life-saving, or life-sustaining applications unless otherwise expressly indicated. Customers using or selling Vishay products not expressly indicated for use in such applications do so entirely at their own risk and agree to fully indemnify Vishay for any damages arising or resulting from such use or sale. Please contact authorized Vishay personnel to obtain written terms and conditions regarding products designed for such applications.

Product names and markings noted herein may be trademarks of their respective owners.