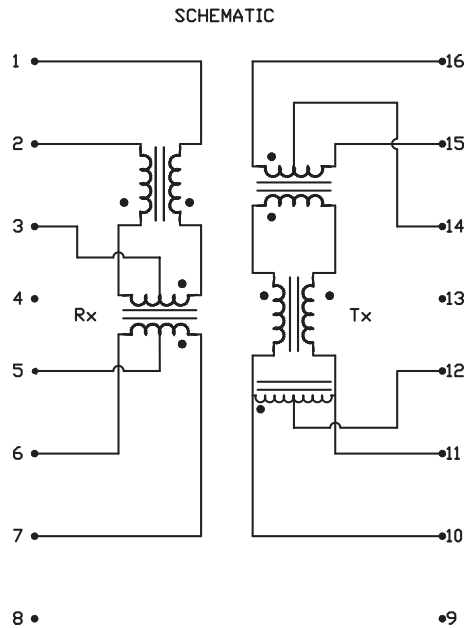


10/100BASE-T LAN MAGNETICS

S558-5999-46-F Single Port Transformer Module



ELECTRICAL CHARACTERISTICS @ 25°C



URNS RATIO

(1-3-2) : (7-5-6)
(16-14-15) : (10-12-11)

1CT : 1CT
1CT : 1CT

PHASING

1 TO 7 AND 16 TO 10 IN PHASE

DCL

(7-6) OPEN 1 & 2
(10-11) OPEN 16 & 15

420uH MIN. AT 100kHz, 100mV
WITH 8mA DC BIAS

INSERTION LOSS

1.0dB MAX AT 100kHz TO 80MHz

RETURN LOSS

MEASURED UNDER A 100 Ω
ENVIRONMENT (16-15) TO (10-11)
(6-7) TO (1-2)

FREQ	2MHz	10MHz	30MHz	45MHz	60MHz	80MHz
MIN.	20dB	20dB	19dB	16dB	13dB	12dB

RETURN LOSS

MEASURED UNDER 25 AND 100 Ω
IMPEDANCE ENVIRONMENT ACROSS
(16-14) AND (10-11)
RESPECTIVELY

17dB MIN AT 5MHz & 10MHz

CMR

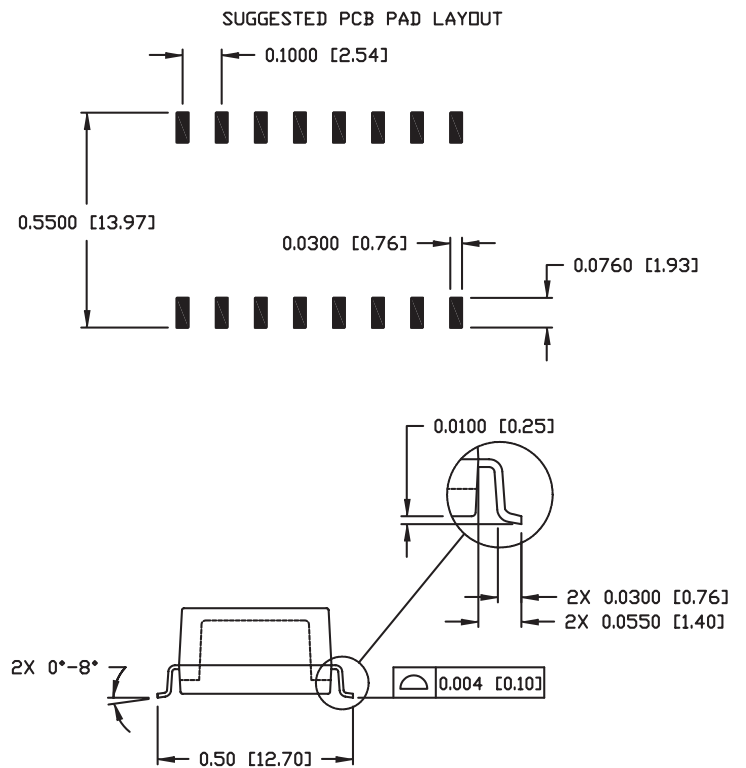
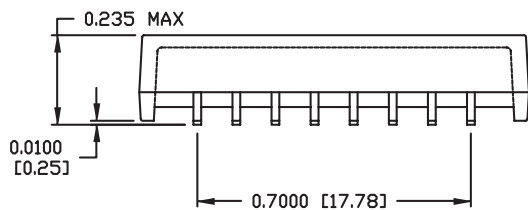
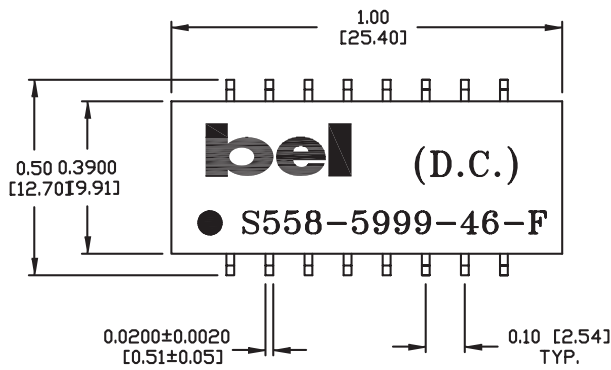
40dB MIN AT 100kHz TO 50MHz
30dB MIN ABOVE 50M TO 100MHz

CROSSTALK

30dB MIN AT 100kHz TO 100MHz
PER HAND-WORK-03

HIPOT

10/100BASE-T LAN MAGNETICS
S558-5999-46-F Single Port Transformer Module



NOTES:

1. STANDARD MARKING REFER TO DOC. HAND-WORK-04.
2. PACKAGE CODE: "RNS001".