

# Stewart Connector

**Stewart Connector Systems, Inc.**  
**Insilco Technologies Group**  
 11118 Susquehanna Trail South  
 Glen Rock, PA 17327-9199  
 (717) 235-7512 Fax: (717) 235-7954

REV.	REVISION CHANGES
X0	AS DRAWN

PART NO. 943-SP-370808SM2-A404

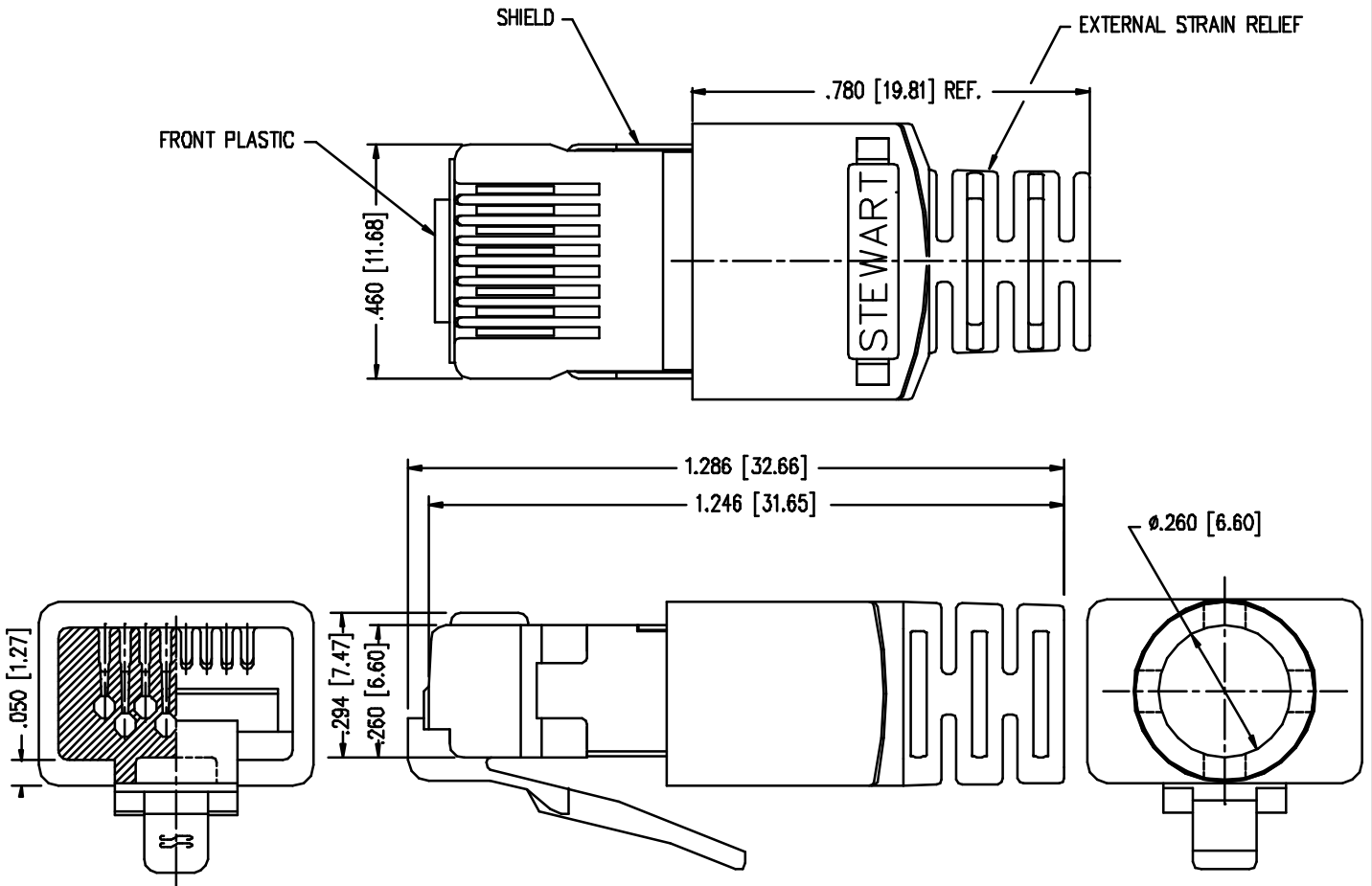
8 X 8 SHIELDED PLUG  
 CONSISTING OF:

**FOR REFERENCE  
 ONLY**

PRE-INSERTED FRONT & SHIELD ASSY P.N.  
 943-SP-370808SM2-FS  
 MANAGEMENT BAR P.N. 370808M2-MB-A264  
 FERRULE- P.N. F-270-205  
 STRAIN RELIEF- P.N. 361010-SRX-260-A267 (GRAY)  
 CONTACT-SEE NOTE



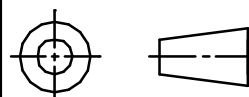
MANAGEMENT BAR



**NOTE:**

- TOLERANCES COMPLY WITH F.C.C. DIMENSION REQUIREMENTS. ALL OTHERS  $\pm 0.003$  [0.08] UNLESS OTHERWISE SPECIFIED.
- DIMENSIONS NOT SHOWN COMPLY WITH F.C.C. REQUIREMENTS
- 943 FOR SOLID CONDUCTOR
- PLUG SPECIFICATIONS: MEETS CATEGORY 5 SPECS AS TESTED PER ANNEX B OF EIA/TIA 2840

THIRD ANGLE PROJECTION



THIS DRAWING AND THE SUBJECT MATTER SHOWN THEREON ARE CONFIDENTIAL AND THE PROPRIETARY PROPERTY OF STEWART CONNECTOR SYSTEMS ("SCS") AND SHALL NOT BE REPRODUCED, COPIED OR USED IN ANY MANNER WITHOUT PRIOR WRITTEN CONSENT OF "SCS". THE SUBJECT MATTER MAY BE PATENTED OR A PATENT MAY BE PENDING. © SCS