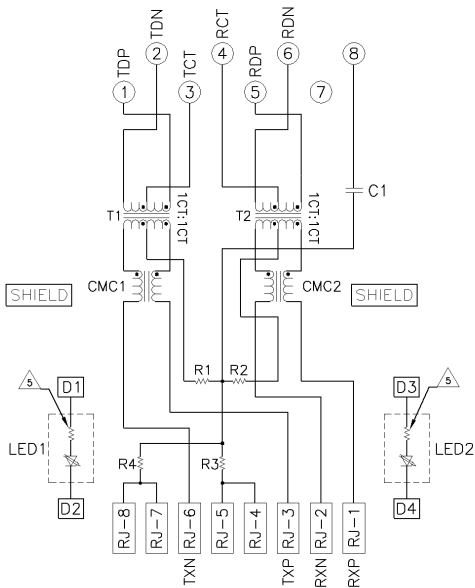
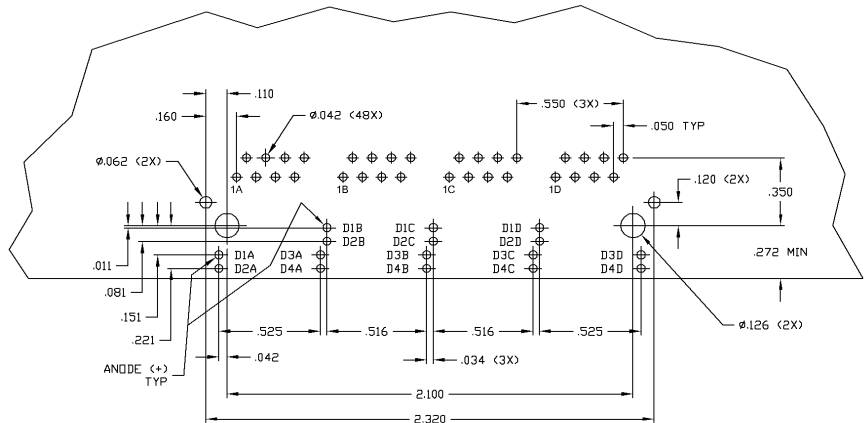
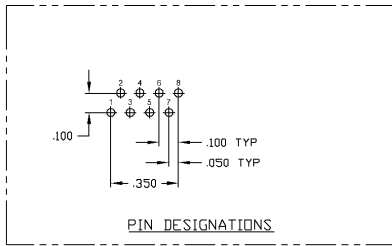


766 SERIES MAGNETIC CIRCUIT



C1 = 1000pF, 2kV CAPACITOR
 R1-R4 = 75 OHMS, 1/16 W RESISTOR



SUGGESTED PCB LAYOUT
 (COMPONENT SIDE)

THIS DRAWING IS A CONTROLLED DOCUMENT.		REV	DATE	REVISIONS
DRAWING NO.		AA	22	1
REV				
DATE				
BY				
CHECKED				
APPROVED				
CUSTOMER DRAWING				