

THE INFORMATION CONTAINED HEREIN IS CONSIDERED "PROPRIETARY" TO BEL FUSE INC. AND SHALL NOT BE COPIED, REPRODUCED OR DISCLOSED WITHOUT THE WRITTEN APPROVAL OF BEL FUSE INC.

LED1 POLARITY			LED2 POLARITY		
PIN 13	PIN 14	COLOR	PIN 15	PIN 16	COLOR
-	+	YELLOW	+	-	ORANGE
/	/	/	-	+	GREEN

PRELIMINARY

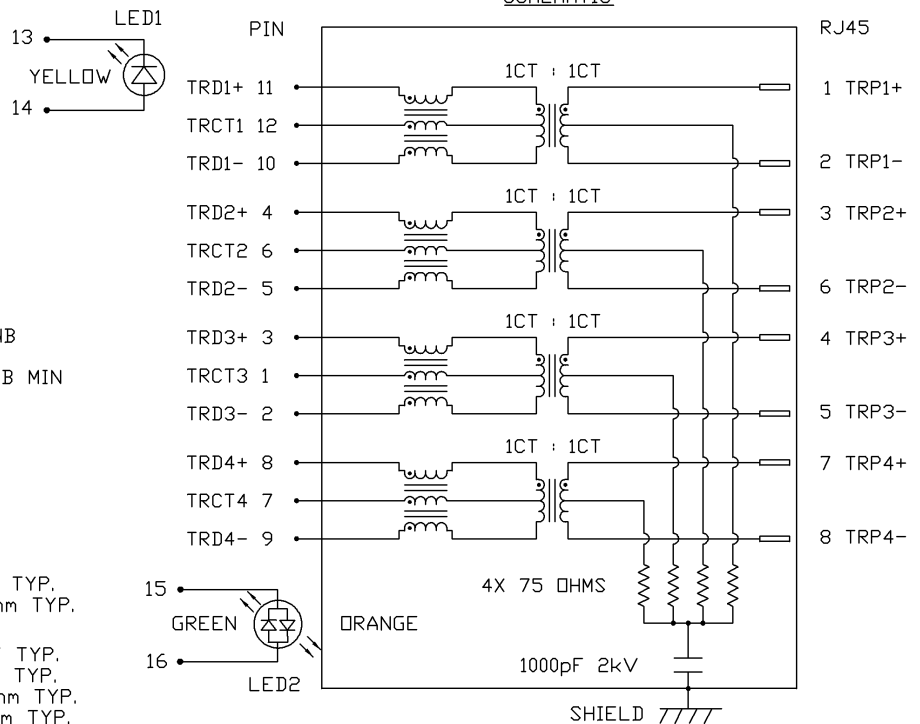
RoHS  
2002/95/EC



ELECTRICAL CHARACTERISTICS @ 25°C

<p> <b>URNS RATIO</b>            TP1 1CT : 1CT ±2%            TP2 1CT : 1CT ±2%            TP3 1CT : 1CT ±2%            TP4 1CT : 1CT ±2%  <b>DCL @ 100kHz/100mVRMS</b>            8mA DC BIAS 350µH MIN.  <b>INS. LOSS</b>            0.1MHz TO 1MHz -1.1 dB MAX            1MHz TO 65MHz -0.5 dB MAX            65MHz TO 100MHz -0.8 dB MAX            100MHz TO 125MHz -1.2 dB MAX  <b>RET. LOSS (MIN)</b>            0.5MHz-40MHz -18 dB            40MHz-100MHz -12+20LOG(f/80MHz) dB  <b>CROSS TALK</b>            100kHz - 100MHz -33+20LOG(f/100MHz)dB MIN  <b>CM TO CM REJ</b>            100kHz - 100MHz -30 dB MIN  <b>CM TO DM REJ</b>            100kHz - 100MHz -35 dB MIN  <b>HIPOT (Isolation Voltage):</b> 1500 Vrms            100% OF PRODUCTION TESTED TO COMPLY WITH IEEE 802.3 ISOLATION REQUIREMENTS.  <b>LED 1</b>            VF (FORWARD VOLTAGE) IF=20mA YELLOW 2.1V TYP.            λ D (DOMINANT WAVELENGTH) IF=20mA YELLOW 590nm TYP.  <b>LED 2</b>            VF (FORWARD VOLTAGE) IF=20mA GREEN 2.2V TYP.            ORANGE 2.0V TYP.            λ D (DOMINANT WAVELENGTH) IF=20mA GREEN 565nm TYP.            ORANGE 610nm TYP.         </p>	
--	--

SCHEMATIC



<b>ORIGINATED BY</b> CHOW WANCHUNG	<b>DATE</b> 08-19-08	<b>TITLE</b> gigabit MagJack® (8 cores, Tab Up) 0826-1X1T-43P-F	<b>PART NO. / DRAWING NO.</b> 08261X1T43PF	<b>STANDARD DIM.</b> TOL. IN INCH .X .XX .XXX	[ ] METRIC DIM. AS REFERENCE <b>UNIT :</b> INCH [mm] <b>SCALE :</b> N/A 	<b>REV. :</b> PB <b>SIZE :</b> A4 <b>PAGE :</b> 2	
<b>DRAWN BY</b> WEIDE LEE	<b>DATE</b> 08-19-08	<b>FILE NAME</b> 08261X1T43PF_PB.DWG	COMPONENTS ON A CONNECTED PLANET				

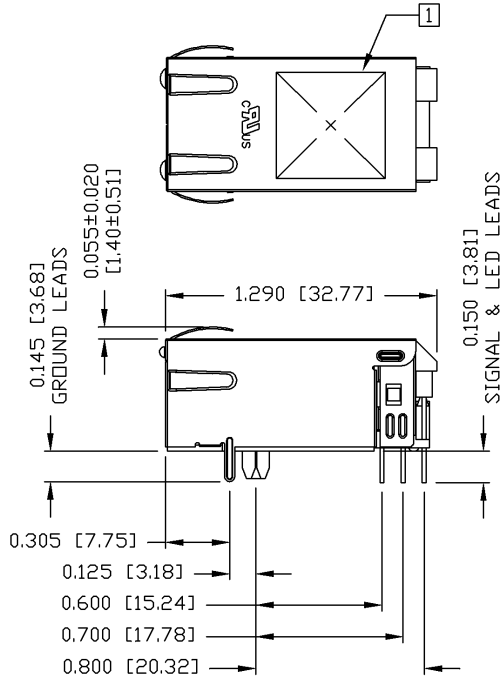
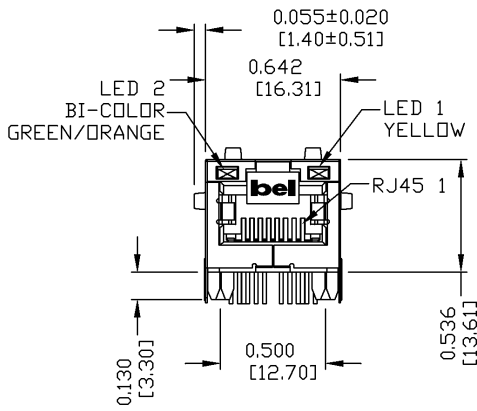
DC002(2)032305

This document is electronically generated. This is a controlled copy if used internally

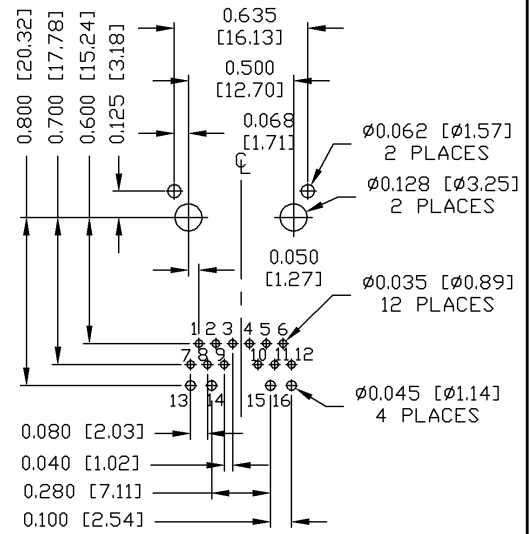
THE INFORMATION CONTAINED HEREIN IS CONSIDERED "PROPRIETARY" TO BEL FUSE INC. AND SHALL NOT BE COPIED, REPRODUCED OR DISCLOSED WITHOUT THE WRITTEN APPROVAL OF BEL FUSE INC.

MECHANICAL SPECIFICATION

PRELIMINARY



RECOMMENDED PCB FOOTPRINT  
COMPONENT SIDE VIEW



- NOTES:**  
 PLASTIC HOUSING: THERMOPLASTIC PA  
 FLAMMABILITY RATING UL 94V-0  
 CONTACTS: 50 MICRO-INCH HARD GOLD PLATING  
 OUTPUT PINS: TIN-COATED COPPER WIRE, DIA 0.018 INCH.  
 METAL SHIELD: NICKEL PLATED ON COPPER ALLOY.  
 (ALL GROUND LEADS ARE SOLDER DIPPED)

1. MARK PART WITH MFG LOGO, MFG NAME, PART NUMBER, AND DATE CODE.

**UL** US UL RECOGNIZED - FILE #E196366 AND E169987.  
 RoHS COMPLIANT, PER EU DIRECTIVE 2002/95/EC  
 JACK CAVITY CONFORMS TO FCC RULES AND REGULATIONS.

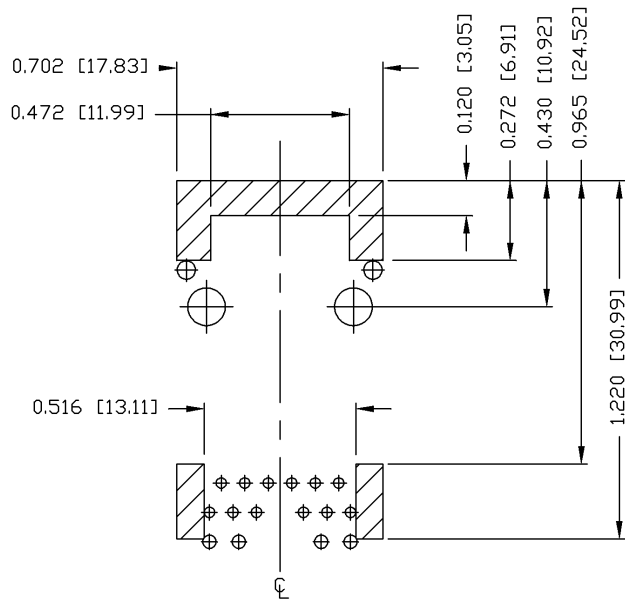
ORIGINATED BY ZX HUANG	DATE 08-19-08	TITLE gigabit MagJack® (8 cores, Tab Up)	PART NO. / DRAWING NO. 08261X1T43PF	STANDARD DIM. TOL. IN INCH	[ ] METRIC DIM. AS REFERENCE	 COMPONENTS ON A CONNECTED PLANET
DRAWN BY BL CHEN	DATE 08-19-08	FILE NAME 08261X1T43PF_PB.DWG	.X	UNIT : INCH [mm]	REV. : PB	
			.XX	SCALE : N/A	SIZE : A4	
			.XXX ±0.010		PAGE : 3	

DC002(2)032305

This document is electronically generated. This is a controlled copy if used internally

THE INFORMATION CONTAINED HEREIN IS CONSIDERED "PROPRIETARY" TO BEL FUSE INC. AND SHALL NOT BE COPIED, REPRODUCED OR DISCLOSED WITHOUT THE WRITTEN APPROVAL OF BEL FUSE INC.

PRELIMINARY



NOTES

THE SHADED AREA ON THE CUSTOMER BOARD ARE RECOMMENDED TO BE CLEAR OFF ANY VIA HOLE OR COMPONENT PAD.

<b>ORIGINATED BY</b> ZX HUANG	<b>DATE</b> 08-19-08	<b>TITLE</b> gigabit MagJack® (8 cores, Tab Up) 0826-1X1T-43P-F	<b>PART NO. / DRAWING NO.</b> 08261X1T43PF	<b>STANDARD DIM.</b> TOL. IN INCH	<b>[ ] METRIC DIM. AS REFERENCE</b>	 COMPONENTS IN A CONNECTED PLANET
<b>DRAWN BY</b> BL CHEN	<b>DATE</b> 08-19-08		<b>FILE NAME</b> 08261X1T43PF_PB.DWG	.X .XX .XXX	UNIT : INCH [mm] SCALE : N/A	
			±0.004			

DC002(2)032305

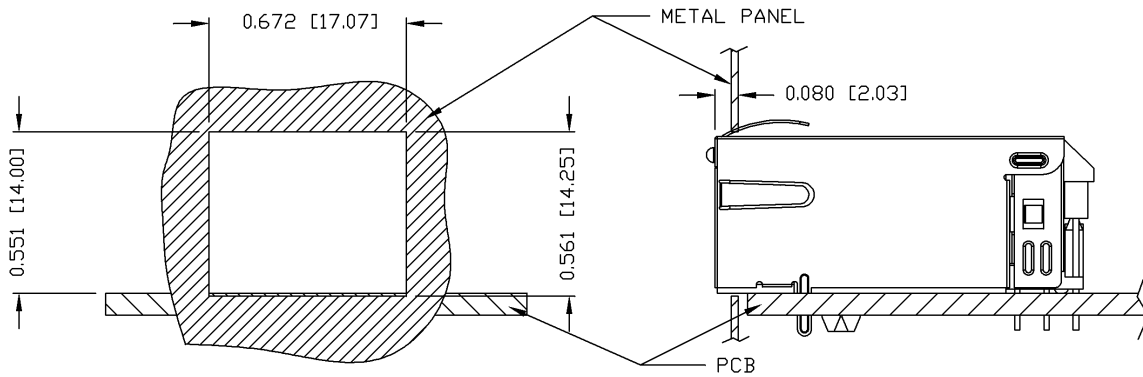
This document is electronically generated. This is a controlled copy if used internally

THE INFORMATION CONTAINED HEREIN IS CONSIDERED "PROPRIETARY" TO BEL FUSE INC. AND SHALL NOT BE COPIED, REPRODUCED OR DISCLOSED WITHOUT THE WRITTEN APPROVAL OF BEL FUSE INC.

PRELIMINARY



SUGGESTED PANEL OPENING



NOTE:

THE DISTANCE OF PANEL INSIDE SURFACE RELATIVE TO FRONT SURFACE OF PART IS ONLY A SUGGESTION. IN CASE THIS DISTANCE IS DIFFERENT, THE REQUIRED PANEL OPENING DIMENSIONS CHANGE ACCORDINGLY.

PACKING INFORMATION

PACKING TRAY : 0200-9999-F6 (TOP)  
0200-9999-F7 (BOTTOM)

PACKING QUANTITY : 40 PCS FINISHED GOODS PER TRAY  
10 TRAYS (400 PCS FINISHED GOODS) PER CARTON BOX

NOTE : CARDBOARDS ARE PLACED BETWEEN LAYERS OF PACKING TRAY INSIDE CARTON BOX  
(INCLUDE THE UPPERMOST AND LOWERMOST TRAY)

ORIGINATED BY ZX HUANG	DATE 08-19-08	TITLE gigabit MagJack® (8 cores, Tab Up) 0826-1X1T-43P-F	PART NO. / DRAWING NO. 08261X1T43PF	STANDARD DIM. TOL. IN INCH	[ ] METRIC DIM. AS REFERENCE	REV. : PB SIZE : A4 PAGE : 5	 COMPONENTS FROM A CONNECTED PLANET
DRAWN BY BL CHEN	DATE 08-19-08		FILE NAME 08261X1T43PF_PB.DWG	.X .XX .XXX ±0.004	UNIT : INCH [mm] SCALE : N/A		

DC002(2)082305

This document is electronically generated. This is a controlled copy if used internally