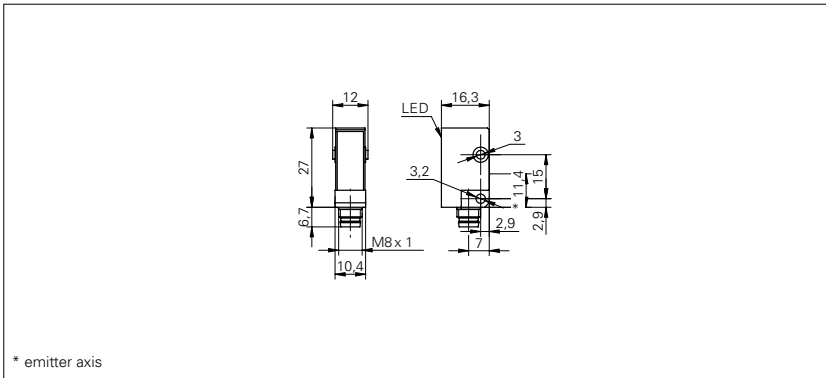


Through beam sensors

OSDK 10D9005/S35A

dimension drawing



general data

type	through beam laser sensor
emitter / receiver	emitter
light source	pulsed red laser diode
actual range S_b	8 m
nominal range S_n	10 m
laser class	1
distance to focus	parallel beam
wave length	650 nm

electrical data

voltage supply range +Vs	11 ... 30 VDC
current consumption max. (no load)	30 mA
current consumption typ.	25 mA
reverse polarity protection	yes

mechanical data

width / diameter	10,4 mm
height / length	27 mm
depth	16,3 mm
type	rectangular
housing material	plastic (ASA)
front (optics)	PMMA
connection types	connector M8 4 pin

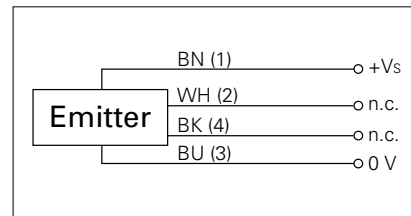
ambient conditions

operating temperature	-10 ... +50 °C
protection class	IP 67

photo



connection diagram



laser warning

**CLASS 1 LASER
PRODUCT**

Complies with 21 CFR 1040.10 and 1040.11
except for deviations pursuant to laser
notice No. 50, dated June 24, 2007