

BOS 18KW-PA-1LOB-C-02

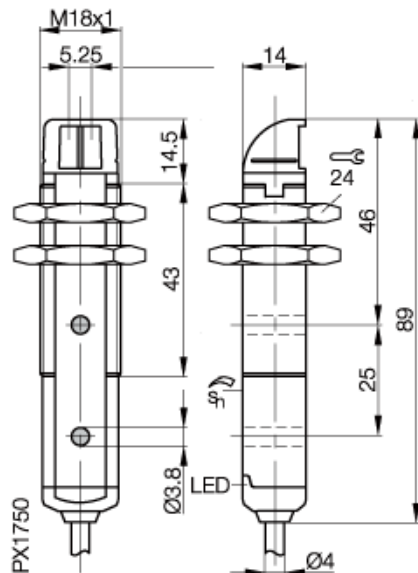
Photoelectric Sensors,

Diffuse

PNP
NO/NC

BALLUFF

sensors worldwide



Electrical data:

Connection	cable
Switching output	PNP
Switching element function	NO/NC
Operating frequency (f)	1500 Hz
supply current I _o max. at U _e	35 mA
Off Time delay	0,333 ms
On Time delay	0,333 ms
Rated operational voltage min.	10 V
Rated operational voltage max.	30 V
Ripple incl.	max. 10% from UB
Voltage drop U _d max. at I _e	2 V
no-load supply cur. emitter max	35 mA
no-load supply current rec. max	35 mA
Switching frequ. standard beam	1500 Hz
On Time delay (standard beam)	0,8 ms
Off time delay (standard beam)	0,333 ms

Mechanical data:

Cable code designation	PVC
Ambient temperature max	50 °C
Ambient temperature min	-10 °C
Sensing face material	PMMA
Housing material	PBT
weight	75 g
Range max.	250 mm
Version	M18x1

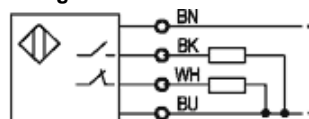
Optical data:

Emitter type	Laser, red light
wave length of emitted Light	650

General data:

Function indication	yes, yellow LED
Degree of protection IP	IP 67
Insulation class	2
Polarity reversal resistant	yes
Voltage drop at 100mA max.	2 V
On / off delay	0,333
Type	Diffuse

Wiring



www.balluff.com

Balluff Europe: +49 7158 173 -0
Balluff USA: 1-800-54 3-83 90
Balluff Asia: +86 21-50 64 41 31

Online Productinformation
2006-11-30