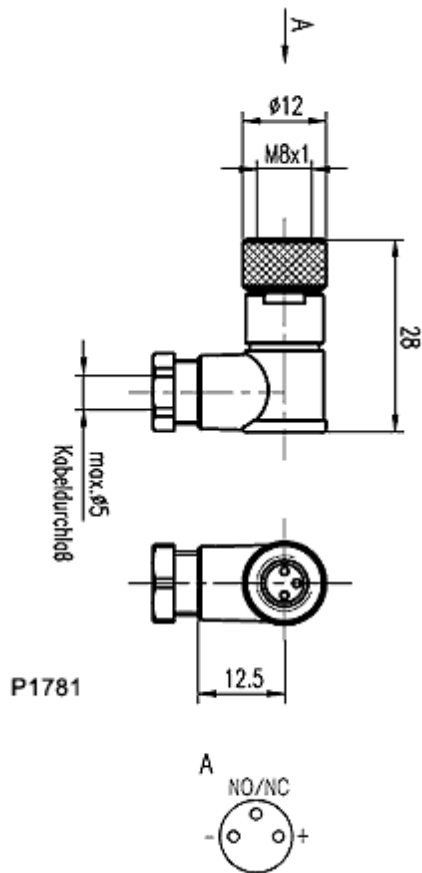


Accessories: Connectors BKS-S146-00



Common Data

Version	Connector, angle, 3-pin
Usable with	on Sensors with connection S49(DC,
M8)	
Manufacturer	Binder
Ambient temperature	-25°C...+120°C

Mechanical Data

Measurements WxHxD or Dia x D	28x12mm
Material	Body PA/PBT
Protection class per IEC 60529	67IP
Cable version	confectionable
Mounting	Solder terminal max. 0,25mm ²

Electrical Data

Supply voltage	10...30DCV
----------------	------------

Datasheet number::

Definitions see general catalog.
If not otherwise noted, ratings according to
IEC 60947-5-2 (DIN EN60947-5-2)

Balluff GmbH
P.O.Box 1160
73761 Neuhausen Germany
Phone (07158) 173-0 Fax (07158) 5010

Datenblatt by CD-ROM - 10/2004

BALLUFF