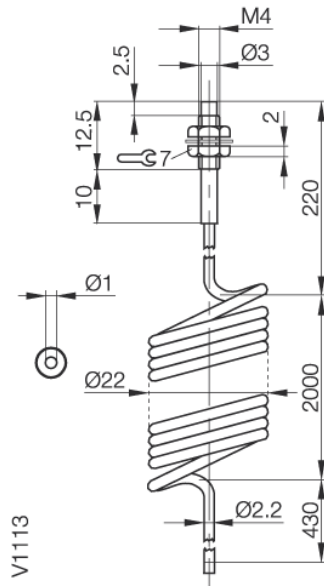


Fiber optic cables



Mechanical data:

Type	Through-beam
Diameter of Core	1 mm
Diameter of Jacket	2,2 mm
Fiber arrangement	Standard
Optical head attachment	M4 thread
Light exit	straight
max. Range	400 mm
max. Range with BFB 75K-001	400 mm
max. Range with BFB 75K-002	400 mm
max. Range with BOS 18KF	100 mm
max. Range with BOS 6K	190 mm
max. Range with BOS 73K	350 mm
max. Range with BOS 74K	190 mm
characteristics	spiral fibre
Fiber bending radius	25 mm
Sensing face material	plastic
Ambient temperature Ta max.	+60 °C
Ambient temperature Ta min.	-30 °C

General data:

Sensortyp	Fiber optics
For use with	Fiber optic amplifier