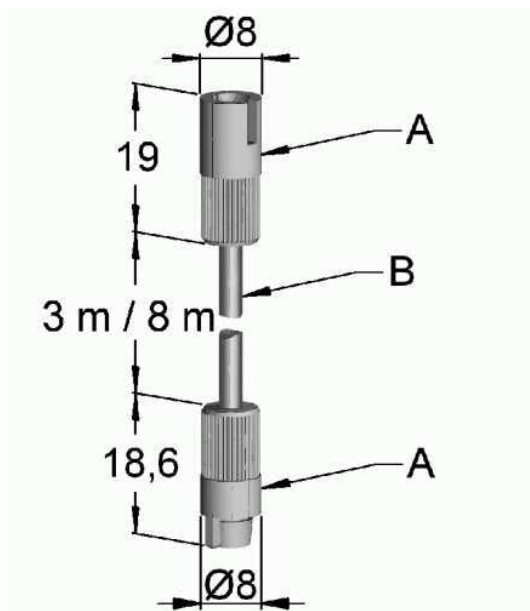


BCC Z002-030
Capacitive Sensors
Ordercode BCC04JY



Electrical data:

Connection type 3x 0,14mm² PUR
Housing/Thread Size Cable

Mechanical data:

Housing material A: PA; B: PUR
Operating temperature range -30...70 °C

General data: