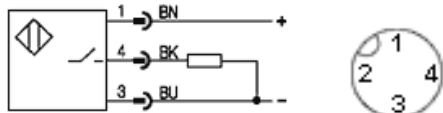
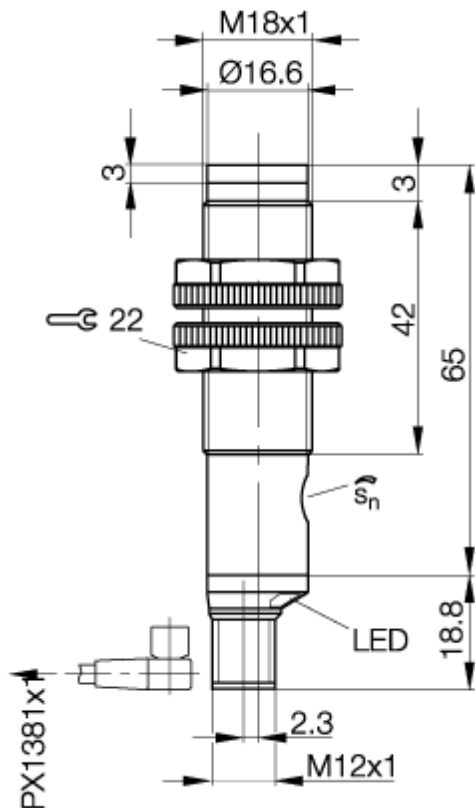


Photoelectric Sensor
BLE 18K-PS-1LT-E 5-C-S 4
Sn=50000mm
Laser-thru-beam



Common Data

Sensortype	Laser-thru-beam
Switching frequency	1500 Hz
Rated operating distance Sn in mm	50000
assured operating distance Sa	adjustable
Indication Supply Voltage	no
Indication Switching element on	yes
Indication Special funktion	Contamination indicator
Ambient temperature	-10...+50°C
On-delay	< 0,33 ms
Off-delay	< 5ms
Light	Laser, red, 660nm, Protection class 2
Sensitivity Adjustment	Poti
Permissible ambient light	5000 Lux
Output function	light-on

Mechanical Data

Measurements	M18x84
Housing material	ABS impact resistant
Material of sensing face	PMMA
Degree of protection	IP67
Connection	Connector S4 (M12)
Weighth	50g
Recommended connector	BKS-S20-4

Electrical Data

Current	DC
Switching function	normally-open
Output	PNP
Rated operational voltage Ue	24V DC
Rated operational current Ie	100mA
Supply Voltage	10...30V DC
Frequency of Supply Voltage	DC
No-load supply current	<20mA
Voltage drop	<2V
Short protection	yes
Protected against polarity reversal	yes
Rated insulation voltage	75V DC

Utilization categories
 Insulation class

Datasheet number:

Definitions see general catalog.
 If not otherwise noted, ratings according to
 IEC 60947-5-2 (DIN EN60947-5-2)

Balluff GmbH
 P.O.Box 1160
 73761 Neuhausen Germany
 Phone (07158) 173-0 Fax (07158) 5010

Datenblatt by CD-ROM - 10/2004

BALLUFF