



Withdrawn Products

The following products presented in this data sheet are being withdrawn:

B39389K3959D100

Date of withdrawal: 23-JUL-04
Deadline for last orders: 30-SEP-04
Last shipments:

For further information please contact your nearest EPCOS sales office, which will also support you in selecting a suitable substitute. The addresses of the sales offices are given on the Internet at www.epcos.com/sales.



SAW Components

Data Sheet K 3959 D

Data Sheet

A large, stylized, 3D-rendered version of the EPCOS logo, featuring the word "EPCOS" in a bold, sans-serif font, set against a dark, textured background with a glowing effect.



SAW Components

K 3959 D

IF Filter for Video Applications

38,90 MHz

Data Sheet

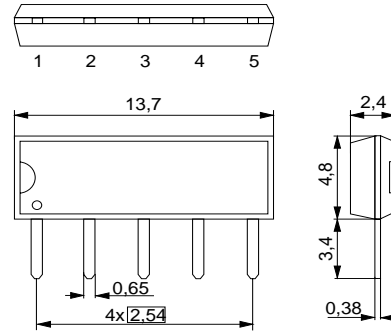
Standard

- B/G
- D/K
- I

Duroplast package **SIP5D**

Features

- TV IF filter with Nyquist slope and sound suppression
- Reduced group delay predistortion as compared with standard B/G half
- Suitable for CENELEC EN 55020
- Standard IC package



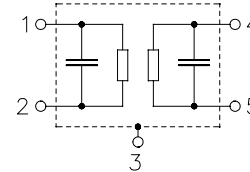
Terminals

- Tinned CuFe alloy

Dimensions in mm, approx. weight 0,5 g

Pin configuration

- 1 Input
- 2 Input - ground
- 3 Chip carrier - ground
- 4 Output
- 5 Output



Type	Ordering code	Marking and package according to	Packing according to
K 3959 D	B39389-K3959-N201	C61157-A1-A21	F61074-V8049-Z000

Maximum ratings

Operable temperature range	T_A	-25/+80	°C	
Storage temperature range	T_{stg}	-40/+85	°C	
DC voltage	V_{DC}	5	V	between any terminals
AC voltage	V_{pp}	10	V	between any terminals


SAW Components
K 3959 D
IF Filter for Video Applications
38,90 MHz
Data Sheet
Characteristics

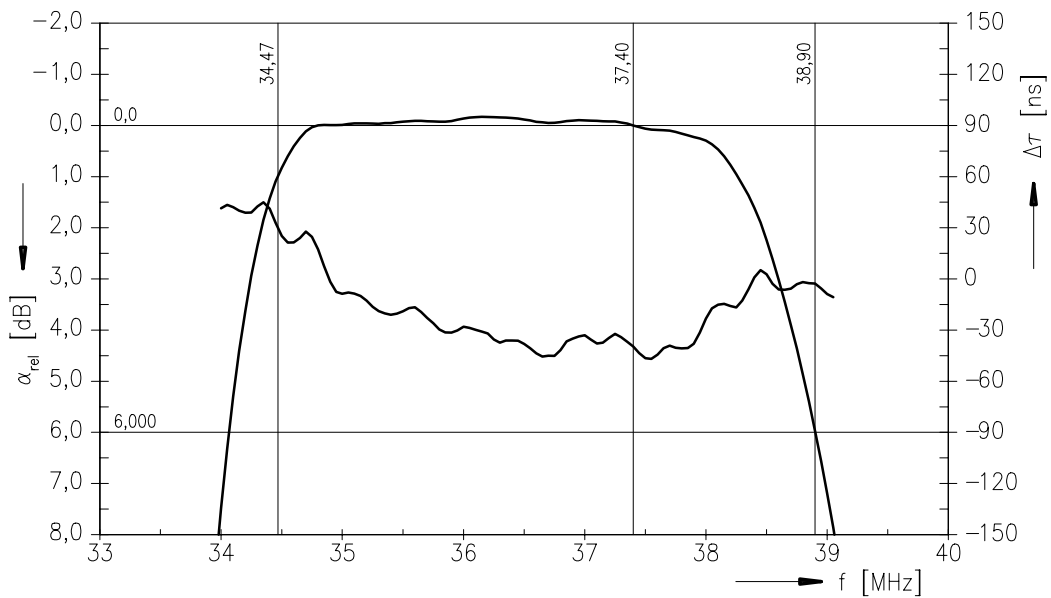
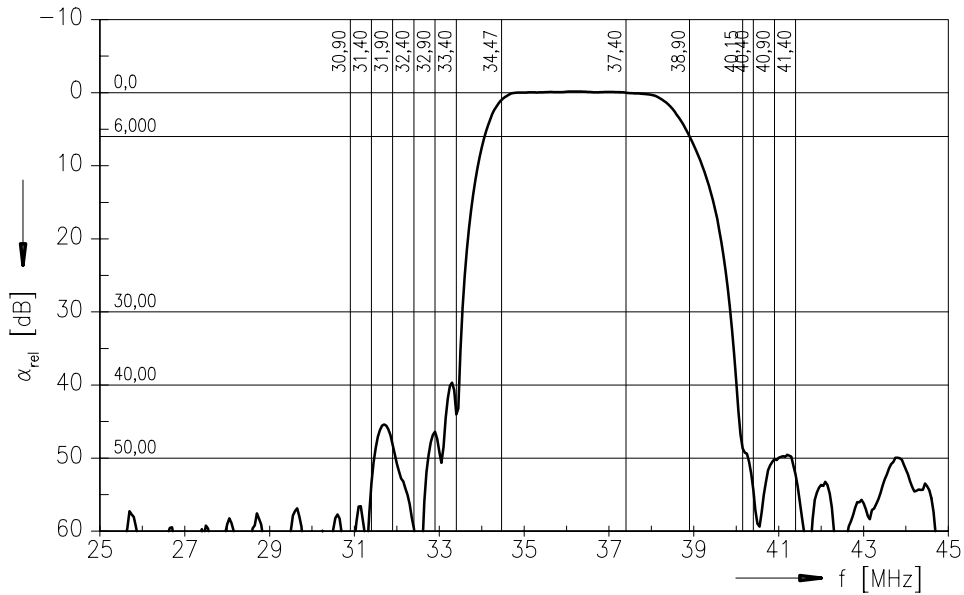
Reference temperature: $T_A = 25\text{ °C}$
 Terminating source impedance: $Z_S = 50\ \Omega$
 Terminating load impedance: $Z_L = 2\text{ k}\Omega \parallel 3\text{ pF}$

		min.	typ.	max.	
Insertion attenuation					
	α				
Reference level for the following data	37,40 MHz	12,9	14,4	15,9	dB
Relative attenuation					
	α_{rel}				
Picture carrier	38,90 MHz	5,1	6,1	7,1	dB
Color carrier	34,47 MHz	0,1	1,1	2,1	dB
Sound carrier	32,40 MHz	50,0	60,0	—	dB
	32,90 MHz	40,0	47,0	—	dB
	33,40 MHz	32,0	45,0	—	dB
Adjacent picture carrier	30,90 MHz	48,0	60,0	—	dB
	31,90 MHz	41,0	47,0	—	dB
	31,40 MHz	—	51,0	—	dB
Adjacent sound carrier	40,15 MHz	—	47,0	—	dB
	40,40 MHz	44,0	52,0	—	dB
	40,90 MHz	41,0	47,0	—	dB
	41,40 MHz	43,0	51,0	—	dB
Lower sidelobe	25,00 ... 30,90 MHz	45,0	52,0	—	dB
Upper sidelobe	41,40 ... 45,00 MHz	43,0	48,0	—	dB
Reflected wave signal suppression					
1,3 μ s ... 6,0 μ s after main pulse (test pulse 250 ns, carrier frequency 37,40 MHz)		42,0	52,0	—	dB
Feedthrough signal suppression					
1,3 μ s ... 1,2 μ s before main pulse (test pulse 250 ns, carrier frequency 37,40 MHz)		50,0	56,0	—	dB
Group delay predistortion					
(reference frequency 38,90 MHz)					
	$\Delta\tau$				
	36,90 MHz	—	-50	—	ns
	34,47 MHz	—	20	—	ns
Impedance at 37,40 MHz					
	Input: $Z_{IN} = R_{IN} \parallel C_{IN}$	—	1,3 19,8	—	k Ω pF
	Output: $Z_{OUT} = R_{OUT} \parallel C_{OUT}$	—	1,6 4,7	—	k Ω pF
Temperature coefficient of frequency					
	TC_f	—	-72	—	ppm/K



Data Sheet

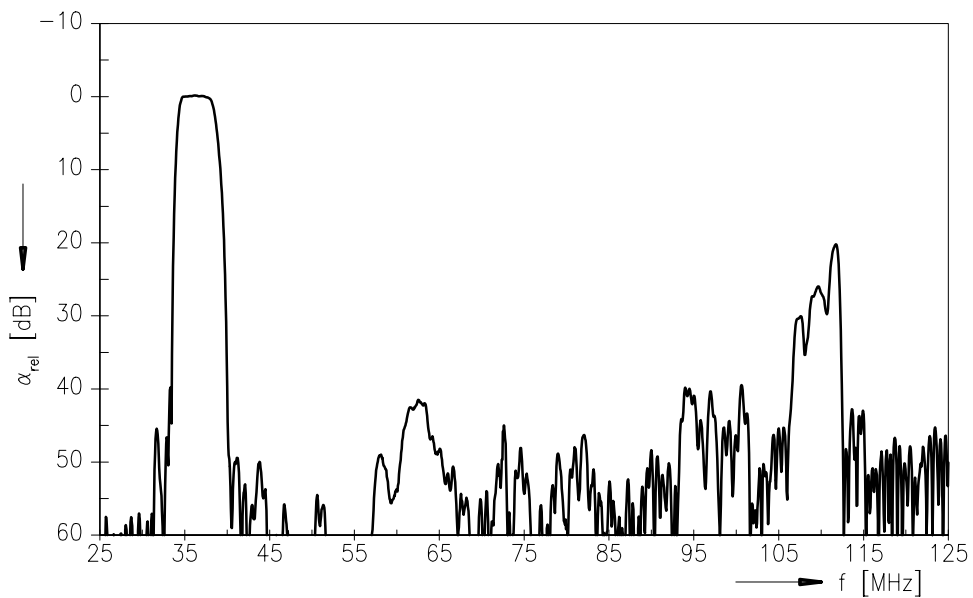
Frequency response



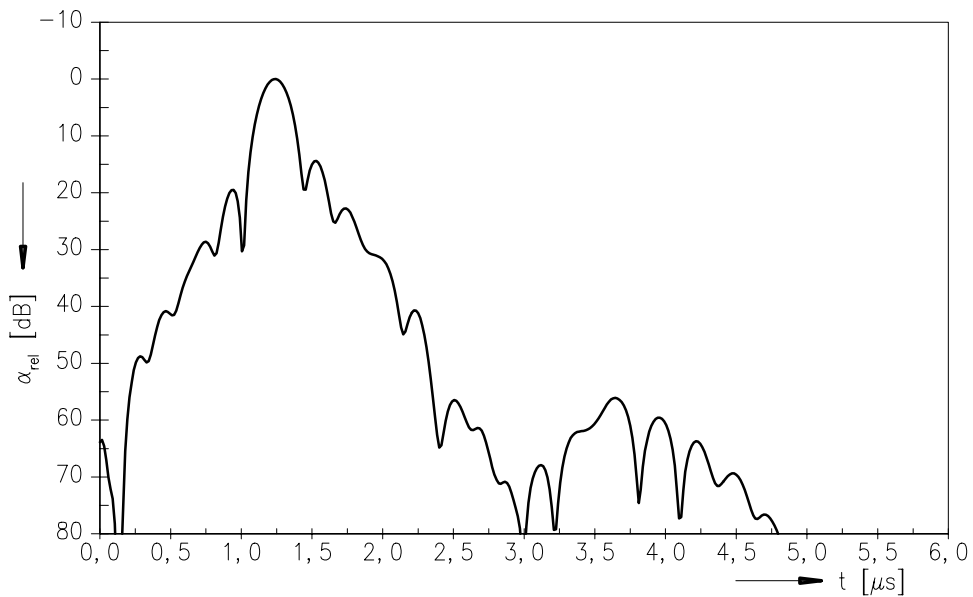


Data Sheet

Frequency response



Time domain response





SAW Components

K 3959 D

IF Filter for Video Applications

38,90 MHz

Data Sheet

Published by EPCOS AG
Surface Acoustic Wave Components Division, SAW CE MM PD
P.O. Box 80 17 09, D-81617 München

© EPCOS AG 2004. All Rights Reserved.

As far as patents or other rights of third parties are concerned, liability is only assumed for components per se, not for applications, processes and circuits implemented within components or assemblies.

The information describes the type of component and shall not be considered as assured characteristics.

Terms of delivery and rights to change design reserved.

For questions on technology, prices and delivery please contact the sales offices of EPCOS AG or the international representatives.

Due to technical requirements components may contain dangerous substances. For information on the type in question please also contact one of our sales offices.