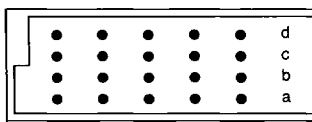




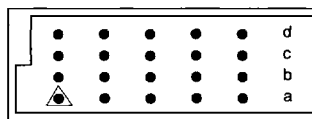
Contact Design and Termination Length	Number of Contacts	Loading Description	Part Number Performance classes according to DIN 41612		
			III	II	I
2.9 mm (Y) Straight	128	a + b + c + d fully loaded	10 8477 128 001 001	10 8477 128 001 026	10 8477 128 001 049
	126 + 2	4 rows fully loaded + ground	10 8477 128 101 001	10 8477 128 101 025	10 8477 128 101 049
4.5 mm (Y) Straight	128	a + b + c + d fully loaded	10 8477 128 002 001	10 8477 128 002 025	10 8477 128 002 049
	126 + 2	4 rows fully loaded + ground	10 8477 128 102 001	10 8477 128 102 025	10 8477 128 102 049
9.5 mm (Y) Straight	128	a + b + c + d fully loaded	10 8477 128 005 001	10 8477 128 005 025	10 8477 128 005 049
13.0 mm (Y) Straight	128	a + b + c + d fully loaded	10 8477 128 006 001	10 8477 128 006 025	10 8477 128 006 049
14.5 mm (Y) Straight	128	a + b + c + d fully loaded	10 8477 128 007 001	10 8477 128 007 025	10 8477 128 007 049

NB: Alternative Prefix Variations Available: 12, 14, 15, 16 & 17, please refer to page 11.
Additional Plating & Loading Variations: Please contact your local AVX sales office or distributor.

Loading Description

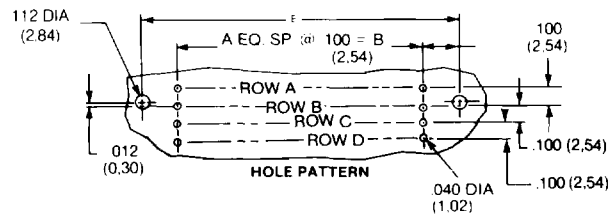
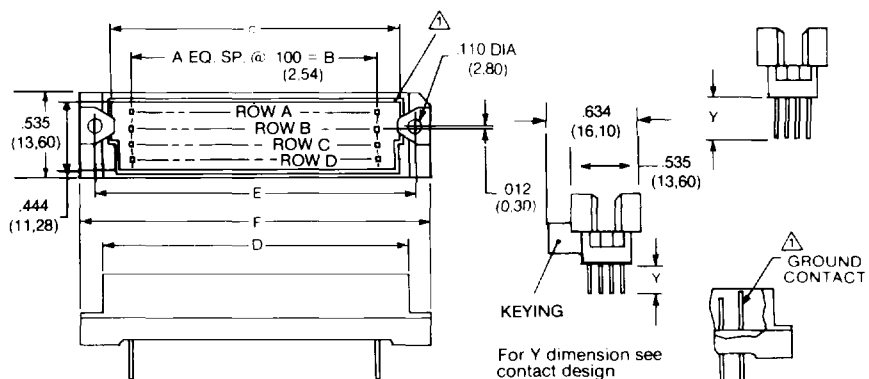


128 a + b + c + d fully loaded



126 + 2 contacts, fully loaded with ground in A1 & A32

Dimensions



Unit: Inches (mm)

No. Contact Positions	Contact Rows	A	B	C	D	E	F
128	4 (4 x 32)	31	3.100 (78.74)	3.358 (85.29)	3.461 (87.91)	3.543 (89.99)	3.736 (94.89)

△ denotes ground pin