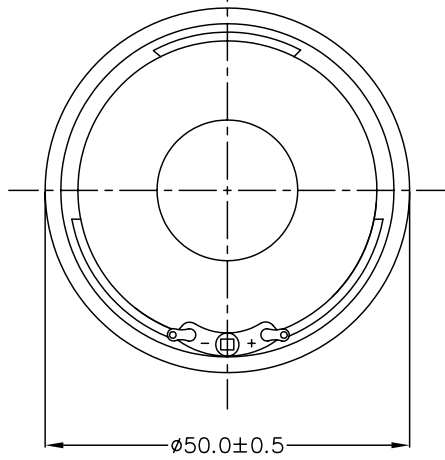


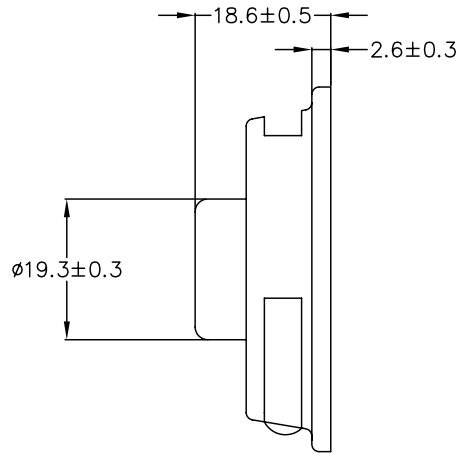
THIS DOCUMENT CONTAINS DATA PROPRIETARY TO PROJECTS UNLIMITED, INC. ANY USE OR REPRODUCTION, IN ANY FORM, WITHOUT PRIOR WRITTEN PERMISSION OF PROJECTS UNLIMITED, INC. IS PROHIBITED.
© 2003, Projects Unlimited Inc.

SPECIFICATIONS

| PARAMETERS | VALUES | UNITS |
|---|--------------|-------|
| RATED INPUT POWER | 1 | W |
| MAX INPUT POWER | 2 | W |
| IMPEDANCE | 8±15% | OHM |
| OUTPUT SPL @ 1W/0.5M (AT 0.8, 1.0, 1.2, 1.5 kHz) | 85±3 | dB |
| DISTORTION | 5% | - |
| RESONANT FREQUENCY | 250±80 | Hz |
| FREQUENCY RANGE | 200 ~ 20,000 | Hz |
| HOUSING MATERIAL | METAL | - |
| CONE MATERIAL | PAPER | - |
| MAGNET MATERIAL | Nd-Fe-B | - |
| OPERATING TEMPERATURE | -40 ~ +85 | °C |
| WEIGHT | 23 | grams |




| REVISIONS | | | |
|-----------|---------------------------|---------|----------|
| LTR | DESCRIPTION | DATE | APPROVED |
| - | RELEASED FROM ENGINEERING | 8/14/03 | |
| A | REVISED TO NEW TEMPLATE | 4/15/04 | R. W. |



NOTES:

1. ALL DIMENSIONS ARE IN MILLIMETERS.
2. SPECIFICATION SUBJECT TO CHANGE OR WITHDRAWAL WITHOUT NOTICE.

FILE NAME
AS5008-34.DWG

| UNLESS OTHERWISE SPECIFIED: DIMENSIONS ARE IN MILLIMETERS. TOLERANCES ARE ±0.5 AND ANGLES ARE ±3°. | |  projects® unlimited Dayton, Ohio | | | | | | | |
|--|--------------------------|--|--------------|---------------------|------|----------------------|------|------------------------------|--|
| <table border="1"> <thead> <tr> <th>APPROVALS</th> <th>DATE</th> </tr> </thead> <tbody> <tr> <td>DRAWN <i>R.A.C.</i></td> <td>8/03</td> </tr> <tr> <td>APPROVED <i>R.W.</i></td> <td>8/03</td> </tr> </tbody> </table> | | APPROVALS | DATE | DRAWN <i>R.A.C.</i> | 8/03 | APPROVED <i>R.W.</i> | 8/03 | DYNAMIC SPEAKER AS5008-34 | |
| APPROVALS | DATE | | | | | | | | |
| DRAWN <i>R.A.C.</i> | 8/03 | | | | | | | | |
| APPROVED <i>R.W.</i> | 8/03 | | | | | | | | |
| SIZE A | DRAWING NO. AS5008-34 | | | | | | | | |
| DO NOT SCALE DRAWING | | SCALE: N.T.S. | SHEET 1 OF 1 | | | | | | |