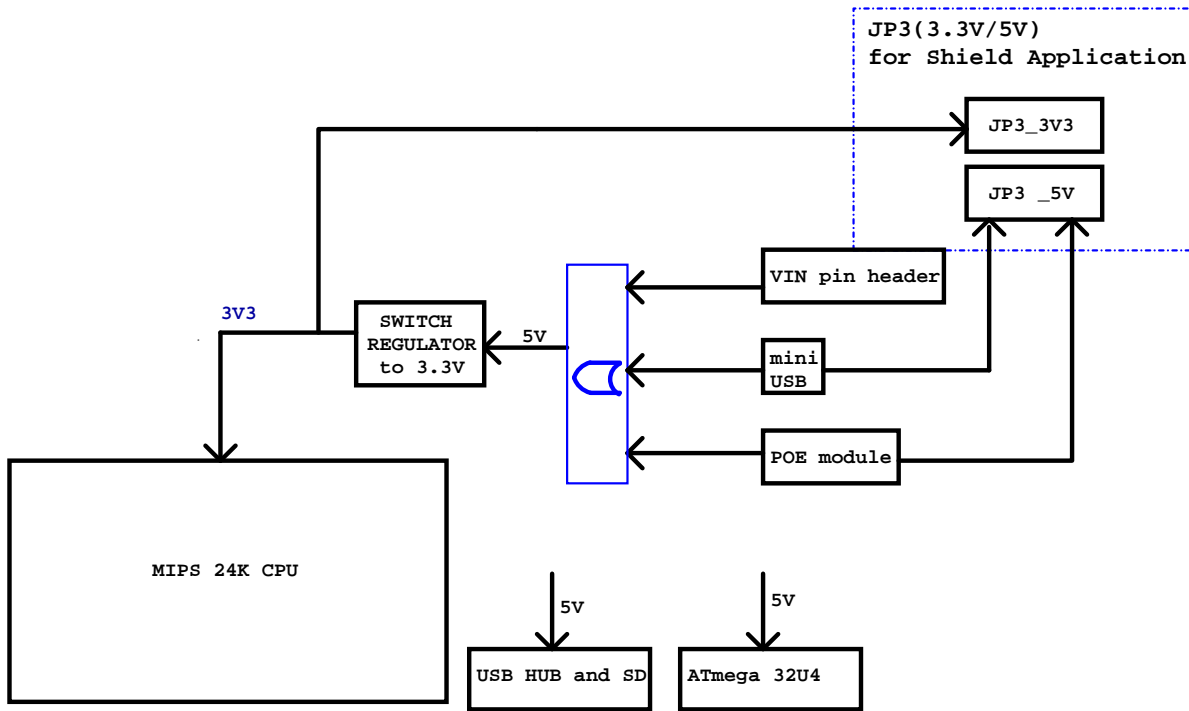


These files are licensed under a Creative Commons Attribution Share-Alike license, which allows for both personal and commercial derivative works, as long as they credit dog hunter LLC and release their designs under the same license. www.doghunter.org

The Linino software based on OpenWRT is also open-source. The source code is released under the GPL Version 3, 29 June 2007 license. www.linino.org

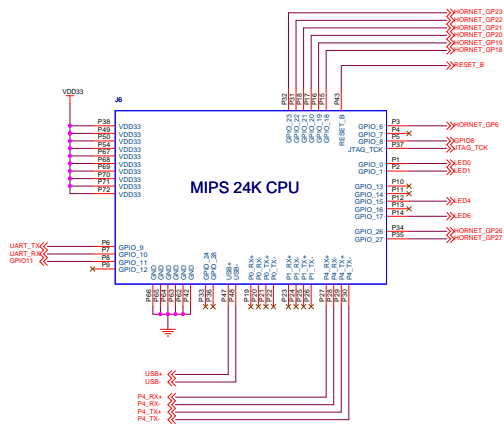
dog hunter dog hunter LLC
 8 Fenwick Hall Marketplace, 3rd Floor
 Boston, MA 02109 USA

File	01_Block Diagram		Rev	010
Doc	Document Number			
Comm	dogStick			
Date	Friday, August 30, 2013	Sheet	1	of 7



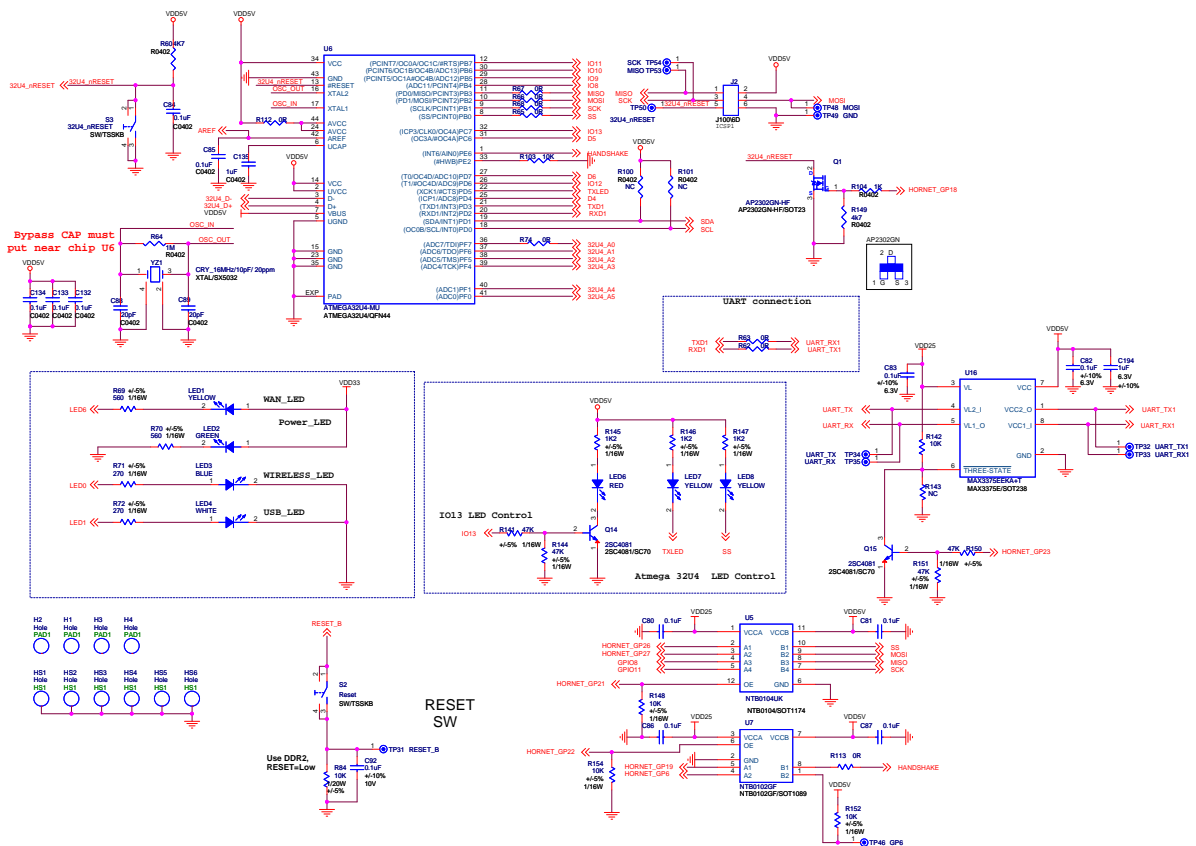
These files are licensed under a Creative Commons Attribution Share-Alike license, which allows for both personal and commercial derivative works, as long as they credit dog hunter LLC and release their designs under the same license. www.doghunter.org
 The Linino software based on OpenWRT is also open-source. The source code is released under the GPL Version 3, 29 June 2007 license. www.linino.org

		dog hunter LLC 8 Forest Hill Marketplace, 3rd Floor Boston, MA 02109 USA
File	02_Power Block Diagram	
Doc. Number	dogStick	
Rev	010	
Date	Friday, August 30, 2013	Sheet 3 of 7



These files are licensed under a Creative Commons Attribution Share-Alike license, which allows for both personal and commercial derivative works, as long as they credit dog hunter LLC and release their designs under the same license. www.doghunter.org
 The Linino software based on OpenWRT is also open-source. The source code is released under the GPL Version 3, 29 June 2007 license. www.linino.org

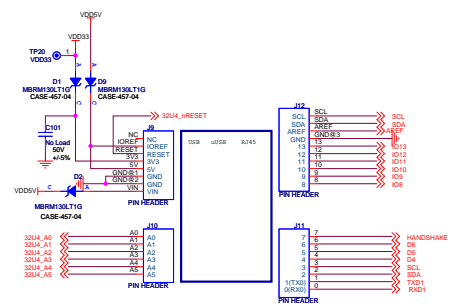
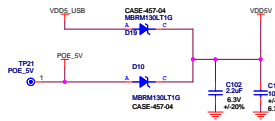
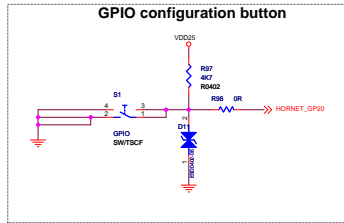
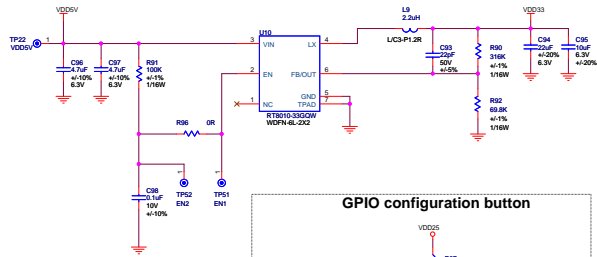
 dog hunter <small>dog hunter LLC 8 Forest Hill Marketplace, 3rd Floor Boston, MA 02109 USA</small>		File
		03_MIPS module
Doc	Document Number	dogStick
Rev	010	
Date	Friday, August 30, 2013	Sheet 3 of 7



These files are licensed under a Creative Commons Attribution Share-Alike license, which allows for both personal and commercial derivative works, as long as they credit dog hunter LLC and release their designs under the same license. www.doghunter.org
 The Linino software based on OpenWRT is also open-sorce. The source code is released under the GPL Version 3, 29 June 2007 license. www.linino.org

dog hunter LLC
 8 Forest Hill Marketplace, 3rd Floor
 Boston, MA 02109 USA

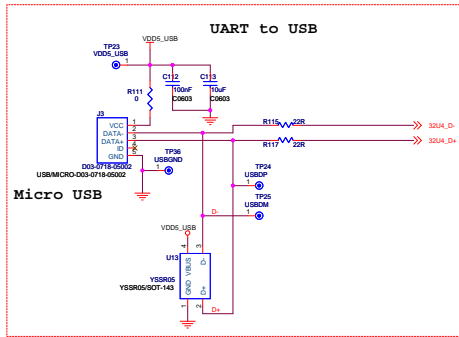
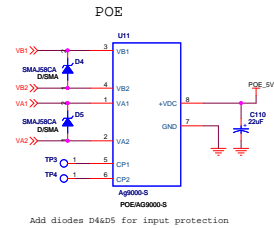
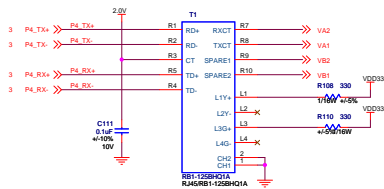
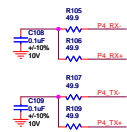
File: 04_ATmega328P/LED		Rev: 010
Doc: Document Number	dogSlick	
Date: Fri, August 30, 2013	Sheet: 4	of: 7



These files are licensed under a Creative Commons Attribution Share-Alike license, which allows for both personal and commercial derivative works, as long as they credit dog hunter LLC and release their designs under the same license. www.doghunter.org
 The Linino software based on OpenWRT is also open-source. The source code is released under the GPL Version 3, 29 June 2007 license. www.linino.org

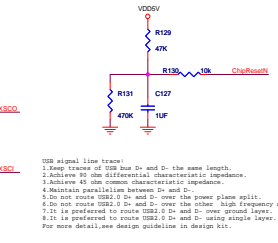
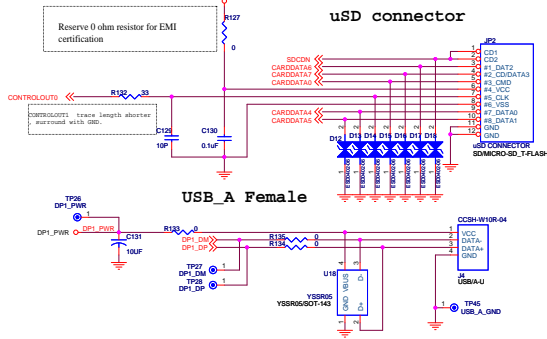
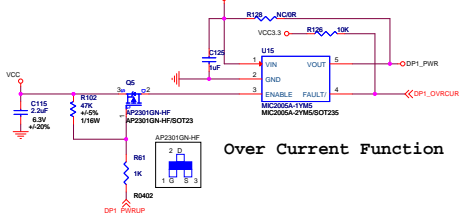
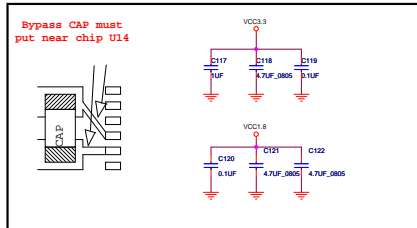
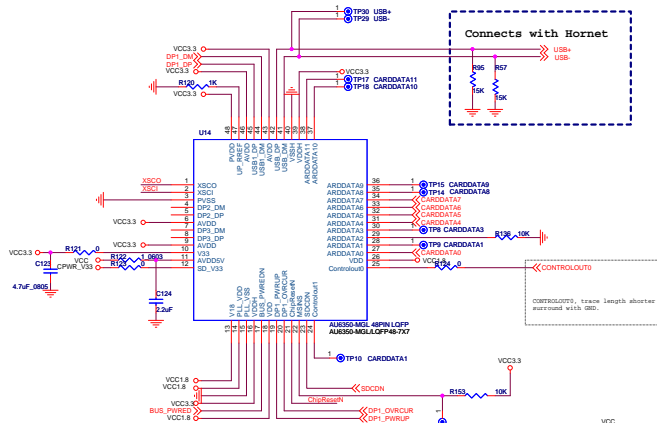
dog hunter LLC
 8 Forest Hill Marketplace, 3rd Floor
 Boston, MA 02109 USA

File	OS_Power	Rev	010
Doc	Document Number	dogSlick	
Date	File, August 30, 2013	Sheet	5 of 7



These files are licensed under a Creative Commons Attribution Share-Alike license, which allows for both personal and commercial derivative works, as long as they credit dog hunter LLC and release their designs under the same license. www.doghunter.org
 The Linino software based on OpenWRT is also open-sorce. The source code is released under the GPL Version 3, 29 June 2007 license. www.linino.org

 dog hunter <small>dog hunter LLC 8 Forest Hill Marketplace, 3rd Floor Boston, MA 02109 USA</small>		File	06_POE/Mini USB Console
		Doc Number	dogStick
Rev	010	Date	Friday, August 30, 2013



- USB signal line trace:
1. Keep traces of D+ and D- the same length.
 2. Achieve 90 ohm differential characteristic impedance.
 3. Achieve 40 ohm common characteristic impedance.
 4. Maintain parallelism between D+ and D-.
 5. Do not route USB2.0 D+ and D- over the power plane split.
 6. Do not route USB2.0 D+ and D- over the other high frequency signals.
 7. It is preferred to route USB2.0 D+ and D- over ground layer.
 8. It is preferred to route USB2.0 D+ and D- using single layer.
- For more details, see design guideline in design kit.

These files are licensed under a Creative Commons Attribution Share-Alike license, which allows for both personal and commercial derivative works, as long as they credit dog hunter LLC and release their designs under the same license. www.doghunter.org
 The Linino software based on OpenWRT is also open-source. The source code is released under the GPL Version 3, 29 June 2007 license. www.linino.org

dog hunter LLC
 8 Forest Hill Marketplace, 3rd Floor
 Boston, MA 02109 USA

File	07_AU6350/SD/USB_A Female	Rev	010
Doc	Document Number	dogStick	
Date	File, August 30, 2013	Sheet	7 of 7