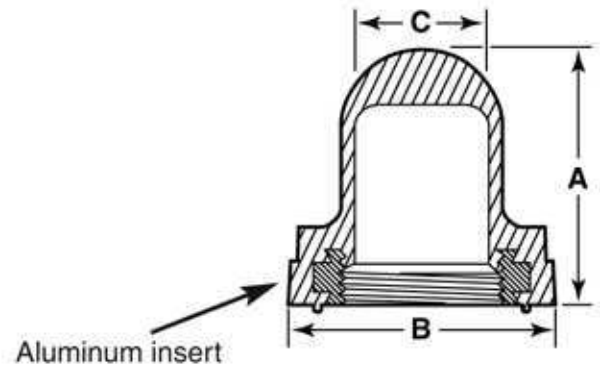


APM HEXSEAL

PRODUCT SELECTION CHART

Switch & Potentiometer Boots : Full Pushbutton Boots - IP66/68 Rated (Fig 9)



Full Pushbutton Boots – IP66/68 Rated

Thread Size	Max. Plunger Height		A		B O.D.		C I.D.		Military Part Number	APM Boot Part Number	Color*	HEXSEAL	E-SEAL
	inch	mm	inch	mm	inch	mm	inch	mm					
$\frac{3}{8}$ -27NS-2B	.330	8.38	.609	15.48	.641	16.27	.320	8.11	—	1221/12	Gray	•	
$\frac{15}{32}$ -32NS-2B	.400	10.14	.719	18.26	.766	19.45	.375	9.53	—	1221/15	Gray	•	
$\frac{3}{8}$ -24NF-2B	.330	8.38	.609	15.48	.641	16.27	.320	8.11	—	C1221/22	Clear		•
$\frac{3}{8}$ -27NS-2B	.330	8.38	.609	15.48	.641	16.27	.320	8.11	—	C1221/21	Black		•
$\frac{3}{8}$ -27NS-2B	.330	8.38	.609	15.48	.641	16.27	.320	8.11	—	C1221/21 4	Clear		•
$\frac{3}{8}$ -32NEF-2B	.330	8.38	.609	15.48	.641	16.27	.320	8.11	—	C1221/23	Clear		•

Mounting nut material: Aluminum

*Other colors available. Please consult factory.

:: [close window](#) ::