

NOTES:

1. MATERIALS AND FINISHES:
 BODY - BRASS (ASTM-B16 HD2, C36000), NICKEL PLATING
 CONTACT PIN - BRASS, GOLD PLATING
 INSULATOR - PTFE PER ASTM D 1710 OR EQUIV.
 FERRULE - COPPER, NICKEL PLATING

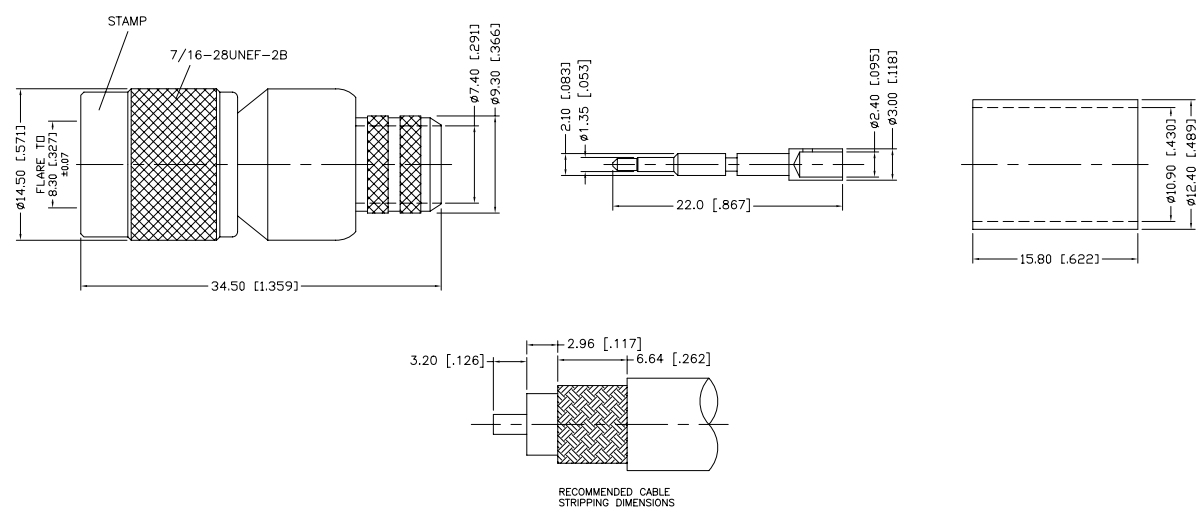
2. ELECTRICAL:
 A. IMPEDANCE: 50 OHM
 B. FREQUENCY RANGE: DC - 11 GHz

3. MECHANICAL:
 A. TEMPERATURE RANGE: -65° C TO +165° C

4. PACKAGING:
 A. QUANTITY: SINGLE PACK
 B. MARKING: BAG TO BE MARKED
 *AMPHENOL, 31-6140, AND DATE CODE

5. CRIMPED FERRULE = HEX CRIMP SIZE .429 IN
 CRIMPED CONTACT PIN = HEX CRIMP SIZE .100 IN

31-6140		REVISIONS			
DRAWING NO.	REV	DESCRIPTION	DATE	EO	APPR
THIRD ANGLE PROJ.	A	RELEASE TO MFG.	8/29/06	46281	CPH/



UNLESS OTHERWISE SPECIFIED, DIMENSIONS ARE IN INCHES AND TOLERANCES ARE: 2 PLACE DECIMAL ±.015 (0,381 mm) 3 PLACE DECIMAL ±.005 (0,127 mm) ANGLES ± 1°	MATERIAL	DRAWN C. McGRATH ENGINEER	DATE 4/12/05	TITLE TNC CRIMP PLUG (FOR BELDEN 8/U, 213U)	Amphenol Amphenol Corporation RF/Microwave Operations Danbury, Conn. U.S.A. 06810		
	REFERENCE	APPROVED D. BARTHELMES DATE 8/25/06		SCALE: 2:1 SHEET OF			
NOTICE - These drawings, specifications, or other data (1) are, and remain the property of Amphenol Corp. (2) must be returned upon request; and (3) are confidential and not to be disclosed to any person other than those to whom they are given by Amphenol Corp. The furnishing of these drawings, specifications, or other data by Amphenol Corp. or to any other person to anyone for any purpose is not to be regarded by implication or otherwise in any manner licensing, granting rights or permitting such holder or any other person to manufacture, use or sell any product, process or design, patented or otherwise, that may in any way be related to or disclosed by said drawings, specifications, or other data.	CAD FILE	H:\DEPT611\TNC\031\ASSY\6140		CODE ID 74868	DWG SIZE B	DRAWING NO. 31-6140	ISSUE A