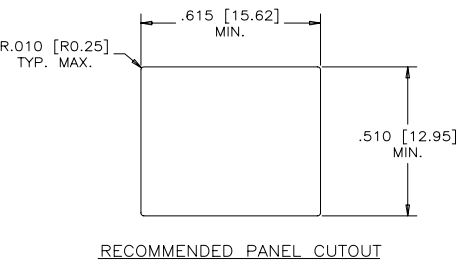
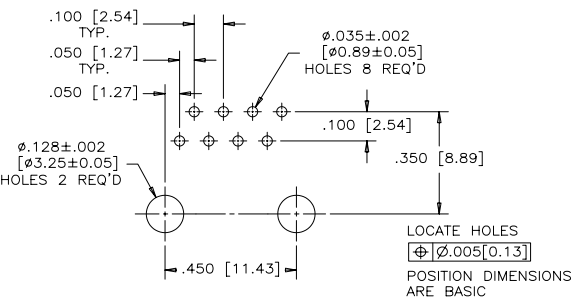
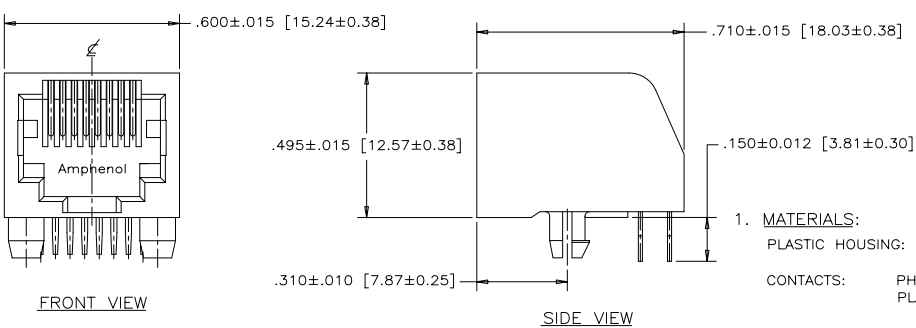


REVISIONS			
SYM	ZONE	ECN, ERN NO.	DATE APPRD.
C		PROPOSAL	05/12/16 L.CHAN



- MATERIALS:**
 PLASTIC HOUSING: ENGINEERING THERMOPLASTIC
 FLAMMABILITY RATING UL 94V-0
 CONTACTS: PHOSPHOR BRONZE
 PLATING: REFER TO PART NUMBER FOR GOLD THICKNESS ON MATING SURFACES.
 50 μ" [1.27 MICRONS]
 MIN. NICKEL UNDERPLATE
 100 μ" [2.54 MICRONS]
 MIN. MATTE TIN ON CONTACT TAILS.
- MECHANICAL:**
 MATING FORCE: 6.0 LBS MAX.
 MATING CYCLES: 150
- ELECTRICAL:**
 CONTACT RESISTANCE: 40 MILLIOHMS MAXIMUM
 INSULATION RESISTANCE: 500 MEGOHMS MINIMUM
 CURRENT RATING: 1.5 AMPS
 VOLTAGE RATING: 150 VOLTS AC
- ENVIRONMENTAL:**
 STORAGE TEMPERATURE: -20°C to 85°C
 PACKAGING METHOD: TRAY PACKAGING
- MAXIMUM SAFE PROCESSING TEMPERATURE FOR CONNECTOR: 205°C
- UL FILE NUMBER:** E136228

AMPHENOL PART NUMBER: RJE03-188-0X10

1 = 06 μ" GOLD
 2 = 15 μ" GOLD
 3 = 30 μ" GOLD
 4 = 50 μ" GOLD

THIS DOCUMENT CONTAINS PROPRIETARY INFORMATION AND SUCH INFORMATION MAY NOT BE DISCLOSED TO OTHERS FOR ANY PURPOSE OR USED FOR MANUFACTURING PURPOSES WITHOUT WRITTEN PERMISSION FROM AMPHENOL CANADA CORP.

MATERIAL	DRAWN PAULW	DATE 05/12/16	Amphenol Canada Corp.			
	DESIGNED					
FINISH	CHECKED CHIGOW	05/12/16	TITLE MODULAR JACK, 8 POSITION, 8 CONTACTS, WITHOUT SHIELD (NO SIDE FLANGES, NO KEY) - RoHS COMPLIANT			
	I. E. APPRD.					
	Q. A. APPRD.					
	DWG. APPRD.					
	ENG. REL. NO.					
	REF.		DWG. C	DRAWING NO. P-RJE03-188-0X10	REV. C	
DIMENSIONS ARE IN INCHES [mm]		CODE ID. NO. 03554	SCALE 4/1	WT. -----	SURF. -----	SHEET 1 of 1

A B C D E F