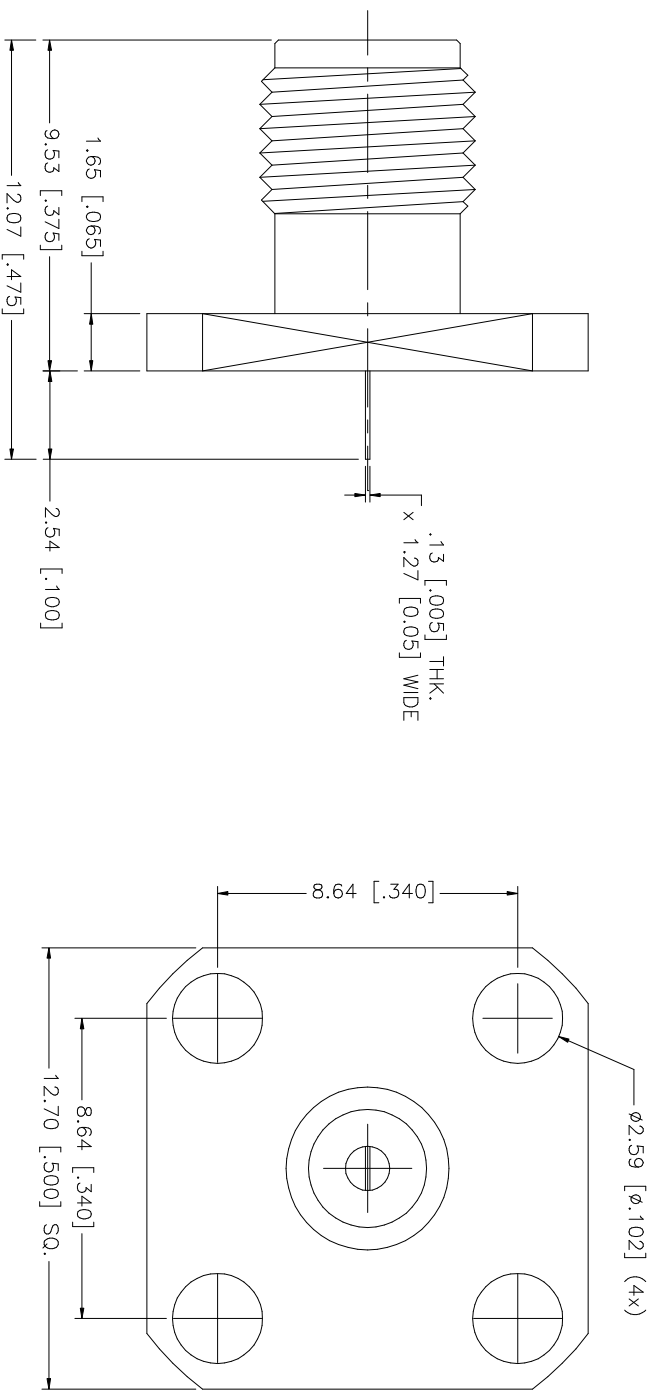


REV.	DATE	DESCRIPTION
NC	04/30/00	INITIAL RELEASE
A	09/29/05	UPDATE DRAWING FORMAT



NO.	DESCRIPTION	MATERIAL	FINISH	QTY	UNLESS OTHERWISE SPECIFIED, DIMENSIONS ARE IN MILLIMETERS. DIMENSIONS IN [] ARE IN INCHES AND FOR CUSTOMER REFERENCE ONLY.	UNLESS OTHERWISE SPECIFIED, TOLERANCES FOR MILLIMETERS ARE:	UNLESS OTHERWISE SPECIFIED, TOLERANCES FOR INCHES ARE:	APPROVALS	DATE	PART DESCRIPTION	PART NO.	DWG. NO.	REV.	SIZE	SCALE	
8										Amphenol Connex SMA FOUR (4) HOLE PANEL RECEPTACLE (.500 SQ. PANEL) 1 32166	1 32166	132166.DWG	A	A	NA	
7								DRAWN	G.R.S.							09/29/05
6						0.5 - 8mm \pm 0.20mm		CHECKED								
5						8 - 30mm \pm 0.40mm		ISSUED								
4						30 - 120mm \pm 0.50mm		SHEET	1 OF 1							
3	CONTACT PIN	BER. COPPER	GOLD	1			.020 - .315 \pm 0.007"									
2	INSULATOR	TEFLON	NATURAL	1			.315 - 1.180 \pm 0.015"									
1	BODY	BRASS	GOLD	1			1.180 - 4.724 \pm 0.020"									
DESCRIPTION								CAD FILE		C:/132/132166.DWG						