



AML31EBA4AC



AML31 Series, Solid State Pushbutton, Rectangular, Standard Bezel, Unlighted, DPST NO Form X, Momentary Action, Snap in panel mount

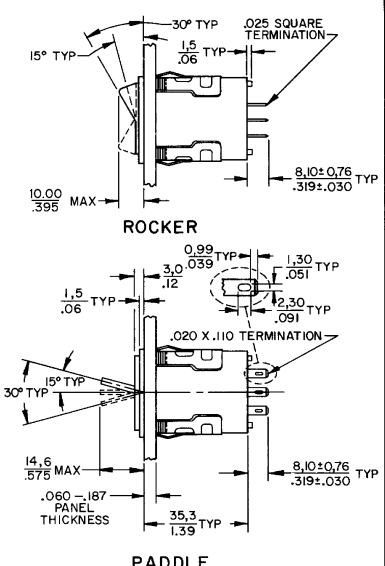
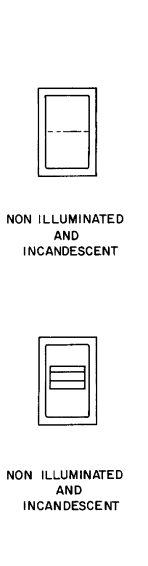
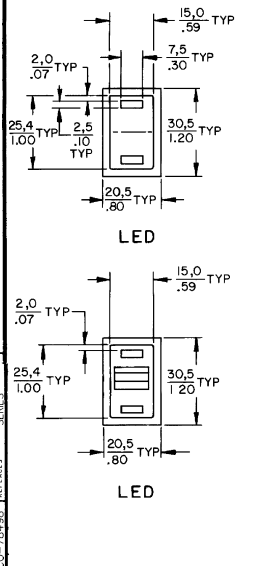
Features

- Snap-in Surface mount
- UL recognized, CSA certified
- Lamp circuit independent of switch circuit
- Metric design for world wide acceptance
- Buttons can be custom legend

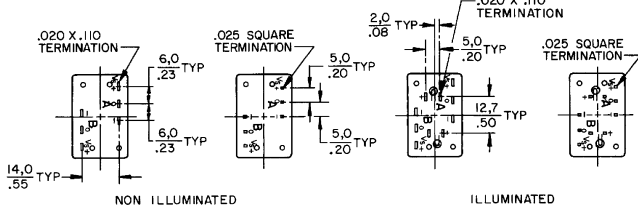
Product Specifications	
Product Type	MICRO SWITCH™ Pushbutton
Housing Type	Rectangular
Circuitry	DPST NO Form X
Action	Momentary Action
Mounting	Snap-in Panel
Lamp Type	Unlighted
Termination	.187 x .020 (Solder or Quick-Connect)
Ampere/Voltage Range (Resistive Load)	0.4-10 A @ 0.5-250 Vac, 0.4-10 A @ 0.5-30 Vdc
LED/Lamp/Neon Voltage	No Lamp Installed
Comment	use AML51 button
Availability	Global
UNSPSC Code	30211913
UNSPSC Commodity	30211913 Push button switches
Series Name	AML31

SOLID STATE SWITCH AML10 SERIES AND ELECTRONIC CONTROL AML 20 SERIES

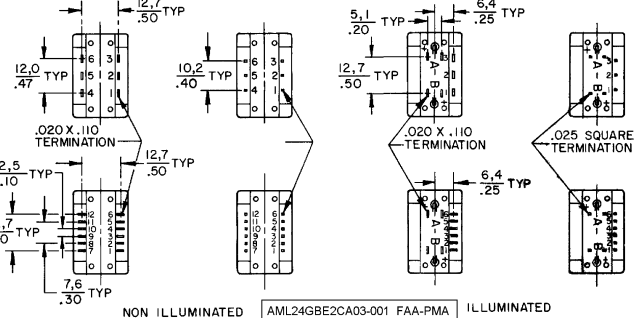
ACTUATORS FOR AML 10 SERIES & AML 20 SERIES



TERMINATION AML 10 SERIES

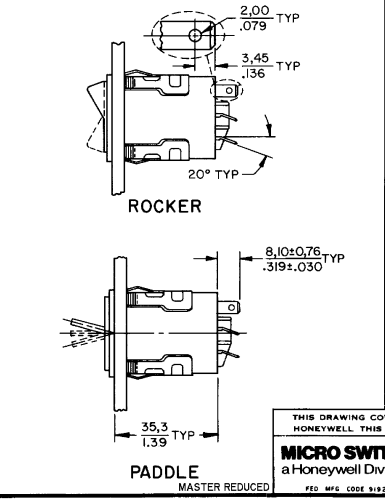
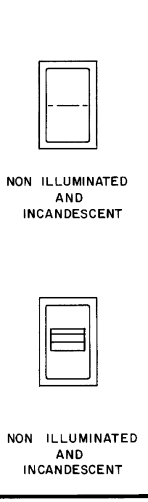
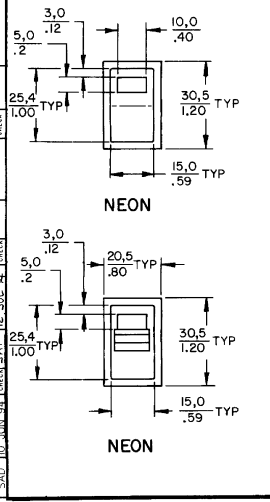


TERMINATION AML 20 SERIES

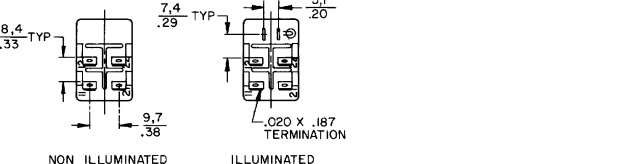


POWER SWITCH AML 30 SERIES

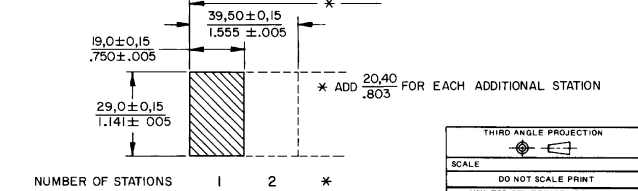
ACTUATORS FOR AML 30 SERIES



TERMINATION AML 30 SERIES



PANEL CUTOUTS FOR AML 10, 20 & 30 SERIES



THIRD ANGLE PROJECTION	
SCALE DO NOT SCALE PRINT	
UNLESS OTHERWISE SPECIFIED TOLERANCES ARE	
ONE PLACE	(.0) ± .030
TWO PLACE	(.00) ± .015
THREE PLACE	(.000) ± .005
ANGLES	±
WEIGHT	

THIS DRAWING COVERS A PROPRIETARY ITEM AND IS THE PROPERTY OF MICRO SWITCH A DIVISION OF HONEYWELL. THIS DRAWING IS NOT TO BE COPIED OR USED WITHOUT THE APPROVAL OF MICRO SWITCH.

MICRO SWITCH
a Honeywell Division

AML PADDLE AND
ROCKER

AML10 20 30
SERIES CHART 1

FED. MFG. CODE 91929

REV 15 (2ND) 12-73
 13
 SAID TO JUN 24 1964
 12 JUL 54
 13
 12 JUL 54
 13
 12 JUL 54
 13