

AsahiKASEI
ASAHI KASEI EMD

= Preliminary =

AK4635

16-Bit Mono CODEC with ALC & MIC/SPK/Video-AMP

GENERAL DESCRIPTION

The AK4635 is a 16-bit mono CODEC with Microphone-Amplifier, Speaker-Amplifier and Video-Amplifier. Input circuits include a Microphone-Amplifier and an ALC (Automatic Level Control) circuit. Output circuits include a Speaker-Amplifier and Mono Line Output. Video circuits include a LPF and Video-Amplifier. The AK4635 suits a moving picture of Digital Still Camera and etc. This speaker-Amplifier supports a Piezo Speaker. The AK4635 is housed in a space-saving 29-pin Wafer Level CSP 2.5mm x 3.0mm package.

FEATURE

1. 16-Bit Delta-Sigma Mono CODEC
2. Recording Function
 - 1ch Mono Input
 - MIC Amplifier: (0dB/+3dB/+6dB/+10dB/ +17dB/+20dB/+23dB/+26dB/+29dB/+32dB)
 - Digital ALC (Automatic Level Control)
(+36dB ~ -54dB, 0.375dB Step, Mute)
 - ADC Performance (MIC-Amp=+20dB)
 - S/(N+D): 84dB
 - DR, S/N: 86dB
 - Wind-noise Reduction Emphasis
 - 5 band notch Filter
3. Playback Function
 - Digital ALC (Automatic Level Control)
(+36dB ~ -54dB, 0.375dB Step, Mute)
 - Mono Line Output: S/(N+D) : 85dB, S/N : 93dB
 - Mono Class-D Speaker-Amp
 - BTL Output
 - Output Power: 400mW @ 8Ω (SVDD=3.3V)
 - S/(N+D): 55dB (150mW@8Ω)
 - Beep Generator
4. Video Function
 - A Composite Video Input
 - Gain Control (-1.0dB ~ +10.5dB, 0.5dB Step)
 - Low Pass Filter
 - A Video-Amp for Composite Video Signal(+6dB)
 - DC Direct Output or Sag Compensation Output
5. Power Management
6. PLL Mode:
 - Frequencies:
 - 12MHz, 13.5MHz, 24MHz, 27MHz (MCKI pin)
 - 1fs (FCK pin)
 - 16fs, 32fs or 64fs (BICK pin)
7. EXT Mode:
 - Frequencies: 256fs, 512fs or 1024fs (MCKI pin)
8. Sampling Rate:
 - PLL Slave Mode (FCK pin): 7.35kHz ~ 48kHz
 - PLL Slave Mode (BICK pin): 7.35kHz ~ 48kHz
 - PLL Slave Mode (MCKI pin):

- 8kHz, 11.025kHz, 12kHz, 16kHz, 22.05kHz, 24kHz, 32kHz, 44.1kHz, 48kHz
- PLL Master Mode:
 - 8kHz, 11.025kHz, 12kHz, 16kHz, 22.05kHz, 24kHz, 32kHz, 44.1kHz, 48kHz
- EXT Slave Mode / EXT Master Mode:
 - 7.35kHz ~ 48kHz (256fs), 7.35kHz ~ 26kHz (512fs), 7.35kHz ~ 13kHz (1024fs)
- 9. Output Master Clock Frequency: 256fs
- 10. Serial μ P Interface: 3-wire, I²C Bus (Ver 1.0, 400kHz High Speed Mode)
- 11. Master / Slave Mode
- 12. Audio Interface Format: MSB First, 2's compliment
 - ADC: DSP Mode, 16bit MSB justified, I²S
 - DAC: DSP Mode, 16bit MSB justified, 16bit LSB justified, I²S
- 13. Ta = - 30 ~ 85°C
- 14. Power Supply
 - Analog Supply (AVDD): 2.8 ~ 3.6V
 - Digital Supply (DVDD): 1.6 ~ 3.6V
 - Speaker Supply (SVDD): 2.2 ~ 4.0V
- 15. Package: 29pin CSP (2.5mm x 3.0mm, 0.5mm pitch)

■ Block Diagram

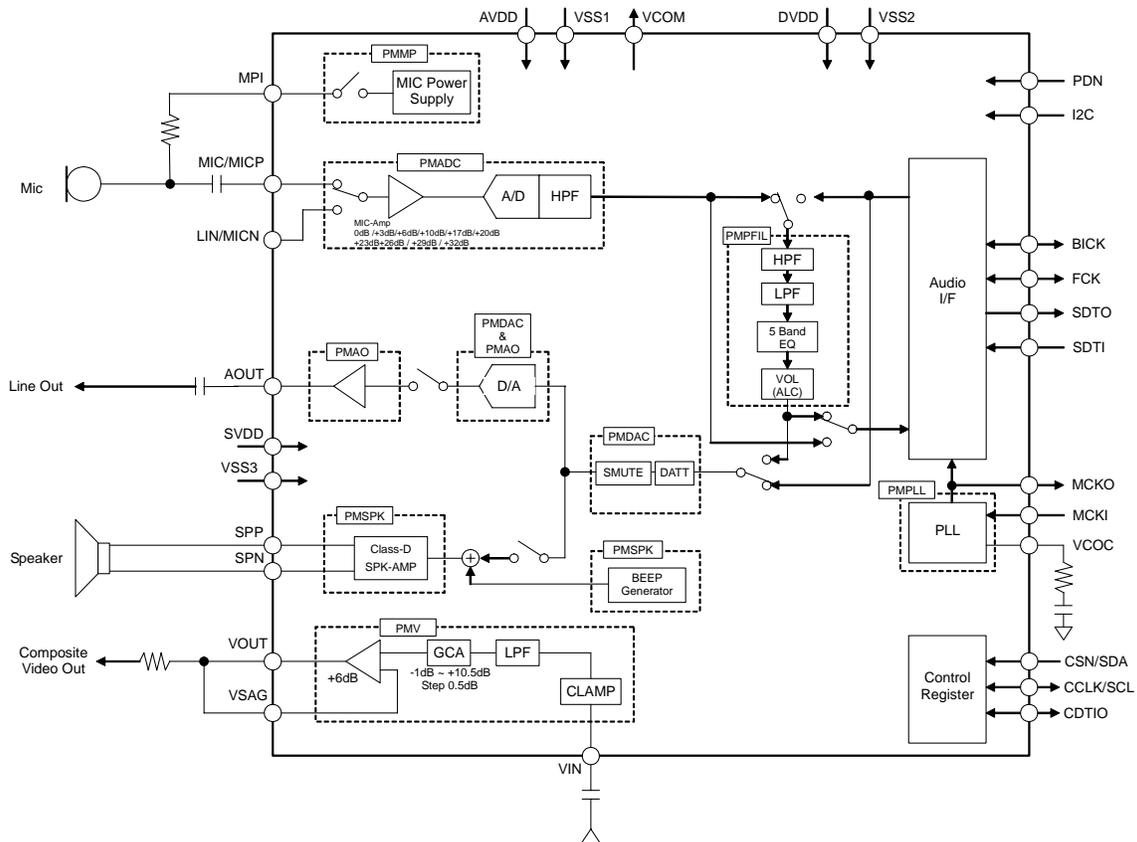


Figure 1. AK4635 Block Diagram

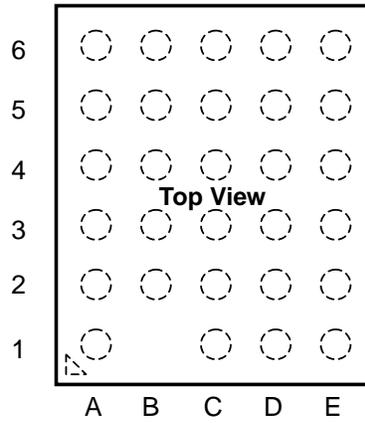
■ Ordering Guide

AK4635ECB
AKD4635

-30 ~ +85°C
Evaluation board for AK4635

29pin CSP (0.5mm pitch)

■ Pin Layout



6	I2C	DVDD	VSS2	VSS3	NC
5	SDTO	MCKO	SPN	SVDD	SPP
4	BICK	SDTI	MCKI	AOUT	LIN/ MICN
3	FCK	CCLK/SCL	CDTIO	MPI	MIC/ MICP
2	PDN	CSN/SDA	VOUT	VCOM	VCOC
1	VSAG		VSS1	AVDD	VIN
	A	B	C	D	E

■ Compatibility with AK4633
1. Function

Function	AK4633	AK4635
MIC-Amp	0dB/+6dB/+10dB/+14dB +17dB/+20dB/+26dB/+32dB	0dB/+3dB/+6dB/+10dB/+17dB/ +20dB/+23dB/+26dB/+29dB/ +32dB
Single End of Analog Input	1ch (MIC pin)	2ch (MIC pin / LIN pin)
LPF	Not Available	Available
Notch Filter (Equalizer)	2 band	5 band
SPK-Amp	Class-AB	Class-D
ALC Recovery Waiting Period	4 steps (128fs ~ 1024fs)	8 steps (128fs ~ 16384fs)
Master Clock Mode PLL Mode Frequency	11.2896MHz, 12MHz, 12.288MHz, 13.5MHz 24MHz, 27MHz	12MHz, 13.5MHz, 24MHz, 27MHz
BEEP Output	Analog Input	Generator circuit Included
Control Interface	3-wire	3-wire, I ² C
Video-Amp	Not Available	Available
Package	24pin QFN: 4.0mm x 4.0mm	29pin WL-CSP : 2.5mm x 3.0mm

PIN/FUNCTION			
No.	Pin Name	I/O	Function
D2	VCOM	O	Common Voltage Output Pin, 0.45 x AVDD Bias voltage of ADC inputs and DAC outputs.
C1	VSS1	-	Ground Pin
D1	AVDD	-	Analog Power Supply Pin
E2	VCOC	O	Output Pin for Loop Filter of PLL Circuit This pin should be connected to VSS1 with one resistor and capacitor in series.
A2	PDN	I	Power-Down Mode Pin “H”: Power up, “L”: Power down reset and initialize the control register. AK4635 should always be reset when powered-up.
A6	I2C	I	Control Mode Select Pin “H”: I ² C Bus, “L”: 3-wire Serial
B2	CSN	I	Chip Select Pin (I2C pin = “L”)
	SDA	I/O	Control Data Input/Output Pin (I2C pin = “H”)
B3	CCLK	I	Control Data Clock Pin (I2C pin = “L”)
	SCL	I	Control Data Clock Pin (I2C pin = “H”)
C3	CDTIO	I/O	Control Data Input/Output Pin (I2C pin = “L”) This pin should be connected to the ground. (I2C pin = “H”)
B4	SDTI	I	Audio Serial Data Input Pin
A5	SDTO	O	Audio Serial Data Output Pin
A3	FCK	I/O	Frame Clock Pin
A4	BICK	I/O	Audio Serial Data Clock Pin
B6	DVDD	-	Digital Power Supply Pin
C6	VSS2	-	Ground Pin
C4	MCKI	I	External Master Clock Input Pin
B5	MCKO	O	Master Clock Output Pin
E5	SPP	O	Speaker Amp Positive Output Pin
C5	SPN	O	Speaker Amp Negative Output Pin
D6	VSS3	-	Ground Pin
D5	SVDD	-	Speaker Amp Power Supply Pin
D4	AOUT	O	Mono Line Output Pin
D3	MPI	O	MIC Power Supply Pin for Microphone
E3	MIC	I	Microphone Input Pin for Single Ended Input (MDIF bit = “0”)
	MICP	I	Microphone Positive Input Pin for Differential Input (MDIF bit = “1”)
E4	LIN	I	Line Input Pin for Single Ended Input (MDIF bit = “0”)
	MICN	I	Microphone Negative Input Pin for Differential Input (MDIF bit = “1”)
E1	VIN	I	Composite Video Signal Input Pin
C2	VOUT	O	Composite Video Signal Driver Pin
A1	VSAG	I	Composite Video Signal Output Feedback Input Pin
E6	NC	-	No Connection No internal bonding. This pin should be connected to the ground.

Note : All input pins except analog input pins (MIC/MICP, LIN/MICN, VIN, VSAG pins) must not be left floating

■ Handling of Unused Pin

The unused I/O pins should be processed appropriately as below.

Classification	Pin Name	Setting
Analog	MIC/MICP, LIN/MICN, MPI, AOUT, SPP, SPN, VCOC, VIN, VOUT, VSAG	These pins should be open
Digital	MCKI, SDTI	These pins should be connected to VSS2
	CDTIO	When I2C pin = "H", These pins should be connected to VSS2.
	MCKO, SDTO	These pins should be open.

ABSOLUTE MAXIMUM RATINGS

(VSS1-3=0V; Note 1)

Parameter	Symbol	min	max	Units	
Power Supplies:	Analog	AVDD	-0.3	4.6	V
	Digital	DVDD	-0.3	4.6	V
	Speaker-Amp	SVDD	-0.3	4.6	V
Input Current, Any Pin Except Supplies	IIN	-	±10	mA	
Analog Input Voltage (Note 3)	VINA	-0.3	AVDD+0.3	V	
Digital Input Voltage (Note 4)	VIND	-0.3	DVDD+0.3	V	
Ambient Temperature (powered applied)	Ta	-40	85	°C	
Storage Temperature	Tstg	-65	150	°C	
Maximum Power Dissipation (Note 2)	Pd	-	400	mW	

Note 1. All voltages with respect to ground. VSS21, VSS2 and VSS3 must be connected to the same analog ground plane.

Note 2. When PCB wiring density is 100%. This power is the AK4635 internal dissipation that does not include power of externally connected speaker.

Note 3. LIN/MICN, MIC/MICP, VIN pins

Note 4. PDN, I2C, CSN/SDA, CCLK/SCL, CDTIO, SDTI, FCK, BICK, MCKI pins

Pull-up resistors at SDA and SCL pins should be connected to (DVDD+0.3)V or less voltage.

WARNING: Operation at or beyond these limits may result in permanent damage to the device.

Normal operation is not guaranteed at these extremes.

RECOMMENDED OPERATING CONDITIONS

(VSS1-3=0V; Note 1)

Parameter	Symbol	Min	typ	max	Units	
Power Supplies (Note 5)	Analog	AVDD	2.8 (Note 6)	3.3	3.6	V
	Digital	DVDD	1.6	3.3	3.6	V
	Speaker-Amp	SVDD	2.2	3.3	4.0	V

Note 1. All voltages with respect to ground.

Note 5. The power up sequence between AVDD, DVDD and SVDD is not critical. It is not permitted to power DVDD off when AVDD or SVDD is powered up. When only AVDD or SVDD is powered OFF, the AK4635 must be reset by bringing the PDN pin "L" after these power supplies are powered ON again. The power supply current of DVDD at power-down mode may be increased. DVDD should not be powered OFF while AVDD or SVDD is powered ON.

Note 6. Video Amp is used (PMV bit = "1"). When Video Amp is not used (PMV bit = "0"), Min. spec of AVDD is 2.2V.

* AKEMD assumes no responsibility for the usage beyond the conditions in this datasheet.

ANALOG CHARACTERISTICS

(Ta=25°C; AVDD=DVDD=SVDD=3.3V; VSS1-3 =0V; fs=8kHz, BICK=64fs; Signal Frequency=1kHz; 16bit Data; Measurement frequency=20Hz ~ 3.4kHz; EXT Slave Mode; unless otherwise specified)

Parameter		min	typ	max	Units
MIC Amplifier: MIC, LIN pins ; MDIF bit = "0"; (Single-ended input)					
Input Resistance		20	30	40	kΩ
Gain	(MGAIN3-0 bits = "0000")	-	0	-	dB
	(MGAIN3-0 bits = "0001")	-	20	-	dB
	(MGAIN3-0 bits = "0010")	-	26	-	dB
	(MGAIN3-0 bits = "0011")	-	32	-	dB
	(MGAIN3-0 bits = "0100")	-	10	-	dB
	(MGAIN3-0 bits = "0101")	-	17	-	dB
	(MGAIN3-0 bits = "0110")	-	23	-	dB
	(MGAIN3-0 bits = "0111")	-	29	-	dB
	(MGAIN3-0 bits = "1000")	-	3	-	dB
(MGAIN3-0 bits = "1001")	-	6	-	dB	
MIC Amplifier: MICP, MICN pins ; MDIF bit = "1"; (Full-differential input)					
Input Voltage (Note 7)	(MGAIN3-0 bits = "0001")	-	-	0.228	Vpp
	(MGAIN3-0 bits = "0010")	-	-	0.114	Vpp
	(MGAIN3-0 bits = "0011")	-	-	0.057	Vpp
	(MGAIN3-0 bits = "0100")	-	-	0.720	Vpp
	(MGAIN3-0 bits = "0101")	-	-	0.322	Vpp
	(MGAIN3-0 bits = "0110")	-	-	0.161	Vpp
	(MGAIN3-0 bits = "0111")	-	-	0.080	Vpp
	(MGAIN3-0 bits = "1001")	-	-	1.14	Vpp
MIC Power Supply: MPI pin					
Output Voltage (Note 8)		TBD	2.64	TBD	V
Load Resistance		2	-	-	kΩ
Load Capacitance		-	-	30	pF
ADC Analog Input Characteristics: MIC/LIN → ADC, MIC Gain=20dB, IVOL=0dB, ALC1bit = "0"					
Resolution		-	-	16	Bits
Input Voltage (MIC Gain = 20dB) (Note 9)		TBD	0.198	TBD	Vpp
S/(N+D) (-1dBFS) (Note 10)		TBD	84	-	dB
D-Range (-60dBFS)		TBD	86	-	dB
S/N		TBD	86	-	dB
DAC Characteristics:					
Resolution				16	Bits
Mono Line Output Characteristics: AOUT pin, DAC → AOUT, RL=10kΩ					
Output Voltage (Note 11)	LOVL bit = "0"	TBD	1.98	TBD	Vpp
	LOVL bit = "1"	TBD	2.50	TBD	Vpp
S/(N+D) (0dBFS) (Note 10)		TBD	85	-	dB
D-Range (-60dBFS)		TBD	93	-	dB
S/N		TBD	93	-	dB
Load Resistance		10	-	-	kΩ
Load Capacitance		-	-	30	pF
Speaker-Amp Characteristics: SDTI → SPP/SPN pins, ALC2 bit = "0", SPKG bit = "0", RL=8Ω + 10μH, BTL, SVDD=3.3V					
Output Power (0dBFS) (Note 12)		-	400	-	mW
S/(N+D)	400mW Output	-	20	-	dB
	150mW Output	-	55	-	dB
Output Noise Level		TBD	-80	-	dBV
Load Resistance		8	-	-	Ω
Load Capacitance		-	-	30	pF

Parameter	Min	Typ	max	Units		
Speaker-Amp Characteristics: SDTI → SPP/SPN pins, ALC2 bit = "0", SPKG bit = "0", C _L = 3μF, R _{series} = 10Ω x 2, BTL, SVDD = 3.8V						
Output Voltage (0dBFS) (Note 12)	-	2.5	-	V _{rms}		
S/(N+D) (Note 13)	-	20	-	dB		
Output Noise Level (Note 13)	-	-68	-	dBV		
Load Impedance (Note 14)	50	-	-	Ω		
Load Capacitance	-	-	3	μF		
V Input Characteristics:						
Maximum Input Voltage (Note 17)	-	1.2	-	V _{pp}		
Pull Down Current	-	1.0	-	μA		
V Output Characteristics:						
Output Gain	VIN = 100kHz (GCA = 0dB) (Note 18)	TBD	6.0	TBD	dB	
Maximum Output Voltage (Note 18)	at DC output	TBD	2.52	-	V _{pp}	
	at Sag Compensation Output 100μF+4.7μF, AVDD ≥ 3.0 V	-	2.4	-	V _{pp}	
	at Sag Compensation Output 47μF+4.7μF, AVDD ≥ 3.1V	-	2.4	-	V _{pp}	
Clamp Voltage	at DC output (Note 18)	-	50	-	mV	
S/N	BW = 100kHz ~ 6MHz (Note 18)	-	66	-	dB	
Secondary Distortion	VIN = 3.58MHz, 1.0V _{pp} (Sin Wave) (Note 18, Note 19)	-	-45	-	dB	
Load Resistance		140	150	-	Ω	
Load Capacitance	C _{L1} (Figure 4)	-	-	30	pF	
	C _{L2} (Figure 5)	-	-	15	pF	
	C _{L3} (Figure 4, Figure 5) (Note 20)	-	-	400	pF	
LPF						
Frequency Response Input=1.26V _{pp} , Sin Wave (0dB at 100kHz)	Response at 6.75MHz	TBD	-0.5	-	dB	
	Response at 27MHz	-	-40	TBD	dB	
Group Delay	GD3MHz – GD6MHz	-	10	100	ns	
GCA Characteristics:						
Step Size	GCA = -1.0dB ~ +10.5dB	TBD	0.5	TBD	dB	
Power Supplies						
Power Up (PDN pin = "H")						
All Circuit Power-up Except Video Amp (Note 21)						
AVDD+DVDD						
	fs = 8kHz	-	9	-	mA	
	fs = 48kHz	-	12	TBD	mA	
SVDD: Speaker-Amp Normal Operation (No Output)						
	SVDD=3.3V	-	1.5	TBD	mA	
Video Amp Power-up : (Note 22) (Note 24)						
	AVDD+DVDD	-	8	TBD	mA	
All Circuit Power-up : (Note 23) (Note 24)						
	AVDD+DVDD	fs = 48kHz	-	19	TBD	mA
Power Down (PDN pin = "L") (Note 25)						
	AVDD+DVDD+SVDD	-	1	TBD	μA	

Note 7. The voltage difference between MICP and MICN pins. AC coupling capacitor should be inserted in series at each input pin. Full-differential mic input is not available at MGAIN3-0 bits = "1000" or "0000". Maximum input voltage of MICP and MICN pins are proportional to AVDD voltage, respectively.

$$V_{in} = |(MICP) - (MICN)| = 0.069 \times AVDD(\max) @ MGAIN3-0 \text{ bits} = "0001",$$

$$0.035 \times AVDD(\max) @ MGAIN3-0 \text{ bits} = "0010", 0.017 \times AVDD(\max) @ MGAIN3-0 \text{ bits} = "0011",$$

$$0.218 \times AVDD(\max) @ MGAIN3-0 \text{ bits} = "0100", 0.097 \times AVDD(\max) @ MGAIN3-0 \text{ bits} = "0101",$$

$$0.048 \times AVDD(\max) @ MGAIN3-0 \text{ bits} = "0110", 0.024 \times AVDD(\max) @ MGAIN3-0 \text{ bits} = "0111",$$

$0.345 \times AVDD(\max) @ MGAIN3-0 \text{ bits} = "1001"$

When the signal larger than above value is input to MICP or MICN pin, ADC does not operate normally.

Note 8. Output voltage is proportional to AVDD voltage. $V_{out} = 0.8 \times AVDD$ (typ)

Note 9. Input voltage is proportional to AVDD voltage. $V_{in} = 0.06 \times AVDD$ (typ)

Note 10. When a PLL reference clock is FCK pin in PLL Slave Mode, S/ (N+D) of MIC \rightarrow ADC is 75dB (typ), S/ (N+D) of DAC \rightarrow AOUT is 75dB (typ).

Note 11. Output voltage is proportional to AVDD voltage. $V_{out} = 0.6 \times AVDD$ (typ) @ LOVL bit = "0".

Note 12. The value after passing LPF (LPF : Passband is 20kHz or less, Stopband Attenuation @ 250kHz is -50dB or less)

Note 13. In case of measuring at between the SPP pin and SPN pin directly.

Note 14. Load impedance is total impedance of series resistance (R_{series}) and piezo speaker impedance at 1kHz in [Figure 48](#). Load capacitance is capacitance of piezo speaker. When piezo speaker is used, 10 Ω or more series resistors should be connected at both SPP and SPN pins, respectively.

Note 15. Maximum input voltage is in proportion to both AVDD and external input resistance (R_{in}). $V_{in} = 0.6 \times AVDD \times R_{in} / 20k\Omega$ (typ).

Note 16. Output voltage is proportional to AVDD voltage. $V_{out} = 0.6 \times AVDD$ (typ).

Note 17. Input Voltage does not depend on AVDD voltage.

Note 18. Measurement point is A of [Figure 2](#) and [Figure 3](#) when Sag Compensation mode and DC Output mode.

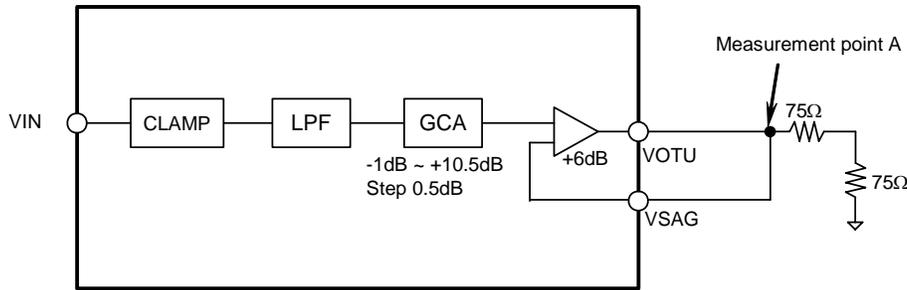


Figure 2 Measurement Point (at DC Output)

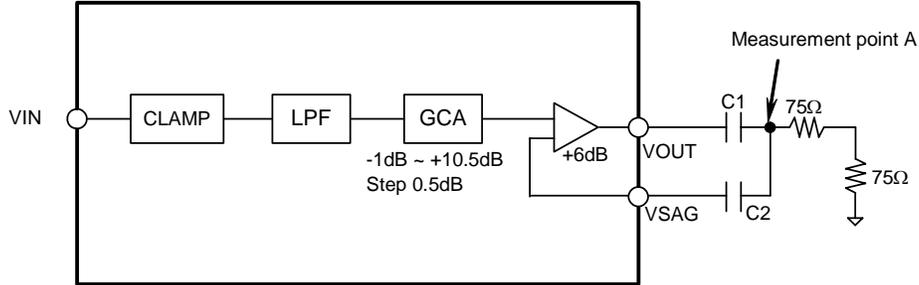


Figure 3. Measurement Point (Using Sag Compensation circuit)

Note 19. In the case of using Sag Compensation Circuit with 47 μ F+ 4.7 μ F and SAGC bit = "1"

Note 20. R1 and C2 compose of Low Pass Filter (LPF) in [Figure 5](#). The cut off frequency of LPF is 10.6MHz at C2=400pF.

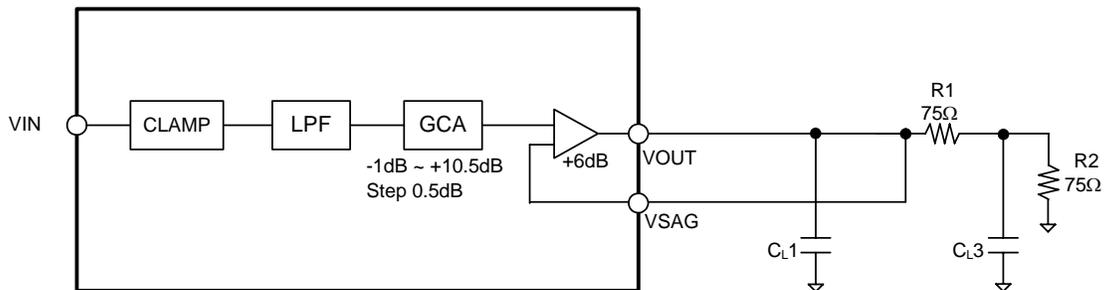


Figure 4. Load Capacitance C_{L1} and C_{L3} (at DC Output)

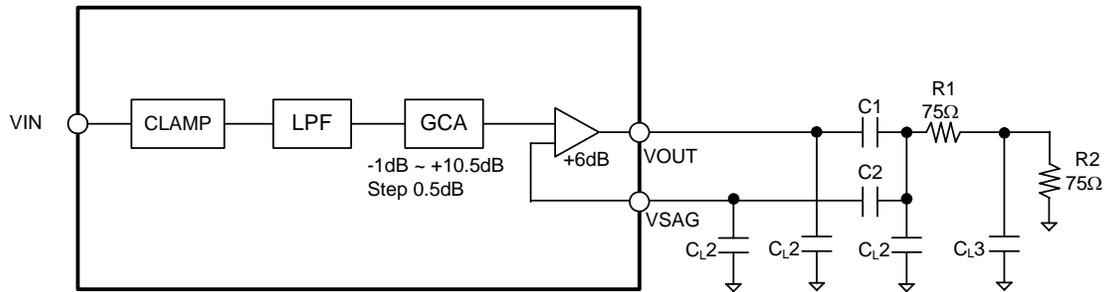


Figure 5. Load Capacitance C_{L2} and C_{L3} (Using Sag Compensation circuit)

- Note 21. PLL Master Mode (MCKI = 12MHz) and PMMP = PMADC = PMDAC = PMPFIL = PMSPK = PMVCM = PMPLL = MCKO = PMAO = M/S = "1" and PMV bit = "0". And output current from the MPI pin is 0mA. When the AK4635 is EXT mode (PMPLL = MCKO = M/S = "0"), "AVDD+DVDD" is typically TBD mA@fs=8kHz, TBDmA@fs=48kHz
- Note 22. PMVCM = PMV bits = "1", PMMP = PMADC = PMDAC = PMPFIL = PMSPK = PMPLL = MCKO = PMAO = M/S = "0". And output current from the MPI pin is 0mA. (When SAGC bit = "0", no resistance and no input signal of the VIN pin)
- Note 23. PLL Master Mode (MCKI = 12MHz) and PMMP = PMADC = PMDAC = PMPFIL = PMSPK = PMVCM = PMPLL = MCKO = PMAO = PMBP = M/S = PMV = "1". And output current from the MPI pin is 0mA. (This is the case of when SAGC bit = "0" and no load resistance and capacitance and no input signal of the VIN pin)
- Note 24. When SAGC bit = "1" and Black signal is output, this current is typ.TBD mA. In the case of DC Output, this current increases by DC voltage /150 Ω. DC Output Voltage is 0V at PMV bit = "0", and then DC current does not flow. When any signal is not input at using Sag Compensation Circuit, PMV bit should be set "0".
- Note 25. All digital inputs pins are fixed to DVDD or VSS2.

FILTER CHARACTERISTICS						
(Ta = -30 ~ 85°C; AVDD = 2.8 ~ 3.6V; DVDD = 1.6 ~ 3.6V, SVDD = 2.2 ~ 4.0V; fs=8kHz)						
Parameter	Symbol	min	typ	max	Units	
ADC Digital Filter (Decimation LPF):						
Passband (Note 26)	±0.16dB	PB	0	-	3.0	kHz
	-0.66dB		-	3.5	-	kHz
	-1.1dB		-	3.6	-	kHz
	-6.9dB		-	4.0	-	kHz
Stopband (Note 26)	SB	4.7	-	-	-	kHz
Passband Ripple	PR	-	-	±0.1	-	dB
Stopband Attenuation	SA	73	-	-	-	dB
Group Delay (Note 27)	GD	-	16	-	-	1/fs
Group Delay Distortion	ΔGD	-	0	-	-	μs
DAC Digital Filter (Decimation LPF):						
Passband (Note 26)	±0.16dB	PB	0	-	3.0	dB
	-0.54dB		-	3.5	-	
	-1.0dB		-	3.6	-	
	-6.7dB		-	4.0	-	
Stopband (Note 26)	SB	4.7	-	-	-	kHz
Passband Ripple	PR	-	-	±0.1	-	dB
Stopband Attenuation	SA	73	-	-	-	dB
Group Delay (Note 27)	GD	-	16	-	-	1/fs
Group Delay Distortion	ΔGD	-	0	-	-	μs
DAC Digital Filter + Analog Filter:						
Frequency Response: 0 ~ 3.4kHz	FR	-	±1.0	-	-	dB

Note 26. The passband and stopband frequencies are proportional to fs (system sampling rate).

For example, ADC of PB = 3.6kHz is 0.45*fs (@ -1.0dB). A reference of frequency response is 1kHz.

Note 27. The calculated delay time caused by digital filtering. This time is from the input of analog signal to setting of the 16-bit data of a channel from the input register to the output register of the ADC. For the DAC, this time is from setting the 16-bit data of a channel from the input register to the output of analog signal. When there is not a phase change with the IIR filter, the group delay of the programmable filter (primary HPF + primary LPF + 5-band Equalizer + ALC) increases for 2/fs than a value of an above mention.

DC CHARACTERISTICS						
(Ta = -30 ~ 85°C; AVDD = 2.8 ~ 3.6V, DVDD = 1.6 ~ 3.6V, SVDD = 2.2 ~ 4.0V)						
Parameter	Symbol	min	typ	max	Units	
High-Level Input Voltage	(DVDD ≥ 2.2V)	VIH	70%DVDD	-	-	V
	(DVDD < 2.2V)		80%DVDD	-	-	V
Low-Level Input Voltage	(DVDD ≥ 2.2V)	VIL	-	-	30%DVDD	V
	(DVDD < 2.2V)		-	-	20%DVDD	V
High-Level Output Voltage	(Iout = -80μA)	VOH	DVDD-0.2	-	-	V
Low-Level Output Voltage	(Except SDA pin: Iout = 80μA)	VOL1	-	-	0.2	V
	(SDA pin, 2.0V ≤ DVDD ≤ 3.6V: Iout = 3mA)	VOL2	-	-	0.4	V
	(SDA pin, 1.6V ≤ DVDD < 2.0V: Iout = 3mA)	VOL2	-	-	20%DVDD	V
Input Leakage Current	Iin	-	-	±10	-	μA

SWITING CHARACTERISTICS

(Ta = -30 ~ 85°C; AVDD = 2.8 ~ 3.6V, DVDD = 1.6 ~ 3.6V, SVDD = 2.2 ~ 4.0V; CL = 20pF)

Parameter	Symbol	min	typ	max	Units
PLL Master Mode (PLL Reference Clock = MCKI pin) (Figure 6)					
MCKI Input: Frequency	fCLK	11.2896	-	27.0	MHz
Pulse Width Low	tCLKL	0.4/fCLK	-	-	ns
Pulse Width High	tCLKH	0.4/fCLK	-	-	ns
MCKO Output:					
Frequency	fMCK	-	256 x fFCK	-	kHz
Duty Cycle except fs=29.4kHz, 32kHz	dMCK	40	50	60	%
fs =29.4kHz, 32kHz (Note 28)	dMCK	-	33	-	%
FCK Output: Frequency	fFCK	8	-	48	kHz
Pulse width High (DIF1-0 bits = "00" and FCKO bit = "1")	tFCKH	-	tBCK	-	ns
Duty Cycle (DIF1-0 bits = "00" or FCKO bit = "0")	dFCK	-	50	-	%
BICK: Period (BCKO1-0 = "00")	tBCK	-	1/16fFCK	-	ns
(BCKO1-0 = "01")	tBCK	-	1/32fFCK	-	ns
(BCKO1-0 = "10")	tBCK	-	1/64fFCK	-	ns
Duty Cycle	dBCK	-	50	-	%
Audio Interface Timing					
DSP Mode: (Figure 7, Figure 8)					
FCK "↑" to BICK "↑" (Note 29)	tDBF	0.5 x tBCK -40	0.5 x tBCK	0.5 x tBCK + 40	ns
FCK "↑" to BICK "↓" (Note 30)	tDBF	0.5 x tBCK -40	0.5 x tBCK	0.5 x tBCK + 40	ns
BICK "↑" to SDTO (BCKP = "0")	tBSD	-70	-	70	ns
BICK "↓" to SDTO (BCKP = "1")	tBSD	-70	-	70	ns
SDTI Hold Time	tSDH	50	-	-	ns
SDTI Setup Time	tSDS	50	-	-	ns
Except DSP Mode: (Figure 9)					
BICK "↓" to FCK Edge	tBFCK	-40	-	40	ns
FCK to SDTO (MSB) (Except I ² S mode)	tFSD	-70	-	70	ns
BICK "↓" to SDTO	tBSD	-70	-	70	ns
SDTI Hold Time	tSDH	50	-	-	ns
SDTI Setup Time	tSDS	50	-	-	ns

Parameter	Symbol	min	typ	max	Units
PLL Slave Mode (PLL Reference Clock: FCK pin) (Figure 10, Figure 11)					
FCK: Frequency	fFCK	7.35	8	48	kHz
DSP Mode: Pulse Width High	tFCKH	tBCK-60	-	1/fFCK-tBCK	ns
Except DSP Mode: Duty Cycle	duty	45	-	55	%
BICK: Period	tBCK	1/64fFCK	-	1/16fFCK	ns
Pulse Width Low	tBCKL	0.4 x tBCK	-	-	ns
Pulse Width High	tBCKH	0.4 x tBCK	-	-	ns
PLL Slave Mode (PLL Reference Clock: BICK pin) (Figure 10, Figure 11)					
FCK: Frequency	fFCK	7.35	8	48	kHz
DSP Mode: Pulse width High	tFCKH	tBCK-60	-	1/fFCK-tBCK	ns
Except DSP Mode: Duty Cycle	duty	45	-	55	%
BICK: Period (PLL3-0 bit = "0001")	tBCK	-	1/16fFCK	-	ns
(PLL3-0 bit = "0010")	tBCK	-	1/32fFCK	-	ns
(PLL3-0 bit = "0011")	tBCK	-	1/64fFCK	-	ns
Pulse Width Low	tBCKL	0.4 x tBCK	-	-	ns
Pulse Width High	tBCKH	0.4 x tBCK	-	-	ns
PLL Slave Mode (PLL Reference Clock: MCKI pin) (Figure 12)					
MCKI Input: Frequency	fCLK	11.2896	-	27.0	MHz
Pulse Width Low	fCLKL	0.4/fCLK	-	-	ns
Pulse Width High	fCLKH	0.4/fCLK	-	-	ns
MCKO Output:					
Frequency	fMCK	-	256 x fFCK	-	kHz
Duty Cycle except fs=29.4kHz, 32kHz	dMCK	40	50	60	%
fs=29.4kHz, 32kHz (Note 28)	dMCK	-	33	-	%
FCK: Frequency	fFCK	8	-	48	kHz
DSP Mode: Pulse width High	tFCKH	tBCK-60	-	1/fFCK-tBCK	ns
Except DSP Mode: Duty Cycle	duty	45	-	55	%
BICK: Period	tBCK	1/64fFCK	-	1/16fFCK	ns
Pulse Width Low	tBCKL	0.4 x tBCK	-	-	ns
Pulse Width High	tBCKH	0.4 x tBCK	-	-	ns
Audio Interface Timing					
DSP Mode: (Figure 13, Figure 14)					
FCK "↑" to BICK "↑" (Note 29)	tFCKB	0.4 x tBCK	-	-	ns
FCK "↑" to BICK "↓" (Note 30)	tFCKB	0.4 x tBCK	-	-	ns
BICK "↑" to FCK "↑" (Note 29)	tBFCK	0.4 x tBCK	-	-	ns
BICK "↓" to FCK "↑" (Note 30)	tBFCK	0.4 x tBCK	-	-	ns
BICK "↑" to SDTO (BCKP bit= "0")	tBSD	-	-	80	ns
BICK "↓" to SDTO (BCKP bit= "1")	tBSD	-	-	80	ns
SDTI Hold Time	tSDH	50	-	-	ns
SDTI Setup Time	tSDS	50	-	-	ns
Except DSP Mode: (Figure 16)					
FCK Edge to BICK "↑" (Note 31)	tFCKB	50	-	-	ns
BICK "↑" to FCK Edge (Note 31)	tBFCK	50	-	-	ns
FCK to SDTO (MSB) (Except I ² S mode)	tFSD	-	-	80	ns
BICK "↓" to SDTO	tBSD	-	-	80	ns
SDTI Hold Time	tSDH	50	-	-	ns
SDTI Setup Time	tSDS	50	-	-	ns

Parameter	Symbol	min	typ	max	Units
EXT Slave Mode (Figure 15)					
MCKI Frequency: 256fs	fCLK	1.8816	2.048	12.288	MHz
512fs	fCLK	3.7632	4.096	13.312	MHz
1024fs	fCLK	7.5264	8.192	13.312	MHz
Pulse Width Low	tCLKL	0.4/fCLK	-	-	ns
Pulse Width High	tCLKH	0.4/fCLK	-	-	ns
FCK Frequency (MCKI = 256fs)	fFCK	7.35	8	48	kHz
(MCKI = 512fs)	fFCK	7.35	8	26	kHz
(MCKI = 1024fs)	fFCK	7.35	8	13	%
Duty Cycle	duty	45	-	55	%
BICK Period	tBCK	312.5	-	-	ns
BICK Pulse Width Low	tBCKL	130	-	-	ns
Pulse Width High	tBCKH	130	-	-	ns
Audio Interface Timing (Figure 16)					
FCK Edge to BICK “↑” (Note 31)	tFCKB	50	-	-	ns
BICK “↑” to FCK Edge (Note 31)	tBFCK	50	-	-	ns
FCK to SDTO (MSB) (Except I ² S mode)	tFSD	-	-	80	ns
BICK “↓” to SDTO	tBSD	-	-	80	ns
SDTI Hold Time	tSDH	50	-	-	ns
SDTI Setup Time	tSDS	50	-	-	ns

Parameter	Symbol	min	typ	max	Units
EXT Master Mode (Figure 6)					
MCKI Frequency: 256fs	fCLK	1.8816	2.048	12.288	MHz
512fs	fCLK	3.7632	4.096	13.312	MHz
1024fs	fCLK	7.5264	8.192	13.312	MHz
Pulse Width Low	tCLKL	0.4/fCLK	-	-	ns
Pulse Width High	tCLKH	0.4/fCLK	-	-	ns
FCK Frequency (MCKI = 256fs)	fFCK	7.35	8	48	kHz
(MCKI = 512fs)	fFCK	7.35	8	26	kHz
(MCKI = 1024fs)	fFCK	7.35	8	13	kHz
Duty Cycle	dFCK	-	50	-	%
BICK: Period (BCKO1-0 bit = "00")	tBCK	-	1/16fFCK	-	ns
(BCKO1-0 bit = "01")	tBCK	-	1/32fFCK	-	ns
(BCKO1-0 bit = "10")	tBCK	-	1/64fFCK	-	ns
Duty Cycle	dBCK	-	50	-	%
Audio Interface Timing					
DSP Mode: (Figure 7, Figure 8)					
FCK "↑" to BICK "↑" (Note 29)	tDBF	0.5 x tBCK-40	0.5 x tBCK	0.5 x tBCK + 40	ns
FCK "↑" to BICK "↓" (Note 30)	tDBF	0.5 x tBCK-40	0.5 x tBCK	0.5 x tBCK +40	ns
BICK "↑" to SDTO (BCKP bit = "0")	tBSD	-70	-	70	ns
BICK "↓" to SDTO (BCKP bit = "1")	tBSD	-70	-	70	ns
SDTI Hold Time	tSDH	50	-	-	ns
SDTI Setup Time	tSDS	50	-	-	ns
Except DSP Mode: (Figure 9)					
BICK "↓" to FCK Edge	tBFCK	-40	-	40	ns
FCK to SDTO (MSB) (Except I ² S mode)	tFSD	-70	-	70	ns
BICK "↓" to SDTO	tBSD	-70	-	70	ns
SDTI Hold Time	tSDH	50	-	-	ns
SDTI Setup Time	tSDS	50	-	-	ns

Note 28. Duty Cycle = (the width of "L")/(the period of clock)*100

Note 29. MSBS, BCKP bits = "00" or "11"

Note 30. MSBS, BCKP bits = "01" or "10"

Note 31. BICK rising edge must not occur at the same time as FCK edge.

Parameter	Symbol	min	typ	max	Units
Control Interface Timing (3-wire Serial mode)					
CCLK Period	tCCK	200	-	-	ns
CCLK Pulse Width Low	tCCKL	80	-	-	ns
Pulse Width High	tCCKH	80	-	-	ns
CDTI Setup Time	tCDS	40	-	-	ns
CDTI Hold Time	tCDH	40	-	-	ns
CSN "H" Time	tCSW	150	-	-	ns
CSN "↓" to CCLK "↑"	tCSS	50	-	-	ns
CCLK "↑" to CSN "↑"	tCSH	50	-	-	ns
CCLK "↓" to CDTI (at Read Command)	tDCD	-	-	70	ns
CSN "↑" to CDTI (Hi-Z) (at Read Command)	tCCZ	-	-	70	ns
Control Interface Timing (I²C Bus mode):					
SCL Clock Frequency	fSCL	-	-	400	kHz
Bus Free Time Between Transmissions	tBUF	1.3	-	-	μs
Start Condition Hold Time (prior to first clock pulse)	tHD:STA	0.6	-	-	μs
Clock Low Time	tLOW	1.3	-	-	μs
Clock High Time	tHIGH	0.6	-	-	μs
Setup Time for Repeated Start Condition	tSU:STA	0.6	-	-	μs
SDA Hold Time from SCL Falling (Note 33)	tHD:DAT	0	-	-	μs
SDA Setup Time from SCL Rising	tSU:DAT	0.1	-	-	μs
Rise Time of Both SDA and SCL Lines	tR	-	-	0.3	μs
Fall Time of Both SDA and SCL Lines	tF	-	-	0.3	μs
Setup Time for Stop Condition	tSU:STO	0.6	-	-	μs
Capacitive Load on Bus	C _b	-	-	400	pF
Pulse Width of Spike Noise Suppressed by Input Filter	tSP	0	-	50	ns
Reset Timing					
PDN Pulse Width (Note 32, Note 33, Note 34)	tPD	150	-	-	ns
PMADC "↑" to SDTO valid (Note 35)					
ADRST bit = "0"	tPDV	-	1059	-	1/fs
ADRST bit = "1"	tPDV	-	291	-	1/fs

Note 32. I²C is a registered trademark of Philips Semiconductors.

Note 33. R_L = 1kΩ/10% change (Pull-up to DVDD)

Note 34. The AK4635 can be reset by the PDN pin = "L"

Note 35. This is the count of FCK "↑" from the PMADC = "1".

■ Timing Diagram

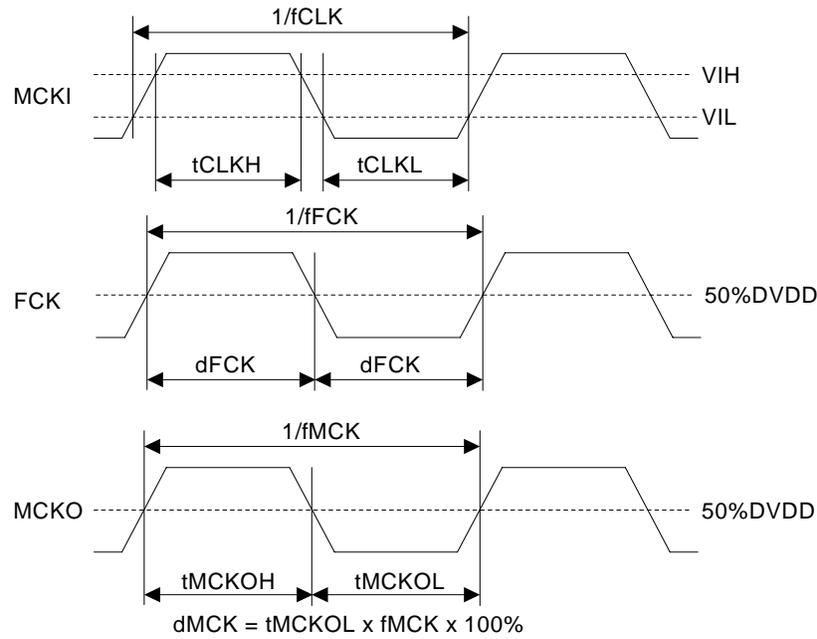


Figure 6. Clock Timing (PLL/EXT Master mode) (MCKO is not available at EXT Master Mode)

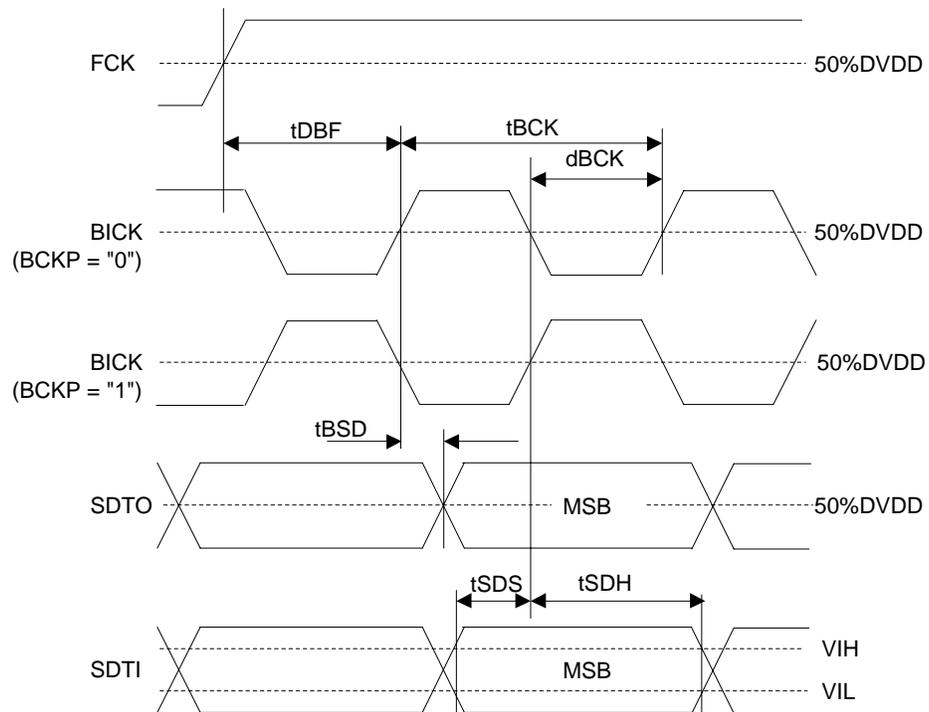


Figure 7. Audio Interface Timing (PLL/EXT Master mode & DSP mode: MSBS = "0")

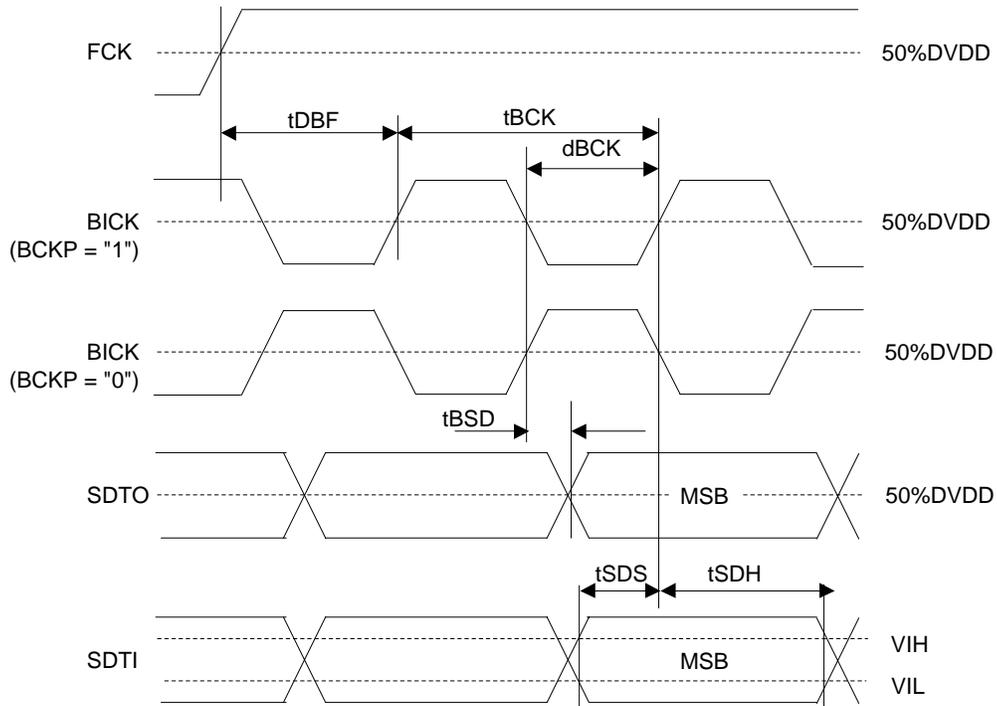


Figure 8. Audio Interface Timing (PLL/EXT Master mode & DSP mode: MSBS = "1")

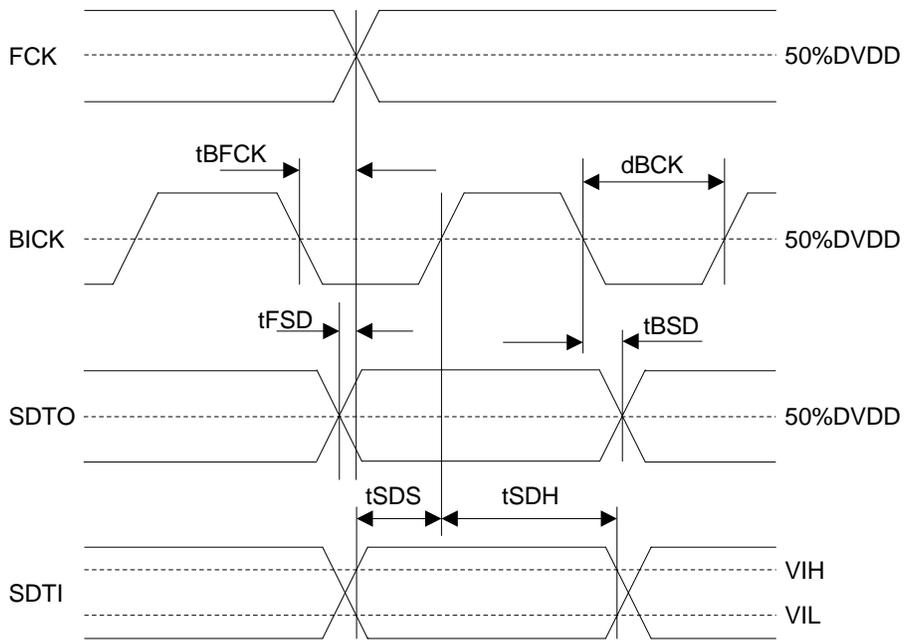


Figure 9. Audio Interface Timing (PLL/EXT Master mode & Except DSP mode)

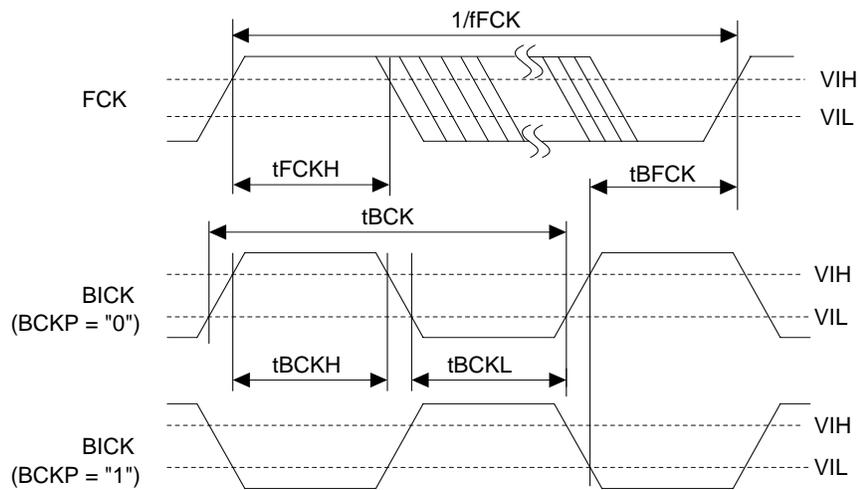


Figure 10. Clock Timing (PLL Slave mode; PLL Reference clock = FCK or BICK pin & DSP mode; MSBS = 0)

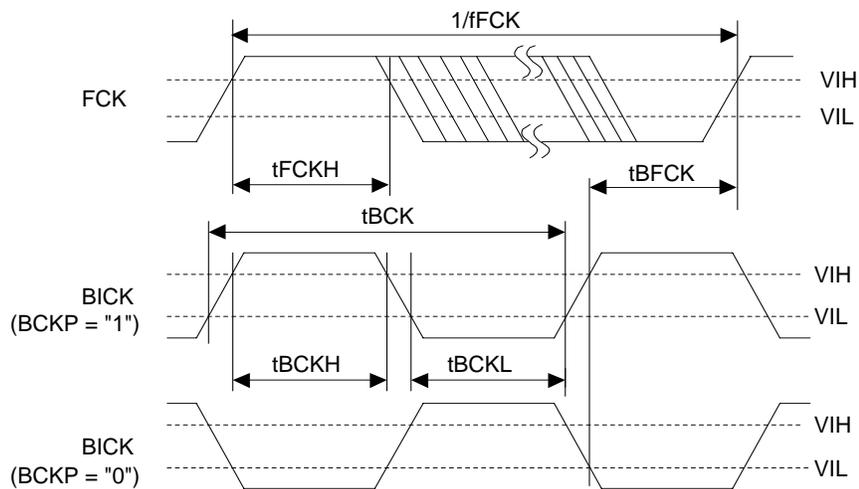


Figure 11. Clock Timing (PLL Slave mode; PLL Reference Clock = FCK or BICK pin & DSP mode; MSBS = 1)

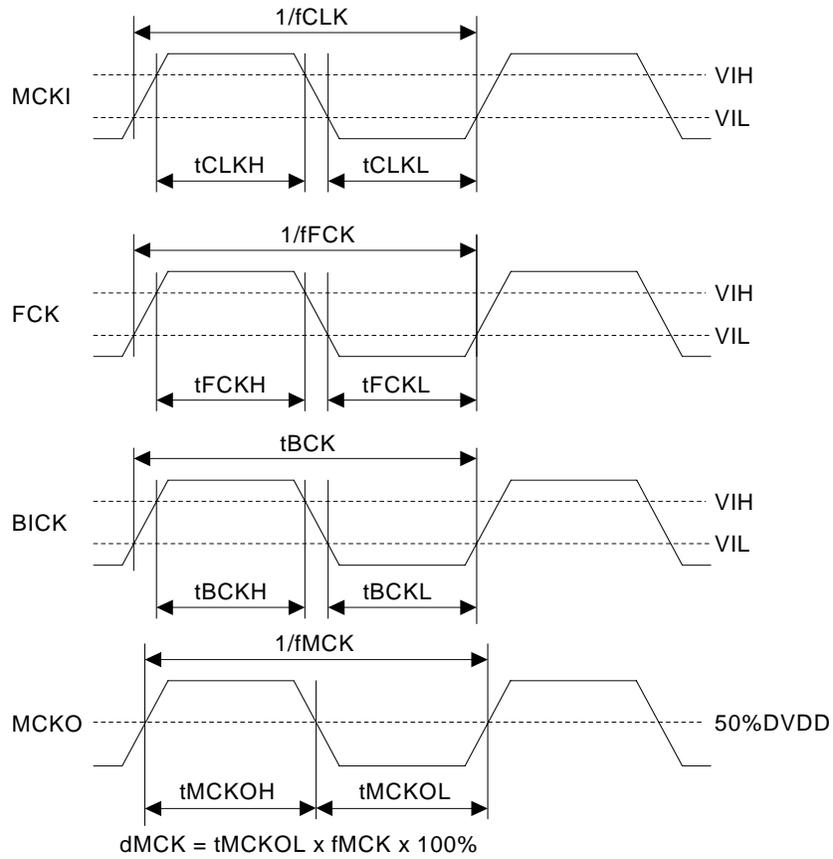


Figure 12. Clock Timing (PLL Slave mode; PLL Reference Clock = MCKI pin & Except DSP mode)

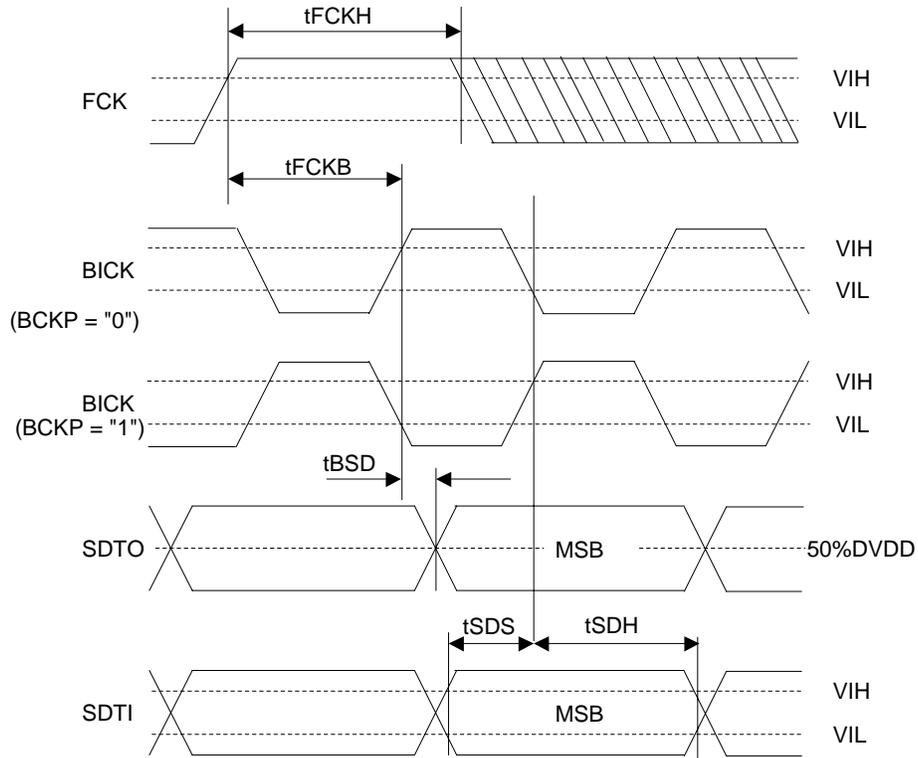


Figure 13. Audio Interface Timing (PLL Slave mode & DSP mode; MSBS = 0)

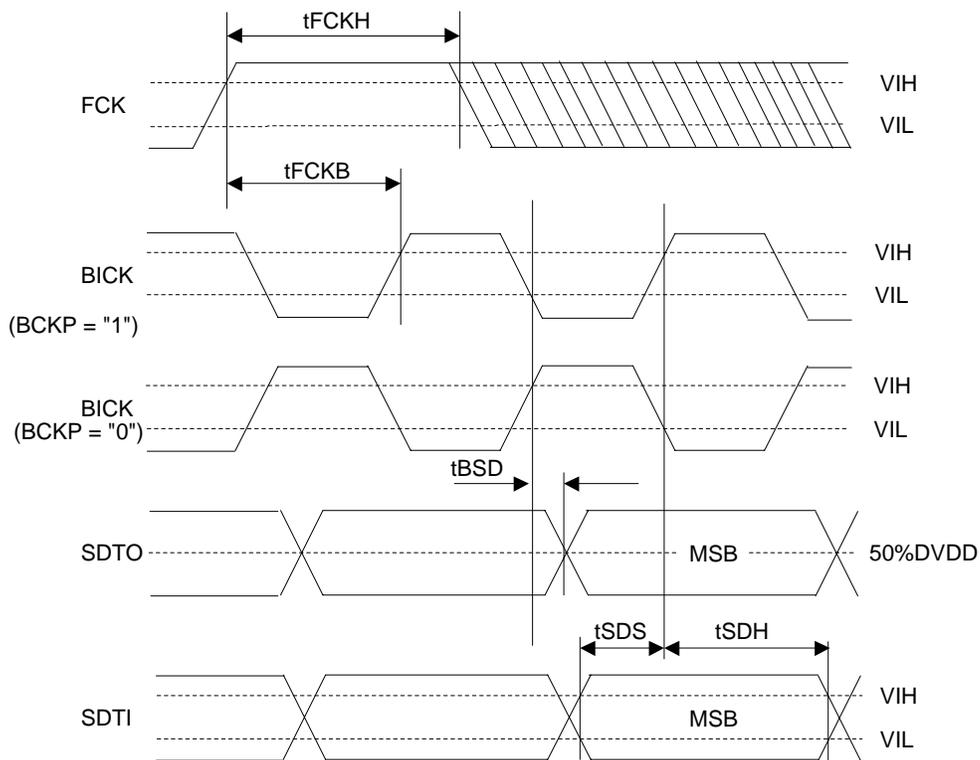


Figure 14. Audio Interface Timing (PLL Slave mode, DSP mode; MSBS = 1)

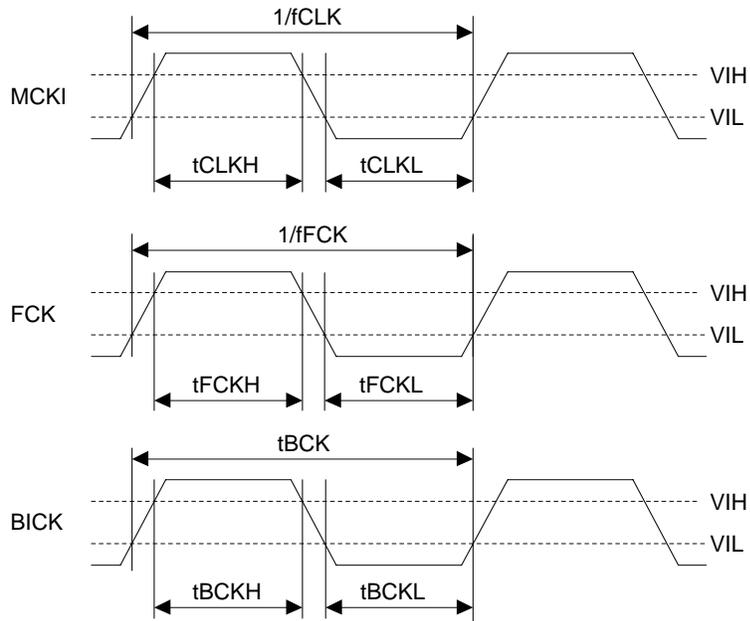


Figure 15. Clock Timing (EXT Slave mode)

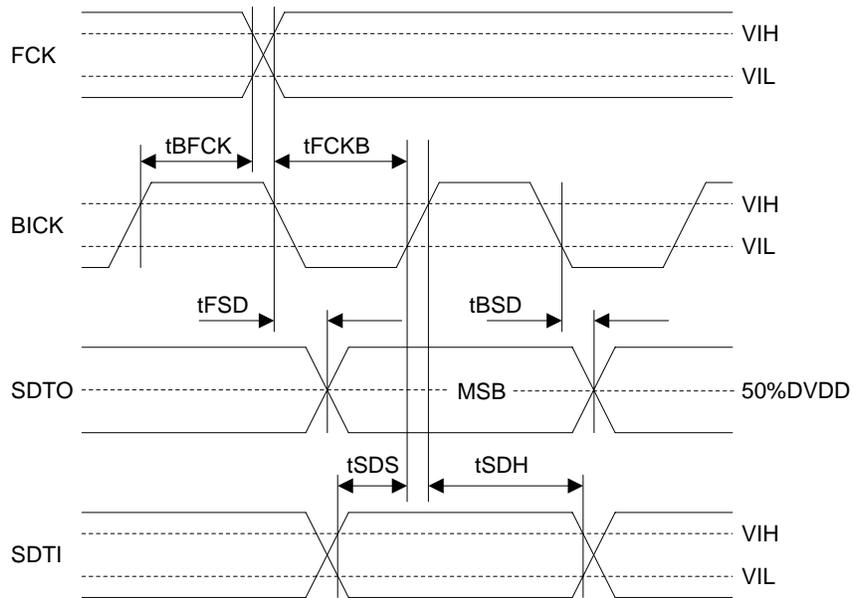


Figure 16. Audio Interface Timing (PLL, EXT Slave mode & Except DSP mode)

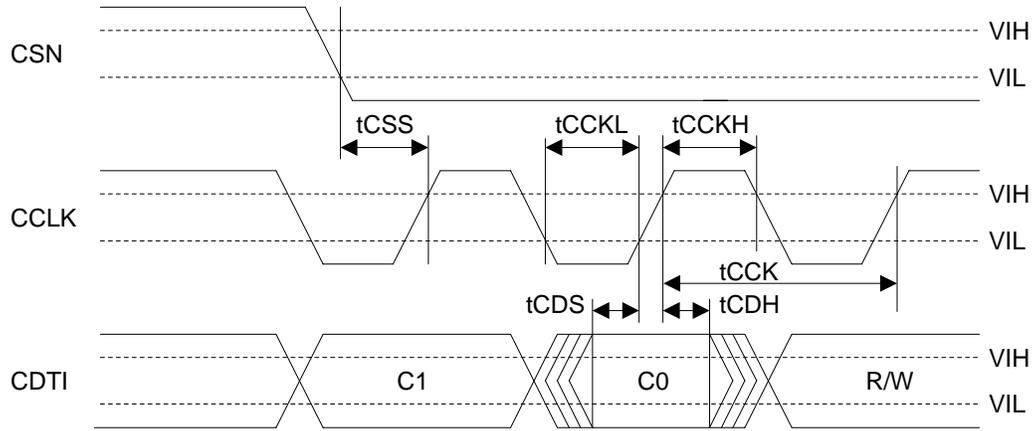


Figure 17. WRITE Command Input Timing

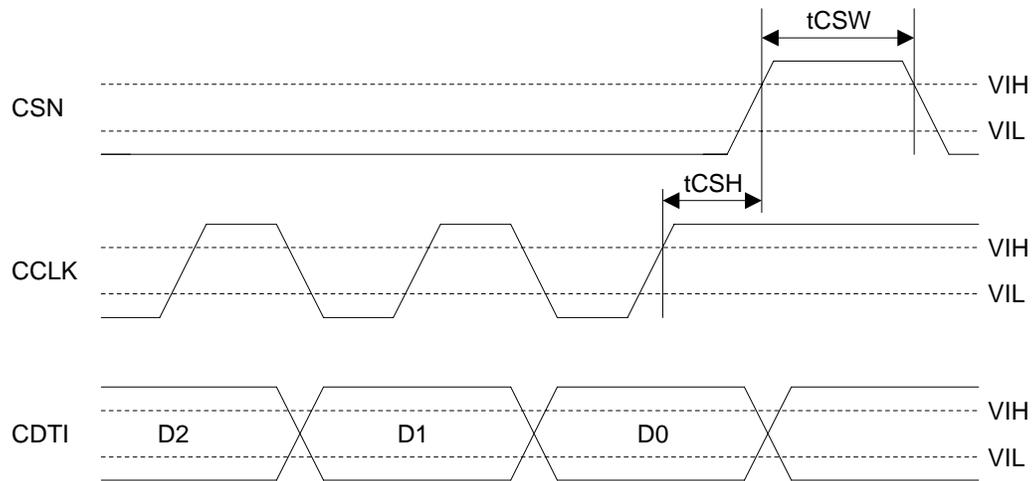


Figure 18. WRITE Data Input Timing

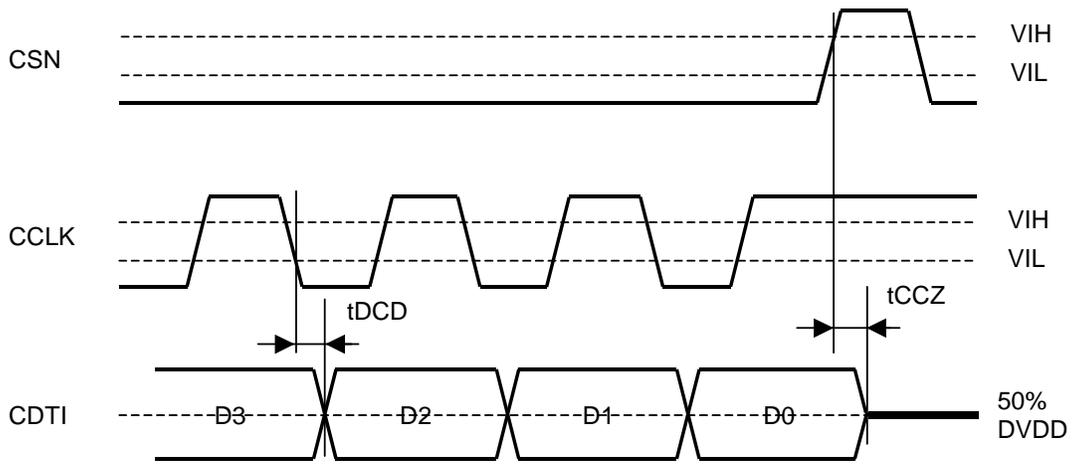


Figure 19. Read Data Output Timing

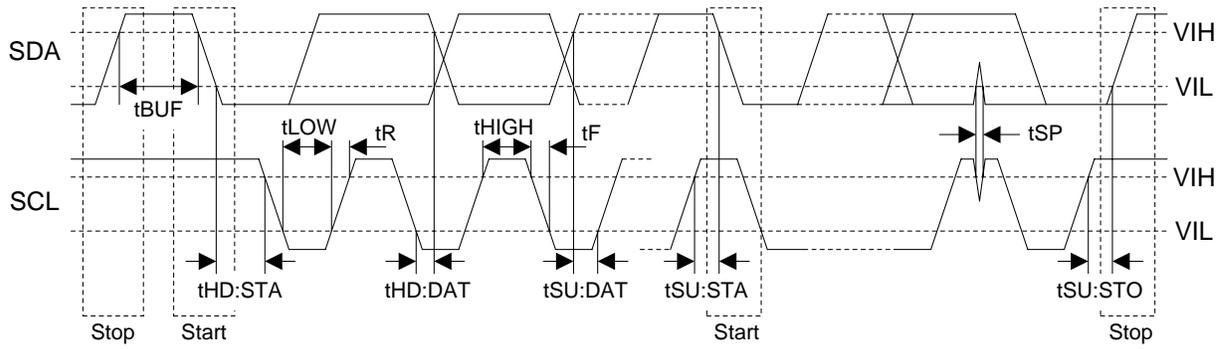


Figure 20. I²C Bus Mode Timing

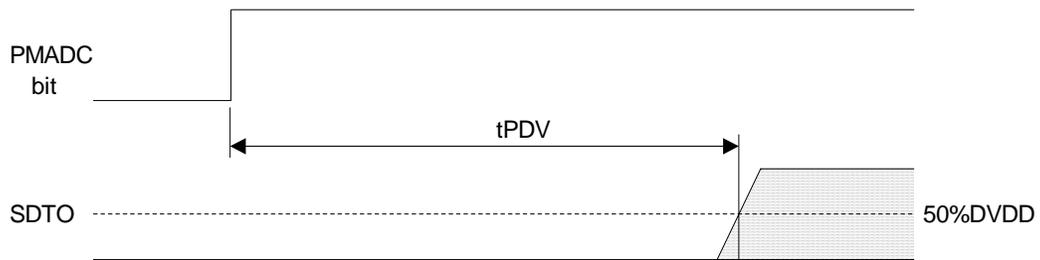


Figure 21. Power Down & Reset Timing 1

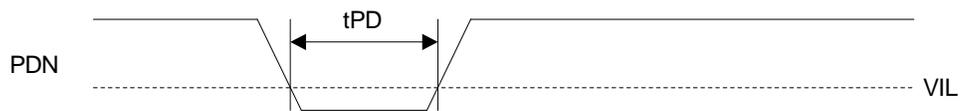


Figure 22. Power Down & Reset Timing 2

OPERATION OVERVIEW

■ System Clock

There are the following five clock modes to interface with external devices. (Table 1 and Table 2)

Mode	PMPLL bit	M/S bit	PLL3-0 bit	Figure
PLL Master Mode	1	1	Table 4	Figure 23
PLL Slave Mode 1 (PLL Reference Clock: MCKI pin)	1	0	Table 4	Figure 24
PLL Slave Mode 2 (PLL Reference Clock: FCK or BICK pin)	1	0	Table 4	Figure 25 Figure 26
EXT Slave Mode	0	0	x	Figure 27
EXT Master Mode	0	1	x	Figure 28

Table 1. Clock Mode Setting (x: Don't care)

Mode	MCKO bit	MCKO pin	MCKI pin	BICK pin	FCK pin
PLL Master Mode	0	“L” Output	Master Clock Input for PLL (Note 36)	16fs/32fs/64fs Output	1 fs Output
	1	256fs Output			
PLL Slave Mode 1 (PLL Reference Clock: MCKI pin)	0	“L” Output	Master Clock Input for PLL (Note 36)	≥ 16fs Input	1 fs Input
	1	256fs Output			
PLL Slave Mode 2 (PLL Reference Clock: FCK or BICK pin)	0	“L” Output	GND	16fs/32fs/64fs Input	1 fs Input
EXT Slave Mode	0	“L” Output	256fs/ 512fs/ 1024fs Input	≥ 32fs Input	1 fs Input
EXT Master Mode	0	“L” Output	256fs/ 512fs/ 1024fs Input	32fs/64fs Output	1 fs Output

Note 36. 12MHz/13.5MHz/24MHz/27MHz

Table 2. Clock pins state in Clock Mode

■ Master Mode/Slave Mode

The M/S bit selects either master or slave modes. M/S bit = “1” selects master mode and “0” selects slave mode. When the AK4635 is power-down mode (PDN pin = “L”) and exits reset state, the AK4635 is slave mode. After exiting reset state, the AK4635 changes to master mode by bringing M/S bit = “1”.

When the AK4635 is in master mode, FCK and BICK pins are a floating state until M/S bit becomes “1”. The FCK and BICK pins of the AK4635 should be pulled-down or pulled-up by about 100kΩ resistor externally to avoid the floating state.

M/S bit	Mode
0	Slave Mode
1	Master Mode

(default)

Table 3. Select Master/Slave Mod

■ PLL Mode

When PMPLL bit is “1”, a fully integrated analog phase locked loop (PLL) generates a clock that is selected by the PLL3-0 and FS3-0 bits. The PLL lock time is shown in Table 4. Either when the AK4635 is supplied to a stable clocks after PLL is powered-up (PMPLL bit = “0” → “1”) or when the sampling frequency changes, the PLL lock time is the same.

1) Setting of PLL Mode

Mode	PLL3 bit	PLL2 bit	PLL1 bit	PLL0 bit	PLL Reference Clock Input Pin	Input Frequency	R and C of VCOC pin (Note 37)		PLL Lock Time (max)
							R[Ω]	C[F]	
0	0	0	0	0	FCK pin	1fs	6.8k	220n	160ms
1	0	0	0	1	BICK pin	16fs	10k	4.7n	2ms
2	0	0	1	0	BICK pin	32fs	10k	4.7n	2ms
3	0	0	1	1	BICK pin	64fs	10k	4.7n	2ms
6	0	1	1	0	MCKI pin	12MHz	10k	4.7n	20ms
7	0	1	1	1	MCKI pin	24MHz	10k	4.7n	20ms
12	1	1	0	0	MCKI pin	13.5MHz	10k	10n	20ms
13	1	1	0	1	MCKI pin	27MHz	10k	10n	20ms
Others	Others			N/A					

(default)

Note 37. the tolerance of R is ±5%, the tolerance of C is ±30%

Table 4. Setting of PLL Mode (*fs: Sampling Frequency, N/A: Not available)

2) Setting of sampling frequency in PLL Mode.

When PLL2 bit is “1” (PLL reference clock input is the MCKI pin), the sampling frequency is selected by FS2-0 bits as defined in Table 5.

Mode	FS3 bit	FS2 bit	FS1 bit	FS0 bit	Sampling Frequency
0	0	0	0	0	8kHz
1	0	0	0	1	12kHz
2	0	0	1	0	16kHz
3	0	0	1	1	24kHz
4	0	1	0	0	7.35kHz
5	0	1	0	1	11.025kHz
6	0	1	1	0	14.7kHz
7	0	1	1	1	22.05kHz
10	1	0	1	0	32kHz
11	1	0	1	1	48kHz
14	1	1	1	0	29.4kHz
15	1	1	1	1	44.1kHz
Others	Others			N/A	

(default)

Table 5. Setting of Sampling Frequency at PLL2 bit = “1” and PMPLL bit = “1” (N/A: Not available)

When PLL2 bit is “0” (PLL reference clock input is FCK or BICK pin), the sampling frequency is selected by FS3-2 bits. (Table 6)

Mode	FS3 bit	FS2 bit	FS1 bit	FS0 bit	Sampling Frequency Range
0	0	0	x	x	7.35kHz ≤ fs ≤ 12kHz
1	0	1	x	x	12kHz < fs ≤ 24kHz
2	1	0	x	x	24kHz < fs ≤ 48kHz
Others	Others				N/A

(default)

(x: Don't care, N/A: Not available)

Table 6. Setting of Sampling Frequency at PLL2 bit = “0” and PMPLL bit = “1”

■ PLL Unlock State

1) PLL Master Mode (PMPLL bit = “1”, M/S bit = “1”)

In this mode, irregular frequency clocks are output from FCK, BICK and MCKO pins after PMPLL bit = “0” → “1” or sampling frequency is changed. After that PLL is unlocked, the BICK and FCK pins output “L” for a moment, and invalid frequency clock is output from the MCKO pin at MCKO bit = “1”. If the MCKO bit is “0”, MCKO pin is output to “L”. (Table 7)

When sampling frequency is changed, BICK and FCK pins do not output irregular frequency clocks but go to “L” by setting PMPLL bit to “0”.

PLL State	MCKO pin		BICK pin	FCK pin
	MCKO bit = “0”	MCKO bit = “1”		
After that PMPLL bit “0” → “1”	“L” Output	Invalid	“L” Output	“L” Output
PLL Unlock	“L” Output	Invalid	Invalid	Invalid
PLL Lock	“L” Output	256fs Output	See Table 9	1fs Output

Table 7. Clock Operation at PLL Master Mode (PMPLL bit = “1”, M/S bit = “1”)

2) PLL Slave Mode (PMPLL bit = “1”, M/S bit = “0”)

In this mode, an invalid clock is output from the MCKO pin after PMPLL bit = “0” → “1” or sampling frequency is changed. After that, 256fs is output from the MCKO pin when PLL is locked. ADC and DAC output invalid data when the PLL is unlocked. For DAC, the output signal should be muted by writing “0” to DACA and DACS bits in Addr=02H.

PLL State	MCKO pin	
	MCKO bit = “0”	MCKO bit = “1”
After that PMPLL bit “0” → “1”	“L” Output	Invalid
PLL Unlock	“L” Output	Invalid
PLL Lock	“L” Output	Output

Table 8. Clock Operation at PLL Slave Mode (PMPLL bit = “1”, M/S bit = “0”)

■ PLL Master Mode (PMPLL bit = “1”, M/S bit = “1”)

When an external clock (12MHz, 13.5MHz, 24MHz or 27MHz) is input to the MCKI pin, the MCKO, BICK and FCK clocks are generated by an internal PLL circuit. The MCKO output frequency is fixed to 256fs, the output is enabled by MCKO bit. The BICK is selected among 16fs, 32fs or 64fs, by BCKO1-0 bits. (Table 9)

In DSP mode, FCK output can select Duty 50% or High-output only during 1 BICK cycle (Table 10). Except DSP mode, FCKO bit should be set “0”.

When BICK output frequency is 16fs, the audio interface format supports Mode 0 only (DSP Mode).

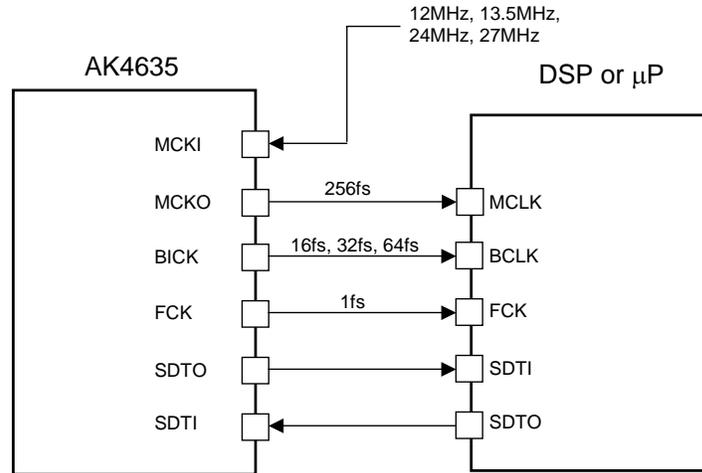


Figure 23. PLL Master Mode

Mode	BCKO1	BCKO0	BICK Output Frequency
0	0	0	16fs
1	0	1	32fs
2	1	0	64fs
3	1	1	N/A

(default)

Table 9. BICK Output Frequency at Master Mode

Mode	FCKO	FCK Output
0	0	Duty = 50%
1	1	High Width = 1/fBCK

(default)

fBCK is BICK Output Frequency.

Table 10. FCK Output at PLL Master Mode and DSP Mode

■ PLL Slave Mode (PMPLL bit = "1", M/S bit = "0")

A reference clock of PLL is selected among the input clocks to the MCKI, BICK or FCK pin. The required clock to the AK4635 is generated by an internal PLL circuit. Input frequency is selected by PLL3-0 bits. When BICK input frequency is 16fs, the audio interface format supports Mode 0 only (DSP Mode).

a) PLL reference clock: MCKI pin

BICK and FCK inputs should be synchronized with MCKO output. The phase between MCKO and FCK is not important. MCKO pin outputs the frequency selected by FS3-0 bits (Table 5)

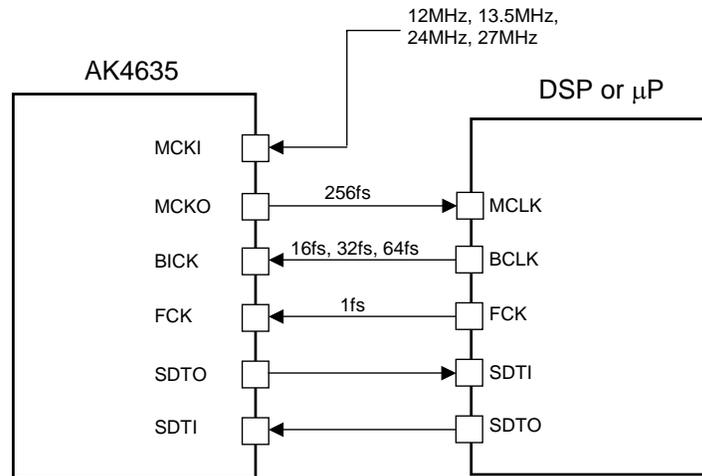


Figure 24. PLL Slave Mode 1 (PLL Reference Clock: MCKI pin)

b) PLL reference clock: BICK or LRCK pin

Sampling frequency corresponds to 7.35kHz to 48kHz by changing FS3-0 bits. (Table 6)

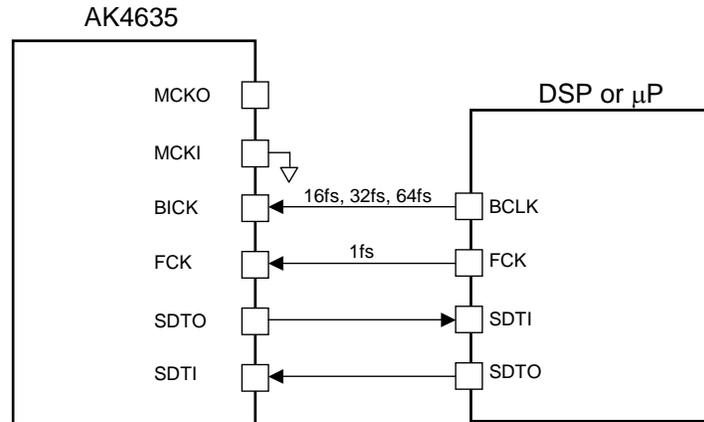


Figure 25 PLL Slave Mode 2 (PLL Reference Clock: BICK pin)

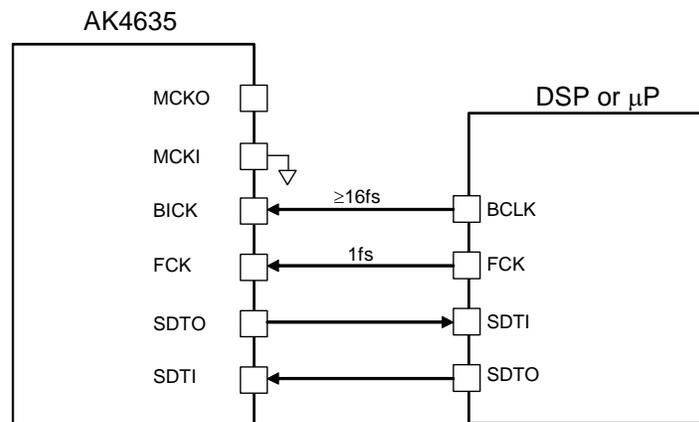


Figure 26. PLL Slave Mode 2 (PLL Reference Clock: FCK pin)

The external clocks (MCKI, BICK and FCK) should always be present whenever the ADC or DAC or SPK or Programmable Filter is in operation (PMADC bit = “1”, PMDAC bit = “1”, PMSPK bit = “1”, PMPFIL bit = “1”). If these clocks are not provided, the AK4635 may draw excess current and it is not possible to operate properly because utilizes dynamic refreshed logic internally. If the external clocks are not present, the ADC, DAC, SPK and Programmable Filter should be in the power-down mode.(PMADC = PMDAC = PMPFIL bits = “0”).

■ EXT Slave Mode (PMPLL bit = “0”, M/S bit = “0”)

When PMPLL bit is “0”, the AK4635 becomes EXT Slave mode. Master clock is input from the MCKI pin, the internal PLL circuit is not operated. This mode is compatible with I/F of the normal audio CODEC. The clocks required to operate are MCKI (256fs, 512fs or 1024fs), FCK (fs) and BICK ($\geq 32fs$). The master clock (MCKI) should be synchronized with FCK. The phase between these clocks is not important. The input frequency of MCKI is selected by FS1-0 bits. (Table 11)

Mode	FS3-2 bits	FS1 bit	FS0 bit	MCKI Input Frequency	Sampling Frequency Range
0	x	0	0	256fs	$7.35kHz \leq fs \leq 48kHz$ (default)
1	x	0	1	1024fs	$7.35kHz \leq fs \leq 13kHz$
2	x	1	0	512fs	$7.35kHz \leq fs \leq 26kHz$
3	x	1	1	256fs	$7.35kHz \leq fs \leq 48kHz$

Table 11. MCKI Frequency at EXT Slave Mode (PMPLL bit = “0”, M/S bit = “0”) (x: Don’t care)

External Slave Mode does not support Mode 0 (DSP Mode) of Audio Interface Format.

The S/N of the DAC at low sampling frequencies is worse than at high sampling frequencies due to out-of-band noise. The out-of-band noise can be improved by using higher frequency of the master clock. (Table 12, Table 13)

MCKI	S/N ($fs=8kHz$, $20kHzLPF + A$ -weighted)	
	DAC \rightarrow AOUT	
256fs	84dB	
512fs	92dB	
1024fs	92dB	

Table 12. Relationship between MCKI and S/N of AOUT and SPK-Amp

MCKI	Output Noise Level ($SVDD=3.3V$, $fs=8kHz$, $20kHzLPF + A$ -weighted)	
	SDTI \rightarrow SPK-Amp	
256fs	-73dBV	
512fs	-86dBV	
1024fs	-88dBV	

Table 13. Relationship between MCKI and Output Noise Level of SPK-Amp

The external clocks (MCKI, BICK and FCK) should always be present whenever the ADC or DAC or SPK or Programmable Filter is in operation (PMADC = PMDAC = PMSPK bit = PMPFIL bits = “1”). If these clocks are not provided, the AK4635 may draw excess current and it is not possible to operate properly because utilizes dynamic refreshed logic internally. If the external clocks are not present, the ADC, DAC, SPK and Programmable Filter should be in the power-down mode (PMADC = PMDAC = PMSPK bit = PMPFIL bits = “0”).

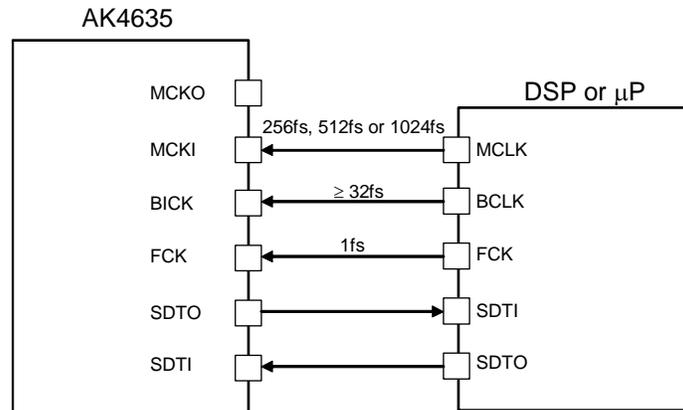


Figure 27. EXT Slave Mode

■ EXT Master Mode (PMPLL bit = “0”, M/S bit = “1”)

The AK4635 becomes EXT Master Mode by setting PMPLL bit = “0” and M/S bit = “1”. Master clock is input from the MCKI pin, the internal PLL circuit is not operated. The clock required to operate is MCKI (256fs, 512fs or 1024fs). The input frequency of MCKI is selected by FS1-0 bits (Table 14). The BICK is selected among 32fs or 64fs, by BCKO1-0 bits (Table 15). FCK bit should be set to “0”.

Mode	FS3-2 bits	FS1 bit	FS0 bit	MCKI Input Frequency	Sampling Frequency Range
0	x	0	0	256fs	7.35kHz ≤ fs ≤ 48kHz
1	x	0	1	1024fs	7.35kHz ≤ fs ≤ 13kHz
2	x	1	0	512fs	7.35kHz ≤ fs ≤ 26kHz
3	x	1	1	256fs	7.35kHz ≤ fs ≤ 48kHz

Table 14. MCKI Frequency at EXT Master Mode (PMPLL bit = “0”, M/S bit = “1”) (x: Don’t care)

External Master Mode does not support Mode 0 (DSP Mode) of Audio Interface Format.

MCKI should always be present whenever the ADC, DAC, SPK or Programmable Filter is in operation (PMADC = PMDAC = PMSPK bit = PMPFIL bits = “1”). If MCKI is not provided, the AK4635 may draw excess current and it is not possible to operate properly because utilizes dynamic refreshed logic internally. If MCKI is not present, the ADC, DAC, SPK and Programmable Filter should be in the power-down mode (PMADC = PMDAC = PMSPK = PMPFIL bits = “0”).

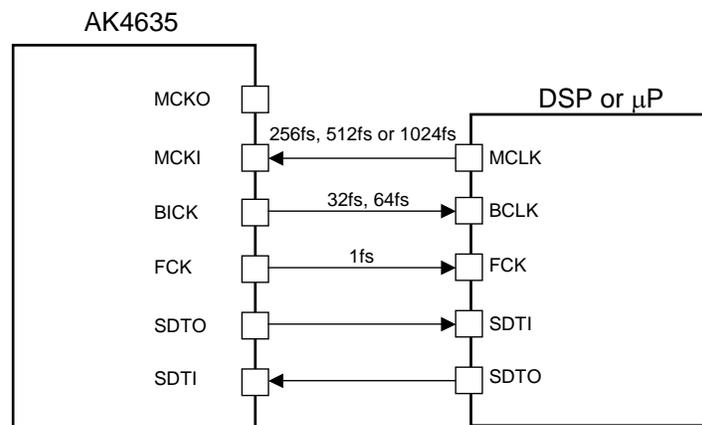


Figure 28. EXT Master Mode

Mode	BCKO1	BCKO0	BICK Output Frequency
0	0	0	N/A
1	0	1	32fs
2	1	0	64fs
3	1	1	N/A

Table 15. BICK Output Frequency at Master Mode (N/A: Not available)

■ Audio Interface Format

Four types of data formats are available and are selected by setting the DIF1-0 bits. (Table 16) In all modes, the serial data is MSB first, 2's complement format. Audio interface formats can be used in both master and slave modes. FCK and BICK are output from the AK4635 in master mode, but must be input to the AK4635 in slave mode.

In Mode 1-3, the SDTO is clocked out on the falling edge of BICK and the SDTI is latched on the rising edge.

Mode	DIF1	DIF0	SDTO (ADC)	SDTI (DAC)	BICK	Figure
0	0	0	DSP Mode	DSP Mode	$\geq 16fs$	See Table 17
1	0	1	MSB justified	MSB justified	$\geq 32fs$	Figure 29
2	1	0	MSB justified	MSB justified	$\geq 32fs$	Figure 30
3	1	1	I ² S compatible	I ² S compatible	$\geq 32fs$	Figure 31

(default)

Table 16. Audio Interface Format

In Mode0 (DSP mode), the audio I/F timing is changed by BCKP and MSBS bits.

When BCKP bit is "0", SDTO data is output by rising edge of BICK, SDTI data is latched by falling edge of BICK. When BCKP bit is "1", SDTO data is output by falling edge of BICK, SDTI data is latched by rising edge of BICK.

MSB data position of SDTO and SDTI can be shifted by MSBS bit. The shifted period is a half of BICK.

MSBS bit	BCKP bit	Audio Interface Format
0	0	Figure 32
0	1	Figure 33
1	0	Figure 34
1	1	Figure 35

(default)

Table 17. Audio Interface Format in Mode 0

If 16-bit data, the output of ADC, is converted to 8-bit data by removing LSB 8-bit, "-1" at 16bit data is converted to "-1" at 8-bit data. And when the DAC plays back this 8-bit data, "-1" at 8-bit data will be converted to "-256" at 16-bit data and this is a large offset. This offset can be removed by adding the offset of "128" to 16-bit data before converting to 8-bit data.

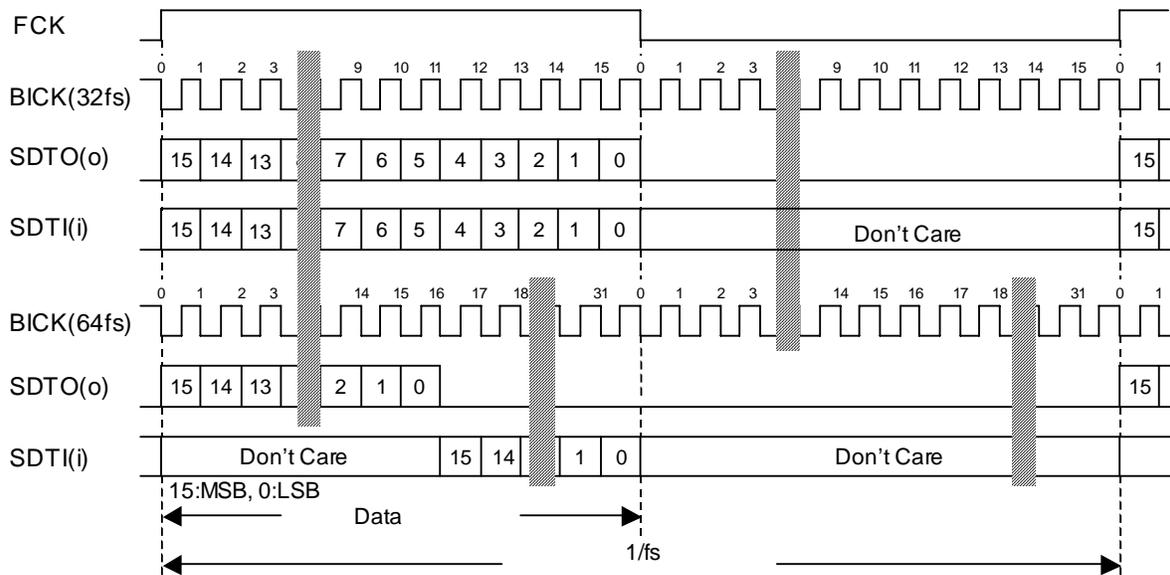


Figure 29. Mode 1 Timing

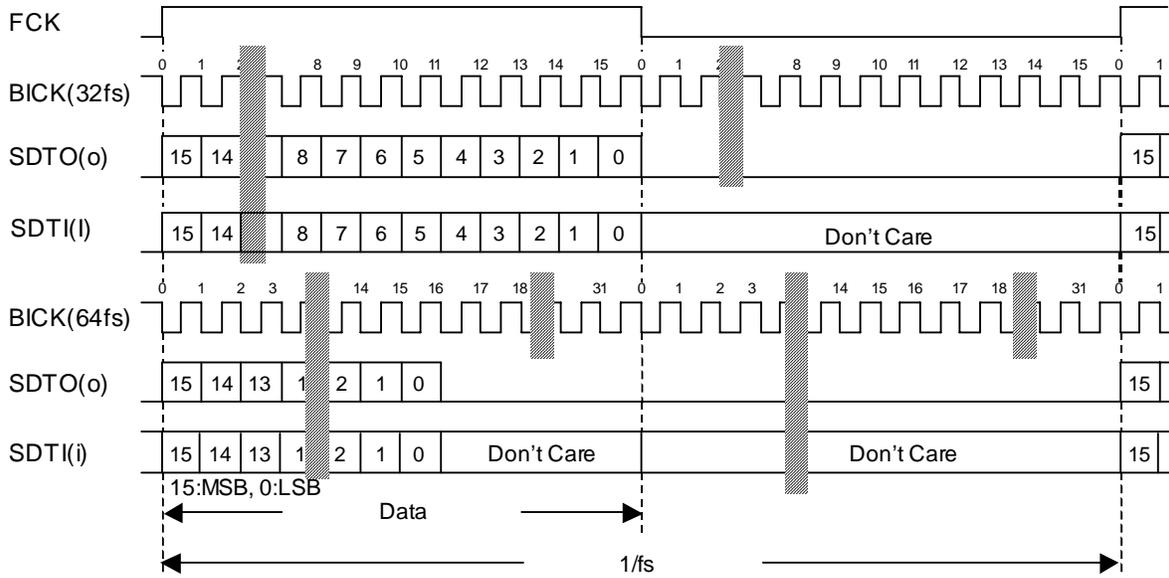


Figure 30. Mode 2 Timing

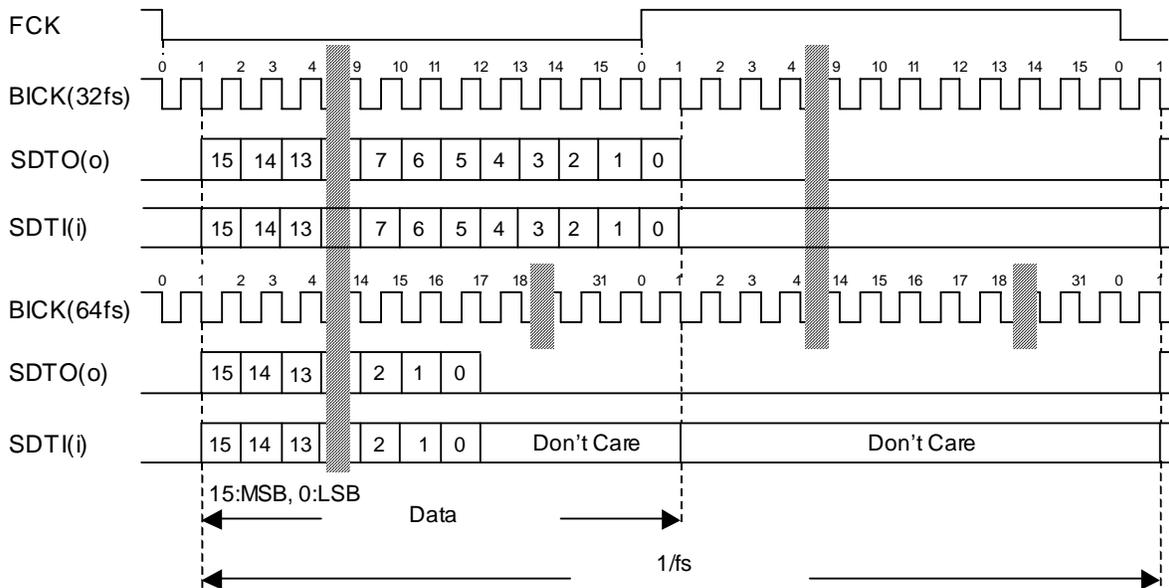


Figure 31. Mode 3 Timing

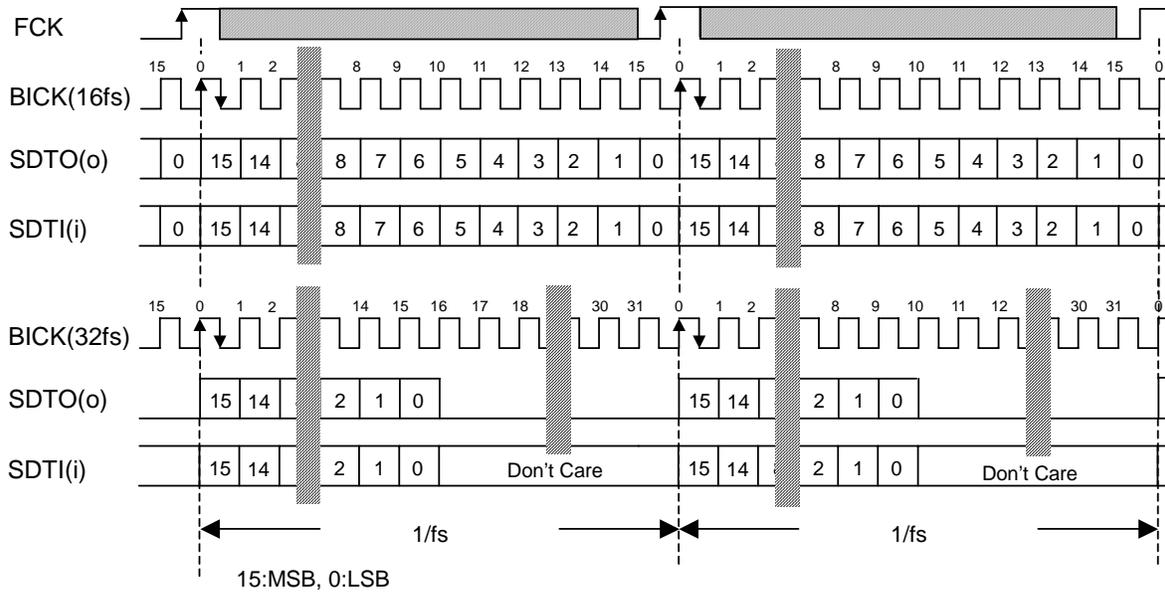


Figure 32. Mode 0 Timing (BCKP = "0", MSBS = "0")

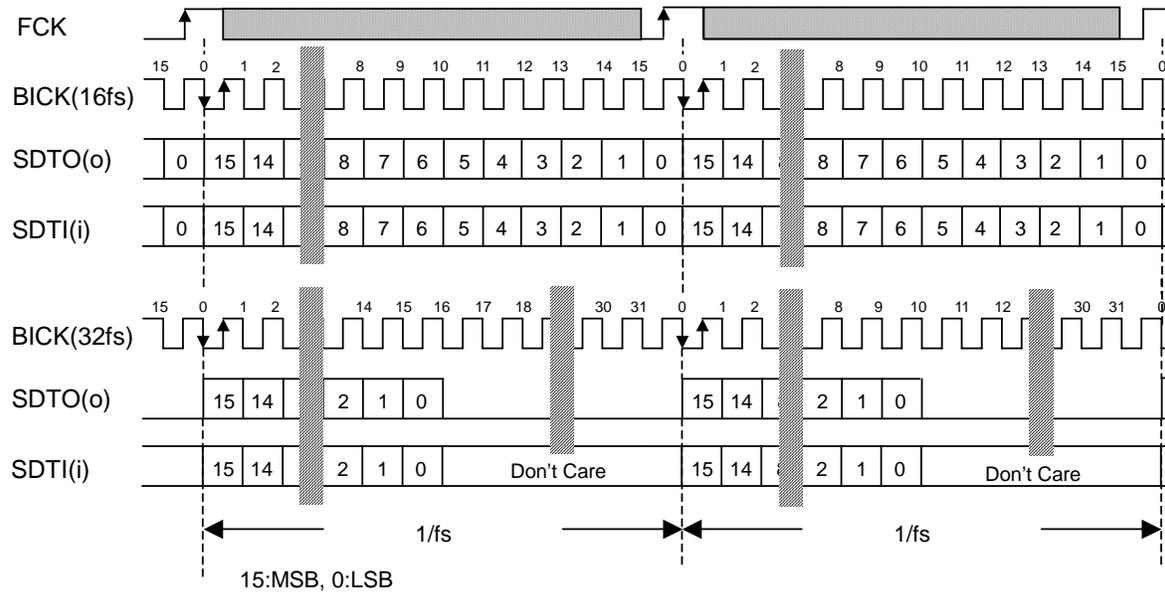


Figure 33. Mode 0 Timing (BCKP = "1", MSBS = "0")

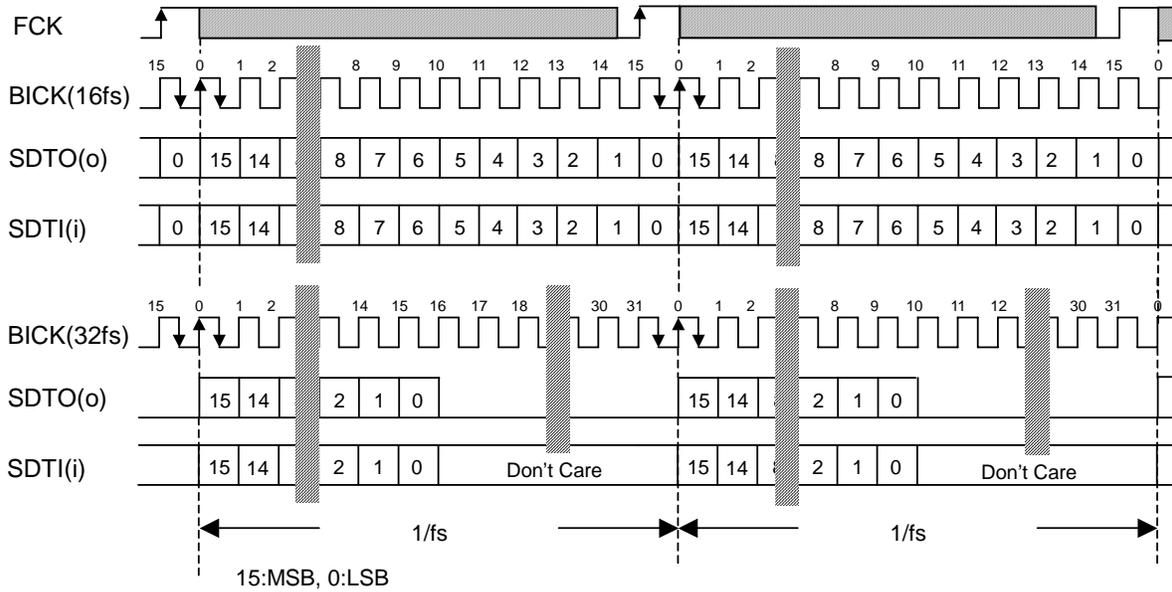


Figure 34. Mode 0 Timing (BCKP = "0", MSBS = "1")

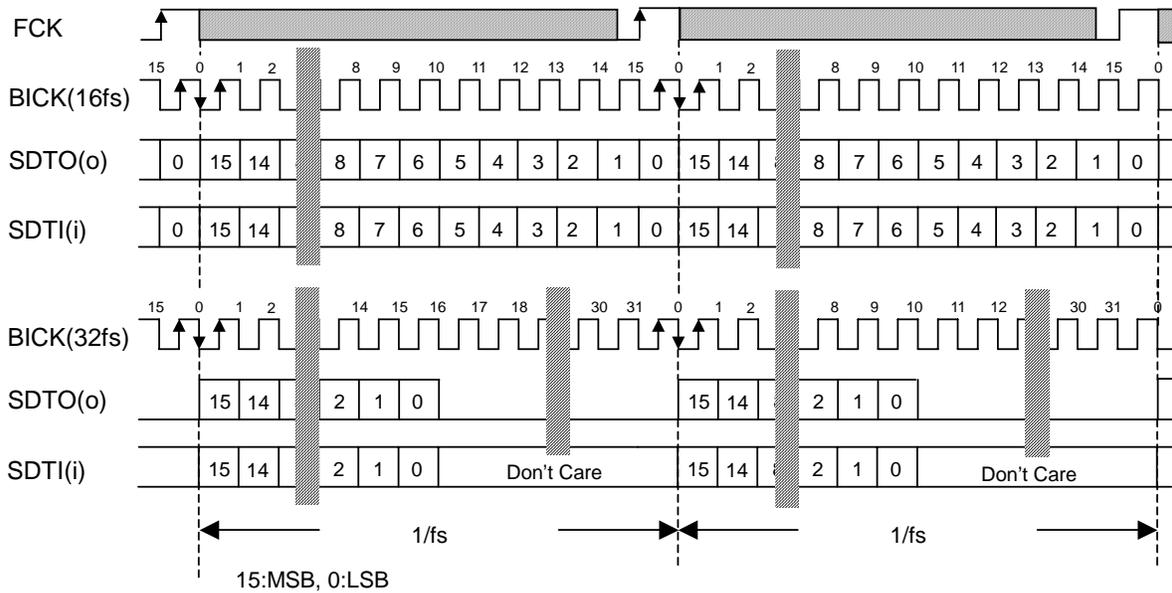


Figure 35. Mode 0 Timing (BCKP = "1", MSBS = "1")

■ System Reset

When power-up, the PDN pin should be “L” and change to “H” after all power are supplied. “L” time of 150ns or more is needed to reset in the AK4635.

The ADC enters an initialization cycle when the PMADC bit is changed from “0” to “1”. The initialization cycle time is $1059/f_s$, or $133\text{ms}@f_s = 8\text{kHz}$. During the initialization cycle, the ADC digital data outputs of both channels are forced to a 2's compliment, “0”. The ADC output reflects the analog input signal after the initialization cycle is complete. The DAC does not require an initialization cycle.

(Note) Off-set occurs in the initial data depending on the conditions of a microphone and cut-off frequency of HPF.

When Off-set becomes a problem, lengthen initialization time of ADC as ADRST bit = “0” or do not use initial output data of ADC.

ADRST bit	Init Cycle			
	Cycle	$f_s = 8\text{kHz}$	$f_s = 16\text{kHz}$	$f_s = 48\text{kHz}$
0	$1059/f_s$	132.4ms	66.2ms	22.1ms
1	$291/f_s$	36.4ms	18.2ms	6.1ms

Table 18 Initialization cycle of ADC

■ Thermal Shut Down

When the internal device temperature rises up irregularly (e.g. output pins of speaker amplifier are shortened), the AK4635 is powered down automatically and then THDET bit becomes “1”. The powered-down speaker amplifier do not return to normal operation unless SPK-Amp blocks of the AK4635 are reset by the PDN pin “L”. The device status can be monitored by THDET bit.

■ MIC/LINE Input Selector

The AK4646 has an input selector. When MDIF bit is “0”, LIN bit selects MIC pin or LIN pin. When MDIF bit is “1”, full-differential input is available.

MDIF bit	LIN bit	Input circuit	Input pin
0	0	Single-End	MIC pin
0	1	Single-End	LIN pin
1	x	Differential	MICP/MICN pin

(default)

Table 19. Input Select (x: Don't care)

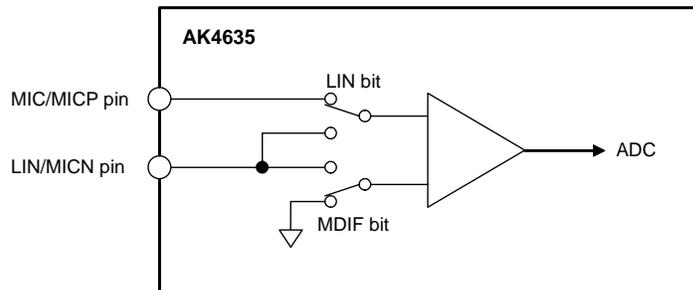


Figure 36 Input Selector

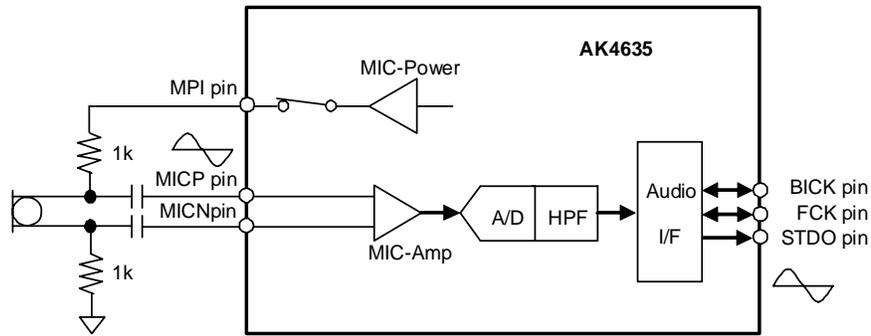


Figure 37. MIC Differential Input Circuit

■ MIC Gain Amplifier

The AK4635 has a Gain Amplifier for Microphone input. These gains are selected by the MGAIN3-0 bit. The typical input impedance is 30kΩ.

MGAIN3 bit	MGAIN2 bit	MGAIN1 bit	MGAIN0 bit	Input Gain
0	0	0	0	0dB
0	0	0	1	+20dB (default)
0	0	1	0	+26dB
0	0	1	1	+32dB
0	1	0	0	+10dB
0	1	0	1	+17dB
0	1	1	0	+23dB
0	1	1	1	+29dB
1	0	0	0	+3dB
1	0	0	1	+6dB
Others				N/A

Table 20. Input Gain

■ MIC Power

The MPI pin supplies power for the Microphone. This output voltage is proportional to $0.8 \times AVDD$ typically and the load resistance is minimum 2kΩ. No capacitor must not be connected to the MPI pin, directly. (Figure 38)

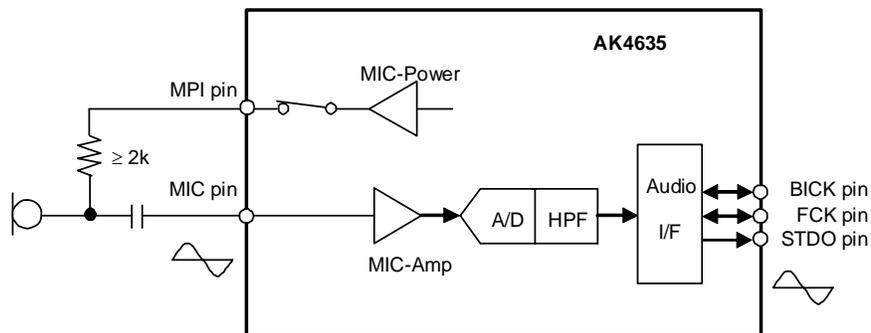
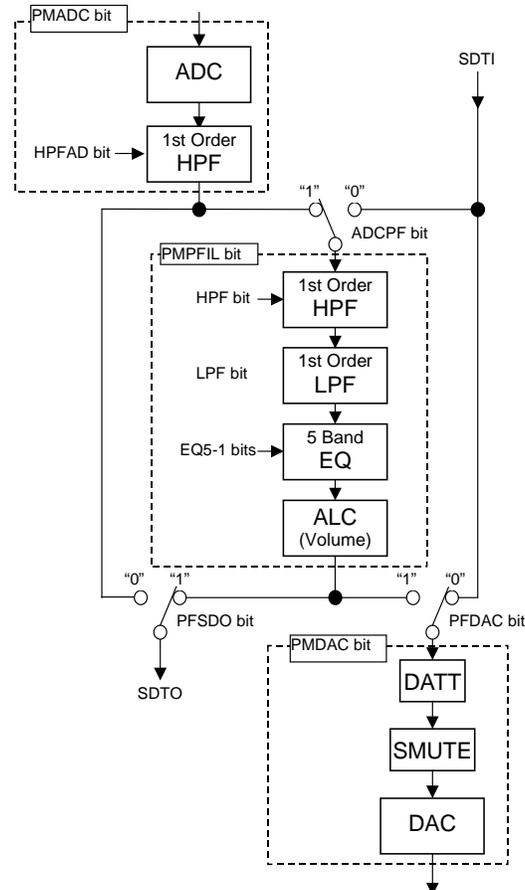


Figure 38. MIC Block Circuit

■ Digital Block

The digital block consists of block diagram as shown in Figure 39. The AK4635 can choose various signal processing on a recording path or a playback path by setting ADCPF bit, PFDAC bit and PFSDO bit. (Figure 39 ~ Figure 42, Table 21)



- (1) ADC: Include the Digital Filter (LPF) for ADC as shown in “FILTER CHARACTERISTICS”.
- (2) DAC: Include the Digital Filter (LPF) for DAC as shown in “FILTER CHARACTERISTICS”.
- (3) HPF: High Pass Filter. Applicable to use as Wind-Noise Reduction Filter. (See “Programmable Filter”.)
- (4) LPF: Low Pass Filter (See “Digital Programmable Filter”.)
- (5) 5-Band EQ: Applicable to use as Equalizer or Notch Filter. (See “Digital Programmable Filter”.)
- (6) ALC: Input Digital Volume with ALC function. (See “Input Digital Volume” and “ALC”.)
- (7) DATT: 4-step Digital Volume for recording path. (See “Digital Volume 2”)
- (8) SMUTE: Soft mute. (See “Soft Mute”.)

Figure 39. Digital Block Path Select

Mode	ADCPF bit	PFDAC bit	PFSDO bit	Figure
Recording Mode	1	0	1	Figure 40
Reproduction Mode	0	1	0	Figure 41
Loop Back Mode	1	1	1	Figure 42

Table 21 Recording Reproduction Mode

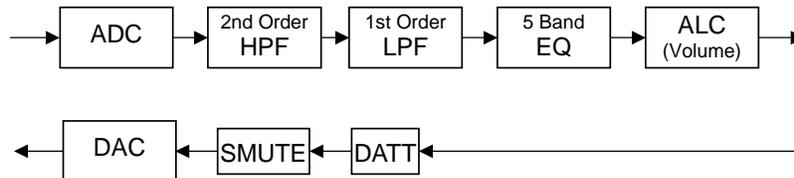


Figure 40. Path at Recording Mode (default)

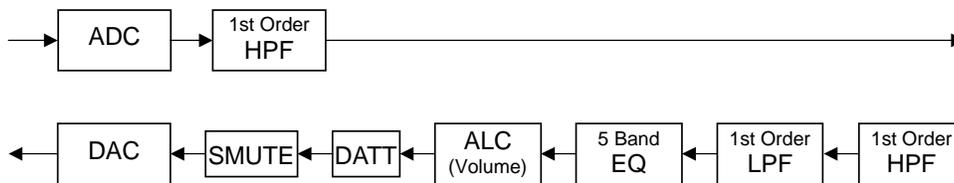


Figure 41. Path at Playback Mode

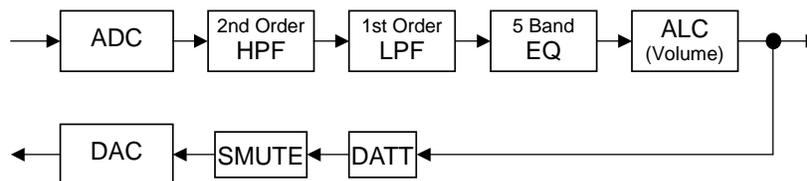


Figure 42. Path at Recording & Playback Mode

■ Digital Programmable Filter Circuit

The AK4635 has 2 steps of 1st order HPF, 1st order LPF and 5-band Equalizer built-in in a recording path and a playback path.

(1) High Pass Filter (HPF)

Normally, this HPF is used as a Wind-Noise Reduction Filter. This is composed with 2 steps of 1st order HPF. The coefficient of both HPF is the same and set by F1A13-0 bits and F1B13-0 bits. HPFAD bit controls ON/OFF of the 1st step HPF and HPF bit controls ON/OFF of the 2nd step HPF. When the HPF is OFF, the audio data passes this block by 0dB gain. The coefficient should be set when HPFAD = HPF bits = "0" or PMADC = PMPFIL bits = "0".

fs : Sampling frequency

fc : Cut-off frequency

Register setting (Note 38)

HPF: F1A[13:0] bits = A, F1B[13:0] bits = B
(MSB = F1A13, F1B13; LSB = F1A0, F1B0)

$$A = \frac{1}{1 + \tan(\pi fc/fs)}, \quad B = \frac{1 - \tan(\pi fc/fs)}{1 + \tan(\pi fc/fs)}$$

The cut-off frequency should be set as below.

$$fc/fs \geq 0.0001 \quad (fc \text{ min} = 1.6\text{Hz at } 16\text{kHz})$$

(2) Low Pass Filter(LPF)

This is composed with 1st order LPF. F2A13-0 bits and F2B13-0 bits set the coefficient of LPF. LPF bit controls ON/OFF of the LPF. When the LPF is OFF, the audio data passes this block by 0dB gain. The coefficient should be set when LPF bit = "0" or PMPFIL bits = "0".

fs : Sampling frequency

fc : Cut-off frequency

Register setting (Note 38)

LPF: F2A[13:0] bits =A, F2B[13:0] bits =B
(MSB=F2A13, F1B13; LSB=F2A0, F2B0)

$$A = \frac{1}{1 + 1 / \tan(\pi fc/fs)}, \quad B = \frac{1 - 1 / \tan(\pi fc/fs)}{1 + 1 / \tan(\pi fc/fs)}$$

The cut-off frequency should be set as below.

$$fc/fs \geq 0.05 \quad (fc \text{ min} = 2205\text{Hz at } 44.1\text{kHz})$$

(3) 5-band Equalizer

This block can be used as Equalizer or Notch Filter. ON/OFF 5-band Equalizer (EQ1, EQ2, EQ3, EQ4 and EQ5) can be controlled independently by EQ1, EQ2, EQ3, EQ4 and EQ5 bits. When Equalizer is OFF, the audio data passes this block by 0dB gain. E1A15-0, E1B15-0 and E1C15-0 bits set the coefficient of EQ1. E2A15-0, E2B15-0 and E2C15-0 bits set the coefficient of EQ2. E3A15-0, E3B15-0 and E3C15-0 bits set the coefficient of EQ3. E4A15-0, E4B15-0 and E4C15-0 bits set the coefficient of EQ4. E5A15-0, E5B15-0 and E5C15-0 bits set the coefficient of EQ5.

f_s : The Sampling frequency

$f_{o1} \sim f_{o5}$: The Center frequency

$f_{b1} \sim f_{b5}$: The Band width where the gain is 3dB different from center frequency

$K_1 \sim K_5$: The Gain ($-1 \leq K_n < 3$)

Register setting (Note 38)

EQ1: E1A[15:0] bits =A₁, E1B[15:0] bits =B₁, E1C[15:0] bits =C₁

EQ2: E2A[15:0] bits =A₂, E2B[15:0] bits =B₂, E2C[15:0] bits =C₂

EQ3: E3A[15:0] bits =A₃, E3B[15:0] bits =B₃, E3C[15:0] bits =C₃

EQ4: E4A[15:0] bits =A₄, E4B[15:0] bits =B₄, E4C[15:0] bits =C₄

EQ5: E5A[15:0] bits =A₅, E5B[15:0] bits =B₅, E5C[15:0] bits =C₅

(MSB=E1A15, E1B15, E1C15, E2A15, E2B15, E2C15, E3A15, E3B15, E3C15, E4A15, E4B15, E4C15, E5A15, E5B15, E5C15 ; LSB= E1A0, E1B0, E1C0, E2A0, E2B0, E2C0, E3A0, E3B0, E3C0, E4A0, E4B0, E4C0, E5A0, E5B0, E5C0)

$$A_n = K_n \times \frac{\tan(\pi f_{b_n}/f_s)}{1 + \tan(\pi f_{b_n}/f_s)}, \quad B_n = \cos(2\pi f_{o_n}/f_s) \times \frac{2}{1 + \tan(\pi f_{b_n}/f_s)}, \quad C_n = -\frac{1 - \tan(\pi f_{b_n}/f_s)}{1 + \tan(\pi f_{b_n}/f_s)}$$

(n = 1, 2, 3, 4, 5)

The center frequency should be set as below

$$f_{o_n} / f_s < 0.497$$

When gain of K is set to “-1”, the equalizer becomes notch filter. When it is used as notch filter, central frequency of a real notch filter deviates from the above-mentioned calculation, if its central frequency of each band is near. The control soft that is attached to the evaluation board has a function that revises a gap of frequency, and calculates the coefficient. When its central frequency of each band is near, revise the central frequency and confirm the frequency response.

Note 38.

[Translation the filter coefficient calculated by the equations above from real number to binary code (2's complement)]

$$X = (\text{Real number of filter coefficient calculated by the equations above}) \times 2^{13}$$

X should be rounded to integer, and then should be translated to binary code (2's complement).

MSB of each filter coefficient setting register is sine bit.

■ Input Digital Volume (Manual Mode)

When ADCPF bit = “1” and ALC1 bit = “0”, ALC block becomes an input digital volume (manual mode). The digital volume’s gain is set by IVOL7-0 bits as shown in Table 22. The IVOL value is changed at zero cross or zero cross time out. The zero crossing timeout period is set by ZTM1-0 bits.

IVOL7-0bits	GAIN(0dB)	Step
F1H	+36.0	0.375dB (default)
F0H	+35.625	
EFH	+35.25	
:	:	
92H	+0.375	
91H	0.0	
90H	-0.375	
:	:	
2H	-53.625	
1H	-54.0	
0H	MUTE	

Table 22. Input Digital Volume Setting

When writing to the IVOL7-0 bits continually, the control register should be written in an interval more than zero crossing timeout. If not, zero crossing counter could be reset at each time and volume is not be changed. However, it could be ignored when writing the same register value as the last time. At this time, zero crossing counter has not been reset, so it should be written in an interval less than zero crossing timeout.

■ Output Digital volume (Manual mode)

When ADCPF bit = “0” and ALC2 bit = “0”, ALC block become an output digital volume (manual mode). The digital volume’s gain is set by OVOL7-0 bits as shown in [Table 23](#). The OVOL7-0 bits value are reflected to this output volume at zero cross or zero cross time out. The zero crossing timeout period is set by ZTM1-0 bits.

OVOL7-0bits	GAIN(0dB)	Step
F1H	+36.0	0.375dB (default)
F0H	+35.625	
EFH	+35.25	
:	:	
92H	+0.375	
91H	0.0	
90H	-0.375	
:	:	
2H	-53.625	
1H	-54.0	
0H	MUTE	

Table 23 Output Digital Volume Setting

When writing to the OVOL7-0 bits continually, the control register should be written by an interval more than zero crossing timeout. If not, zero crossing counter could be reset at each time and volume is not be changed. However, It could be ignored when writing a same register value as the last time. At this time, zero crossing counter has not been reset, so it should be written by an interval less than zero crossing timeout.

■ Output Digital Volume2

AK4635 has 4 steps output volume in addition to the volume setting by OVOL7-0 bits. This volume is set by DATT1-0 bits as shown in [Table 24](#).

DATT1-0bits	GAIN(0dB)	Step
0H	0.0	6.0dB (default)
1H	-6.0	
2H	-12.0	
3H	-18.1	

Table 24. Output Digital Volume2 Setting

■ ALC Operation

ALC Operation works in ALC block. When ADCPF bit = "1", ALC operation is enable for recording path. When ADCPF bit = "0", ALC operation is enable for playback path. The ON/OFF of ALC operation for recording is controlled by ALC1 bit and the ON/OFF of ALC operation for playback is controlled by ALC2 bit.

1. ALC Limiter Operation

When the ALC limiter is enabled, and output exceeds the ALC limiter detection level (Table 25), the volume value is attenuated by the amount defined in LMAT1-0 bits (Table 26) automatically.

When the ZELMN bit = "0" (zero crossing detection valid), the VOL value is changed by ALC limiter operation at the zero crossing point or zero crossing timeout. Zero crossing timeout period is set by ZTM1-0 bit that in common with ALC recovery zero crossing timeout period's setting (Table 27). At LFST bit = "1", VOL value is attenuated 1step immediately (period : 1/fs) when output Level is over FS(Digital Full Scale).

When the ZELMN bit = "1" (zero crossing detection invalid), VOL value has been changed immediately (period: 1/fs) by ALC limiter operation. The attenuation for limiter operation is fixed to 1 step and not controlled by setting LMAT1-0 bits.

After finishing the attenuation operation, if ALC bit does not change to "0", the operation repeats when the output signal level exceeds the ALC limiter detection level.

LMTH1	LMTH0	ALC Limiter Detection Level	ALC Recovery Waiting Counter Reset Level
0	0	ALC Output \geq -2.5dBFS	-2.5dBFS > ALC Output \geq -4.1dBFS
0	1	ALC Output \geq -4.1dBFS	-4.1dBFS > ALC Output \geq -6.0dBFS
1	0	ALC Output \geq -6.0dBFS	-6.0dBFS > ALC Output \geq -8.5dBFS
1	1	ALC Output \geq -8.5dBFS	-8.5dBFS > ALC Output \geq -12dBFS

(default)

Table 25. ALC Limiter Detection Level / Recovery Waiting Counter Reset Level

LMAT1	LMAT0	ALC1 Limiter ATT Step			
		ALC1 Output \geq LMTH	ALC1 Output \geq FS	ALC1 Output \geq FS + 6dB	ALC1 Output \geq FS + 12dB
0	0	1	1	1	1
0	1	2	2	2	2
1	0	2	4	4	8
1	1	1	2	4	8

(default)

Table 26. ALC Limiter ATT Step Setting

ZTM1	ZTM0	Zero Crossing Timeout Period			
			8kHz	16kHz	44.1kHz
0	0	128/fs	16ms	8ms	2.9ms
0	1	256/fs	32ms	16ms	5.8ms
1	0	512/fs	64ms	32ms	11.6ms
1	1	1024/fs	128ms	64ms	23.2ms

(default)

Table 27. ALC Zero Crossing Timeout Period Setting

2. ALC Recovery Operation

The ALC recovery operation waits for the WTM2-0 bits (Table 28) to be set after completing the ALC limiter operation. If the input signal does not exceed “ALC recovery waiting counter reset level” (Table 25) during the wait time, the ALC recovery operation is executed. The VOL value is automatically incremented by RGAIN1-0 bits (Table 29) up to the set reference level (Table 30, Table 31) with zero crossing detection which timeout period is set by ZTM1-0 bits (Table 27). The ALC recovery operation is executed in a period set by WTM2-0 bits.

For example, when the current VOL value is 30H and RGAIN1-0 bits are set to “01”(2 steps), VOL is changed to 32H by the auto limiter operation and then the input signal level is gained by 0.75dB (=0.375dB x 2). When the VOL value exceeds the reference level (IREF7-0 or OREF5-0), the VOL values are not increased.

When

“ALC recovery waiting counter reset level (LMTH1-0) ≤ Output Signal < ALC limiter detection level (LMTH1-0)” during the ALC recovery operation, the waiting timer of ALC recovery operation is reset. When

“ALC recovery waiting counter reset level (LMTH1-0) > Output Signal”, the waiting timer of ALC recovery operation starts.

The ALC operation corresponds to the impulse noise. When the impulse noise is input, the ALC recovery operation becomes faster than a normal recovery operation. When large noise is input to microphone instantaneously, the quality of small level in the large noise can be improved by this fast recovery operation. The speed of first recovery operation is set by RFST1-0 bits (Table 32).

WTM2	WTM1	WTM0	ALC Recovery Operation Waiting Period			(default)
			8kHz	16kHz	44.1kHz	
0	0	0	128/fs	16ms	8ms	2.9ms
0	0	1	256/fs	32ms	16ms	5.8ms
0	1	0	512/fs	64ms	32ms	11.6ms
0	1	1	1024/fs	128ms	64ms	23.2ms
1	0	0	2048/fs	256ms	128ms	46.4ms
1	0	1	4096/fs	512ms	256ms	92.9ms
1	1	0	8192/fs	1024ms	512ms	185.8ms
1	1	1	16384/fs	2048ms	1024ms	371.5ms

Table 28. ALC Recovery Operation Waiting Period

RGAIN1	RGAIN0	GAIN STEP		(default)
0	0	1	0.375dB	
0	1	2	0.750dB	
1	0	3	1.125dB	
1	1	4	1.500dB	

Table 29. ALC Recovery GAIN Step

IREF7-0bits	GAIN(0dB)	Step
F1H	+36.0	0.375dB (default)
F0H	+35.625	
EFH	+35.25	
:	:	
C5H	+19.5	
:	:	
92H	+0.375	
91H	0.0	
90H	-0.375	
:	:	
2H	-53.625	
1H	-54.0	
0H	MUTE	

Table 30. Reference Level at ALC Recovery operation for recoding

OREF5-0bits	GAIN(0dB)	Step
3CH	+36.0	1.5dB (default)
3BH	+34.5	
3AH	+33.0	
:	:	
28H	+6.0	
:	:	
25H	+1.5	
24H	0.0	
23H	-1.5	
:	:	
2H	-51.0	
1H	-52.5	
0H	-54.0	

Table 31. Reference Level at ALC Recovery operation for playback

RFST1 bit	RFST0 bit	Recovery Speed
0	0	4 times
0	1	8 times
1	0	16times
1	1	N/A

Table 32. First Recovery Speed Setting (N/A: Not available)

3. The Volume at the ALC Operation

The current volume value at the ALC operation is reflected by VOL7-0 bits. It is enable to check the current volume value by reading the register value of VOL7-0 bits.

This function is available only at the time of 3-wire mode. The volume value at the ALC operation can not be read in I²C mode.

VOL7-0bits	GAIN(0dB)
F1H	+36.0
F0H	+35.625
EFH	+35.25
:	:
C5H	+19.5
:	:
92H	+0.375
91H	0.0
90H	-0.375
:	:
2H	-53.625
1H	-54.0
0H	MUTE

Table 33. Value of VOL7-0 bits

4. Example of the ALC Operation for Recording Operation

Table 34 shows the examples of the ALC setting for mic recording.

Register Name	Comment	fs=8kHz		fs=16kHz	
		Data	Operation	Data	Operation
LMTH1-0	Limiter detection Level	01	-4.1dBFS	01	-4.1dBFS
ZELM	Limiter zero crossing detection	0	Enable	0	Enable
ZTM1-0	Zero crossing timeout period	00	16ms	01	16ms
WTM2-0	Recovery waiting period *WTM1-0 bits should be more than or equal to ZTM1-0 bits	000	16ms	001	16ms
IREF7-0	Maximum gain at recovery operation	C5H	19.5dB	C5H	19.5dB
IVOL7-0	Gain of IVOL	C5H	19.5dB	C5H	19.5dB
LMAT1-0	Limiter ATT step	00	1step	00	1step
LFST	Fast Limiter Operation	1	ON	1	ON
RGAIN1-0	Recovery GAIN step	00	1 step	00	1 step
ALC1	ALC enable	1	Enable	1	Enable
FRSL1-0	Speed of Fast Recovery	00	4 times	00	4times

Table 34. Example of the ALC Setting (Recording)

5. Example of ALC for Playback Operation

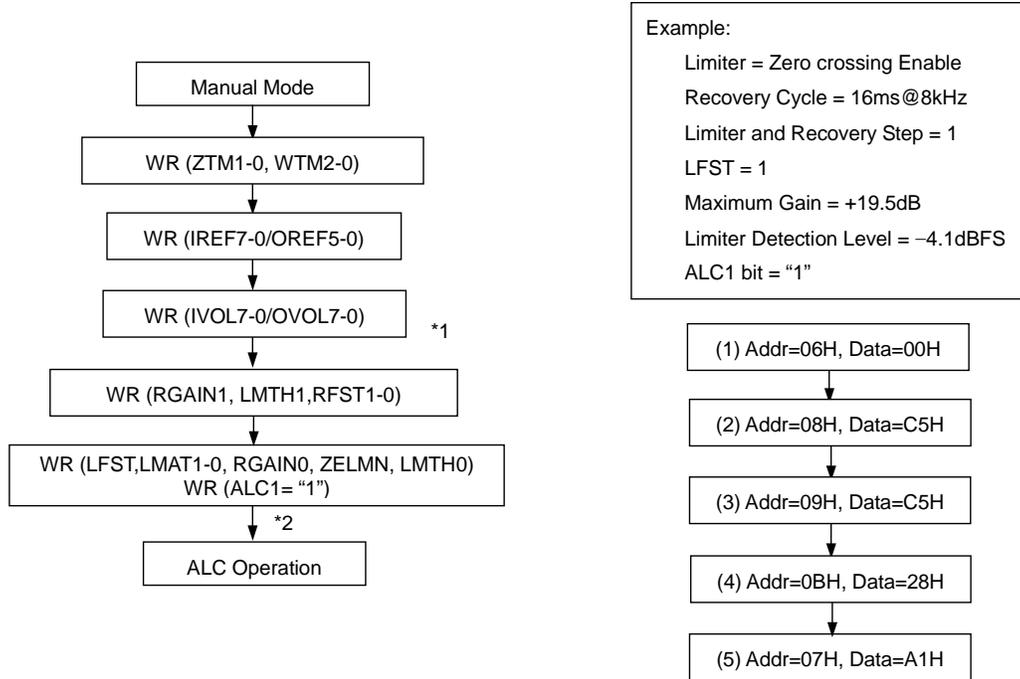
Table 35 shows the example of the ALC setting for playback.

Register Name	Comment	fs=8kHz		fs=16kHz	
		Data	Operation	Data	Operation
LMTH1-0	Limiter detection Level	01	-4.1dBFS	01	-4.1dBFS
ZELM	Limiter zero crossing detection	0	Enable	0	Enable
ZTM1-0	Zero crossing timeout period	00	16ms	01	16ms
WTM2-0	Recovery waiting period *WTM1-0 bits should be more than or equal to ZTM1-0 bits	000	16ms	001	16ms
OREF5-0	Maximum gain at recovery operation	28	+6dB	28	+6dB
OVOL7-0	Gain of IVOL	91	0dB	91	0dB
LFST	Fast Limiter Operation	1	ON	1	ON
LMAT1-0	Limiter ATT step	00	1step	00	1step
RGAIN1-0	Recovery GAIN step	00	1 step	00	1 step
ALC2	ALC enable	1	Enable	1	Enable
FRSL1-0	Speed of Fast Recovery	00	4 times	00	4 times

Table 35. Examples of the ALC Setting (Play back)

The following registers must not be changed during the ALC operation. These bits should be changed, after the ALC operation is finished by ALC1 bit = ALC2 bit = "0" or PMPFIL bit = "0". After ALC1 bit and ALC2 bit set to "0" or PMPFIL bit sets to "0", when ALC is restarted, the waiting time of zero crossing timeout is not needed.

LMTH1-0, LMAT1-0, WTM2-0, ZTM1-0, RGAIN1-0, IREF7-0/OREF7-0, ZELM, RFST1-0, LFST



Note : WR : Write

*1: The value of volume at starting should be the same or smaller than REF's.

*2: When setting ALC1 bit or ALC2 bit to "0", the operation is shifted to manual mode after passing the zero crossing time set by ZTM1-0 bits.

Figure 43. Registers set-up sequence at the ALC operation

■ SOFTMUTE

Soft mute operation is performed in the digital input domain. When the SMUTE bit changes to “1”, the input signal is attenuated by $-\infty$ (“0”) during the cycle of $245/f_s$ (31msec@ $f_s=8$ kHz). When the SMUTE bit is returned to “0”, the mute is cancelled and the input attenuation gradually changes to 0dB during the cycle of $245/f_s$ (31msec@ $f_s=8$ kHz). If the soft mute is cancelled within the cycle of $245/f_s$ (31msec@ $f_s=8$ kHz), the attenuation is discontinued and returned to 0dB. The soft mute for Playback operation is effective for changing the signal source without stopping the signal transmission.

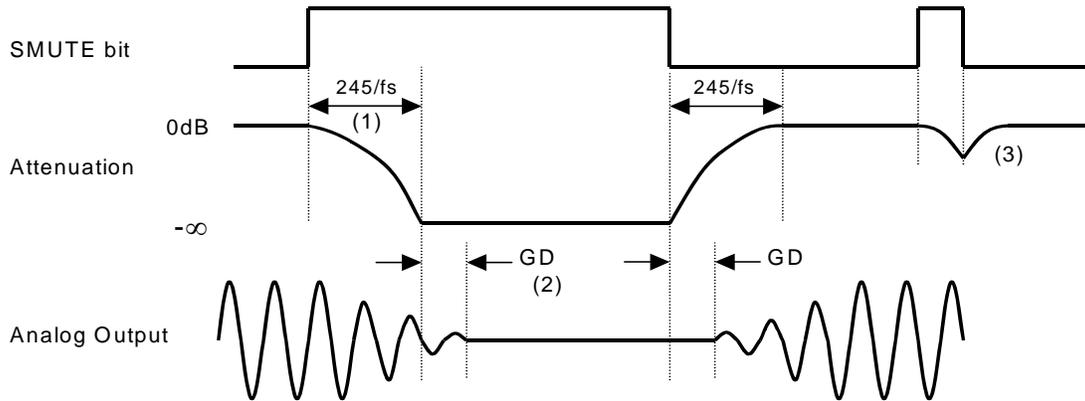


Figure 44. Soft Mute Function

- (1) The input signal is attenuated by $-\infty$ (“0”) during the cycle of $245/f_s$ (31msec@ $f_s=8$ kHz).
- (2) Analog output corresponding to digital input has the group delay (GD).
- (3) If the soft mute is cancelled within the cycle of $245/f_s$ (31msec@ $f_s=8$ kHz), the attenuation is discontinued and returned to 0dB within the same cycle.

■ MONO LINE OUTPUT (AOUT pin)

A signal of DAC is output from the AOUT pin. When the DACA bit is “0”, this output is OFF. When the LOVL bit is “1”, this gain changes to +2dB. The load resistance is 10kΩ(min). When PMAO bit is “0” and AOPSN bit is “0”, the mono line output enters power-down and is pulled down by 100Ω(typ). If PMAO bit is controlled at AOPS bit = “1”, POP noise will be reduced at power-up and down. Then, this line should be pulled down by 20kΩ of resistor after C-coupling shown in Figure 45. This rising and falling time is max 300 ms at C = 1.0μF . When PMAO bit is “1” and AOPS bit is “0”, the mono line output enters power-up state.

LOVL bits	Gain	(default)
0	0dB	
1	+2dB	

Table 36. Mono line output volume setting

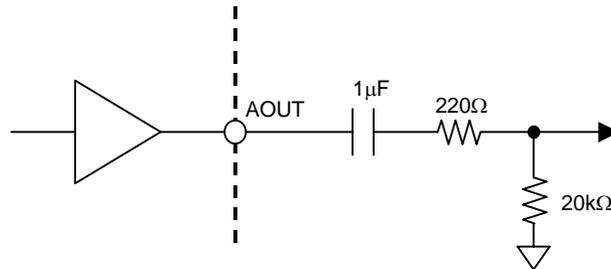


Figure 45. AOUT external circuit when using POP Reduction function

AOUT Control Sequence in case of using POP Reduction Circuit

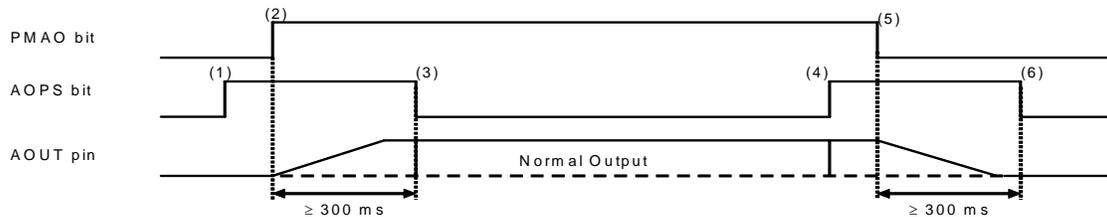


Figure 46. Mono Line Output Control Sequence when using POP Reduction function

- (1) Set AOPS bit = “1”. Mono line output enters the power-save mode.
- (2) Set PMAO bit = “1”. Mono line output exits the power-down mode.
AOUT pin rises up to VCOM voltage. Rise time is 200ms (max 300ms) at C=1μF.
- (3) Set AOPS bit = “0” after AOUT pin rises up. Mono line output exits the power-save mode.
Mono line output is enabled.
- (4) Set AOPS bit = “1”. Mono line output enters power-save mode.
- (5) Set PMAO bit = “1”. Mono line output enters power-down mode.
AOUT pin falls down to VSS1. Fall time is 200ms (max 300ms) at C=1μF.
- (6) Set AOPS bit = “0” after AOUT pin falls down. Mono line output exits the power-save mode.

■ Speaker Output

AK4635 has a Mono Class-D Speaker-Amp. Power supply for Speaker-Amp(SVDD) can be set from 2.2V up to 4.0V.

The Speaker is mono and BTL output, and can drive dynamic speaker and piezo speaker without LPF (filter-less). This speaker can output 400W@8Ω at SVDD = 3.3V, SPKG bit = “0”. This gain is set by SPKG bit (Table 37). The output level of speaker amp is depended on voltage of SVDD and SPKG bit.

SPKG bit	Gain
0	0dB
1	+2dB (Note 39)

Note 39. The signals more than -2dBFS clip.

Table 37. SPK- Amp Gain

The power up/down speaker amp is controlled by PMSPK bit. When PMSPK bit is “0”, the SPP and SPN pins output VSS3 level. Also ON/OFF of speaker amp is controlled by SPOUTE bit. When SPOUTE bit is “0”, the SPP and SPN pins are in VSS3-state forcibly. When the outputting from DAC to speaker, PMDAC bit should be set to “1”.

Follow the following sequence.

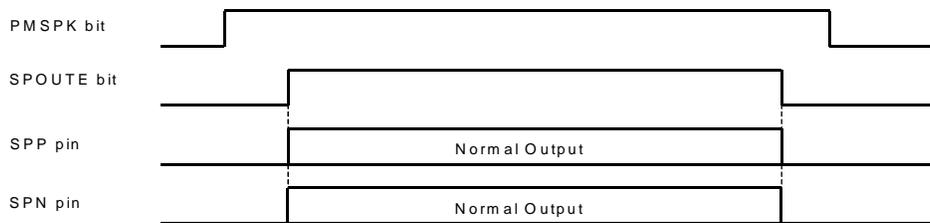


Figure 47. Power-up/Power-down Timing for Speaker-Amp

<Caution for using Piezo Speaker>

When a piezo speaker is used, resistances more than 10Ω should be connected between the SPP/SPN pins and speaker in series, respectively, as shown in Figure 48. Zener diodes should be connected between speaker and GND as shown in Figure 48, in order to protect SPK-Amp of the AK4635 from the power that is the piezo speaker output when the speaker is pressured. Zener diodes of the following Zener voltage should be used.

$$92\% \text{ of SVDD} \leq \text{Zener voltage of Zener diode(ZD of Figure 48)} \leq \text{SVDD} + 0.3\text{V}$$

$$\text{Ex) In case of SVDD} = 3.8\text{V} : 3.5\text{V} \leq \text{ZD} \leq 4.1\text{V}$$

For example, Zener diode which Zener voltage is 3.9V (Min 3.7V, Max 4.1V) can be used.

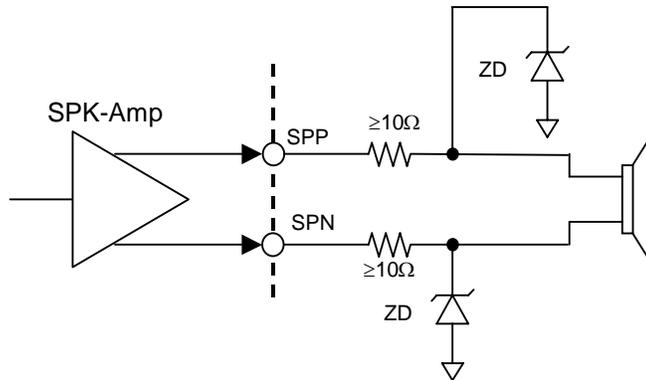


Figure 48. Circuit of Speaker Output (using a piezo speaker)

■ BEEP Generate

The AK4635 generates and output square wave from speaker amp. After outputting the signal during the time set by BPON6-0 bits, the AK4635 stops the output signal during the time set by BPOFF6-0 bits (Figure 50). The repeat count is set by BPTM6-0 bit, and the output level is set by BPLVL2-0 bits. When BPCNT bit is “0”, if BPOUT bit is written “1”, the AK4635 outputs the beep for the times of repeat count. When the output finish, BPOUT bit is set to “0” automatically. When BPCNT bit is set to “1”, it outputs the beep in succession regardless of repeat count, on-time and off-time.

< Setting parameter >

- 1) Output Frequency (Table 38 ~ Table 40)
- 2) ON Time (Table 41)
- 3) OFF Time (Table 42)
- 4) Repeat Count (Table 43)
- 5) Output Level (Table 44)

BPFR1-0, BPON7-0, BPOFF7-0, BPTM6-0 and BPLVL3-0 bits should be set when BPOUT =BPCNT = “0”.

BPCNT bit is given priority in BPOUT bit. When BPOUT bit be set to “1”, if BPCNT bit is set to “0”, BPOUT bit is set to “0” forcibly.

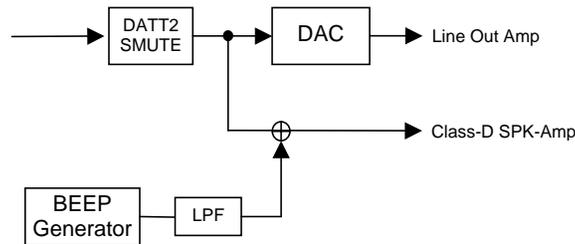


Figure 49. BEEP signal output path

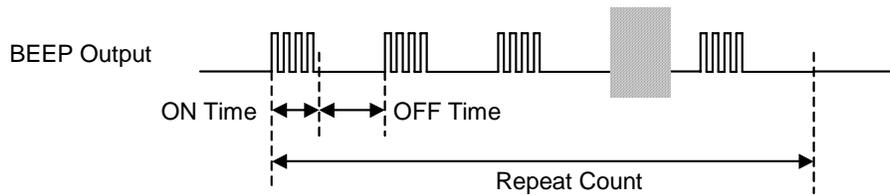


Figure 50. Beep output

BPFR1-0 bit	Output frequency of BEEP Generator [Hz]	
	fs = 48kHz system (Note 40)	fs = 44.1kHz system (Note 41)
00	4000	4009
01	2000	2005
10	1000	1002
11	N/A	

(default)

Note 40. Sampling frequency is 8kHz, 16kHz, 32kHz or 48kHz.

Note 41. Sampling frequency is 11.025kHz, 22.05kHz or 44.1kHz.

Table 38. Beep signal frequency (PLL Master/Slave Mode: reference clock: MCKI) (N/A: Not available)

BPFR1-0 bit	Output frequency of BEEP Generator [Hz]		
	FS3-2 bits = "00"	FS3-2 bits = "01"	FS3-2 bits = "10"
00	fs/2.75	fs/5.5	fs/11
01	fs/5.5	fs/11	fs/22
10	fs/11	fs/22	fs/44
11	N/A		

(default)

Table 39. Beep signal frequency (PLL Slave Mode: reference clock : FCK/BICK) (N/A: Not available)

BPFR1-0 bit	Output frequency of BEEP Generator [Hz]			
	FS1-0 bits = "00"	FS1-0 bits = "01"	FS1-0 bits = "10"	FS1-0 bits = "11"
00	fs/11	fs/2.75	fs/55	fs/11
01	fs/22	fs/5.5	fs/11	fs/22
10	fs/44	fs/11	fs/22	fs/44
11	N/A			

(default)

Table 40. Beep signal frequency (EXT Slave/Master Mode) (N/A: Not available)

BPON7-0 bit	ON Time of BEEP Generator [msec]		Step [msec]	
	fs = 48kHz system (Note 40)	fs = 44.1kHz system (Note 41)	fs = 48kHz system (Note 40)	fs = 44.1kHz system (Note 41)
0H	8.0	7.98	8.0	7.98
1H	16.0	15.86		
2H	24.0	23.95		
3H	32.0	31.93		
4H	40.0	39.9		
:	:	:		
FDH	2032	2027.3		
FEH	2040	2035.3		
FFH	2048	2043.4		

(default)

Note 40. Sampling frequency is 8kHz, 16kHz, 32kHz or 48kHz.

Note 41. Sampling frequency is 11.025kHz, 22.05kHz or 44.1kHz.

Table 41. Beep output ON-time (PLL Master/Slave Mode reference clock: MCKI)

BPOFF7-0 bit	OFF Time of BEEP Generator [msec]		Step [msec]		
	fs = 48kHz system (Note 40)	fs = 44.1kHz system (Note 41)	fs = 48kHz system (Note 40)	fs = 44.1kHz system (Note 41)	
0H	8.0	7.98	8.0	7.98	(default)
1H	16.0	15.86			
2H	24.0	23.95			
3H	32.0	31.93			
4H	40.0	39.9			
:	:				
FDH	2032	2027.3			
FEH	2040	2035.3			
FFH	2048	2043.4			

Note 40. Sampling frequency is 8kHz, 16kHz, 32kHz or 48kHz.

Note 41. Sampling frequency is 11.025kHz, 22.05kHz or 44.1kHz.

Table 42. Beep output OFF-time (PLL Master/Slave Mode reference clock: MCKI)

BPTM6-0 bit	Repeat Count	
0H	1	(default)
1H	2	
2H	3	
3H	:	
:	125	
7DH	126	
7EH	127	
7FH	128	

Table 43. Beep output Repeat Count

BPLVL3-0 bit	.Beep Output Level	STEP	
0H	0dB	3dB	(default)
1H	-3dB		
2H	-6dB		
3H	-9dB		
4H	-12dB		
5H	-18dB	6dB	
6H	-24dB		
7H	-30dB		

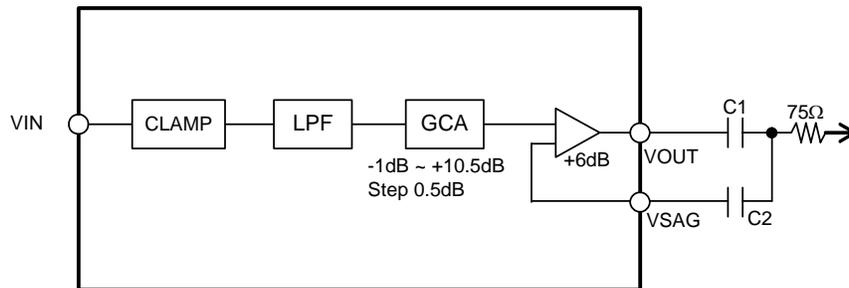
Note 42. Power supply is 3.3V

Note 43. Beep output amplitude as 0dB setting is 4.4Vpp@ load resistance = 8Ω + 10μH, SVDD=3.3V

Table 44. Beep output level

■ Video Block

Video-Amp has a drivability for a load resistance of 150Ω. The AK4635 has a composite input and output. A Low Pass Filter (LPF) and Gain Control Amp (GCA) are integrated and both DC output and Sag Compensation circuit are supported as shown in Figure 51 and Figure 52. The capacitance for Sag Compensation circuit is 100μF+4.7μF or 47μF+4.7μF. When DC output is used, the VOUT pin and the VSAG pin must be shorted. The output clamp voltage is 50 mV(typ) at DC output. SAGC bit should be set as shown in Table 45. VSAG2-0 bits should be set as shown in Table 46 at SAGC bit = "1". The gain can be set by VGCA4-0 bits. PMV bit controls the power up and down of the video block. The VOUT pin outputs VSS1 level at PMV bit = "0".



(C1=100μ F, C2=4.7μ F) or (C1=47μ F, C2=4.7μ F)

Figure 51 Video block (using Sag Compensation circuit)

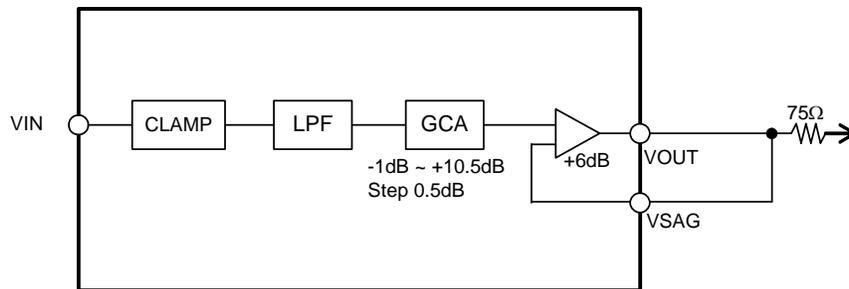


Figure 52. Video block (at DC Output)

SAGC bit	Output Method
0	DC Output
1	Sag Compensation circuit

(default)

Table 45. Output method setting

VSAG2 bit	VSAG1 bit	VSAG0 bit	External capacitance
0	1	1	C1 = 100 μ F, C2 = 4.7 μ F
1	0	1	C1 = 47 μ F, C2 = 4.7 μ F
Others			N/A

(default)

Table 46. Sag Compensation circuit setting (SAGC bit = "1") (N/A: Not available)

VGCA4-0 bits	GAIN(dB)	STEP
17H	+10.5dB	0.5dB
16H	+10.0dB	
15H	+9.5dB	
:	:	
04H	+1.0dB	
03H	+0.5dB	
02H	0.0dB	
01H	-0.5dB	
00H	-1.0dB	

(default)

Table 47. Video signal gain setting

Serial Control Interface

(1) 3-wire Serial Control Mode (I2C pin = "L")

Internal registers may be written and read by using the 3-wire μ P interface pins (CSN, CCLK and CDTIO). The data on this interface consists of Read/Write, Register address (MSB first, 7bits) and Control data (MSB first, 8bits). Address and data is clocked in on the rising edge of CCLK and data is clocked out on the falling edge. Data writing is valid on the rising edge of the 16th CCLK after the falling edge of CSN. CSN should be set to "H" every after a data writing for each address. In reading operation, the CDTIO pin changes to output mode at the falling edge of 8th CCLK and outputs D7-D0. The output finishes on the rising edge of CSN. However this reading function is available only at READ bit = "1". When READ bit = "0", the CDTIO pin stays as Hi-Z even after the falling edge of 8th CCLK. The CDTIO pin is placed in a Hi-Z state except outputting data at read operation mode. The clock speed of CCLK is 5MHz (max). The value of internal registers is initialized at the PDN pin = "L".

Note 44. It is available for reading the address 00H ~ 11H, 20H ~ 24H and 30H. When reading the address 12H ~ 1FH, 25H ~ 2F and 31H ~ 4FH, the register values are invalid.

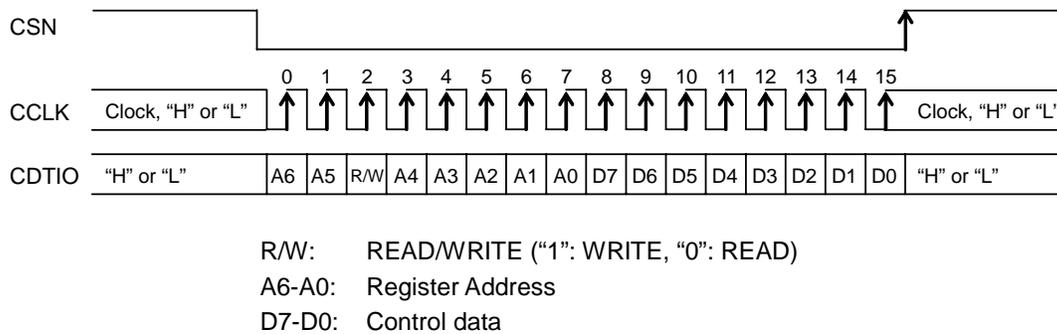


Figure 53. Serial Control I/F Timing

(2) I²C-bus Control Mode (I2C pin = “H”)

The AK4635 supports the fast-mode I²C-bus (max: 400kHz). Pull-up resistors at SDA and SCL pins should be connected to (DVDD+0.3)V or less voltage.

(2)-1. WRITE Operations

Figure 54 shows the data transfer sequence for the I²C-bus mode. All commands are preceded by a START condition. A HIGH to LOW transition on the SDA line while SCL is HIGH indicates a START condition (Figure 60). After the START condition, a slave address is sent. This address is 7 bits long followed by the eighth bit that is a data direction bit (R/W). The most significant seven bits of the slave address are fixed as “0010010” (Figure 55). If the slave address matches that of the AK4635, the AK4635 generates an acknowledge and the operation is executed. The master must generate the acknowledge-related clock pulse and release the SDA line (HIGH) during the acknowledge clock pulse (Figure 61). A R/W bit value of “1” indicates that the read operation is to be executed. A “0” indicates that the write operation is to be executed.

The second byte consists of the control register address of the AK4635. The format is MSB first, and those most significant 1-bits are fixed to zeros (Figure 56). The data after the second byte contains control data. The format is MSB first, 8bits (Figure 57). The AK4635 generates an acknowledge after each byte is received. A data transfer is always terminated by a STOP condition generated by the master. A LOW to HIGH transition on the SDA line while SCL is HIGH defines a STOP condition (Figure 60).

The AK4635 can perform more than one byte write operation per sequence. After receipt of the third byte the AK4635 generates an acknowledge and awaits the next data. The master can transmit more than one byte instead of terminating the write cycle after the first data byte is transferred. After receiving each data packet the internal 6-bit address counter is incremented by one, and the next data is automatically taken into the next address. If the address exceeds 4FH prior to generating a stop condition, the address counter will “roll over” to 00H and the previous data will be overwritten.

The data on the SDA line must remain stable during the HIGH period of the clock. The HIGH or LOW state of the data line can only change when the clock signal on the SCL line is LOW (Figure 62) except for the START and STOP conditions.

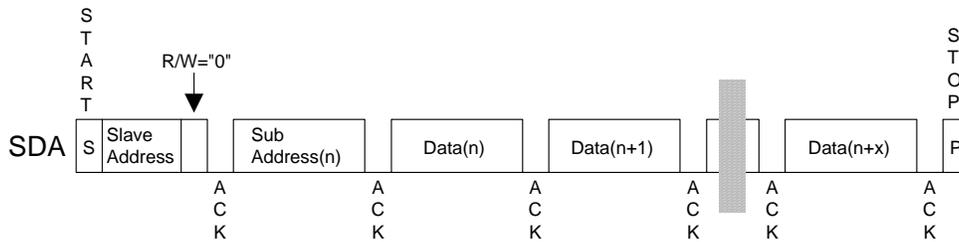


Figure 54. Data Transfer Sequence at the I²C-Bus Mode

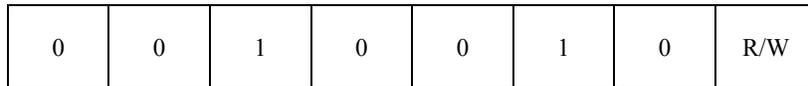


Figure 55. The First Byte



Figure 56. The Second Byte

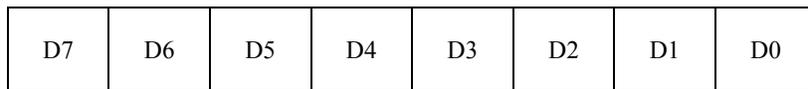


Figure 57. Byte Structure after the second byte

(2)-2. READ Operations

Set the R/W bit = "1" for READ operation of the AK4635. After transmission of data, the master can read the next address's data by generating an acknowledge instead of terminating the write cycle after the receipt of the first data word. After receiving each data packet the internal 6-bit address counter is incremented by one, and the next data is automatically taken into the next address. If the address exceeds 4FH prior to generating a stop condition, the address counter will "roll over" to 00H and the data of 00H will be read out.

Note 44. It is available for reading the address 00H ~ 11H, 20H ~ 24H and 30H. When reading the address 12H ~ 1FH, 25H ~ 2F and 31H ~ 4FH, the register values are invalid.

The AK4635 supports two basic read operations: CURRENT ADDRESS READ and RANDOM ADDRESS READ.

(2)-2-1. CURRENT ADDRESS READ

The AK4635 contains an internal address counter that maintains the address of the last word accessed, incremented by one. Therefore, if the last access (either a read or write) were to address n, the next CURRENT READ operation would access data from the address n+1. After receipt of the slave address with R/W bit "1", the AK4635 generates an acknowledge, transmits 1-byte of data to the address set by the internal address counter and increments the internal address counter by 1. If the master does not generate an acknowledge but instead generates a stop condition, the AK4635 ceases transmission.

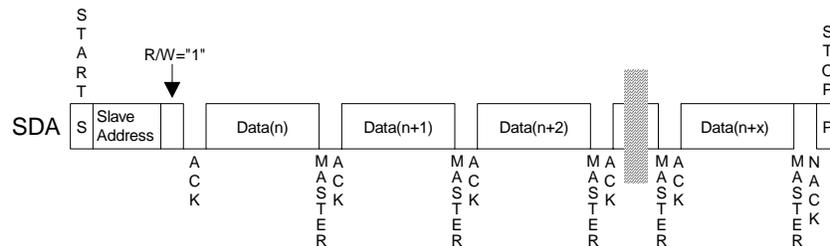


Figure 58. CURRENT ADDRESS READ

(2)-2-2. RANDOM ADDRESS READ

The random read operation allows the master to access any memory location at random. Prior to issuing the slave address with the R/W bit "1", the master must first perform a "dummy" write operation. The master issues a start request, a slave address (R/W bit = "0") and then the register address to read. After the register address is acknowledged, the master immediately reissues the start request and the slave address with the R/W bit set to "1". The AK4635 then generates an acknowledge, 1 byte of data and increments the internal address counter by 1. If the master does not generate an acknowledge but instead generates a stop condition, the AK4635 ceases transmission.

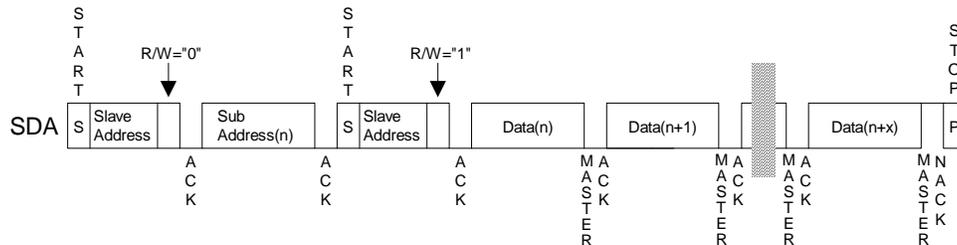


Figure 59. RANDOM ADDRESS READ

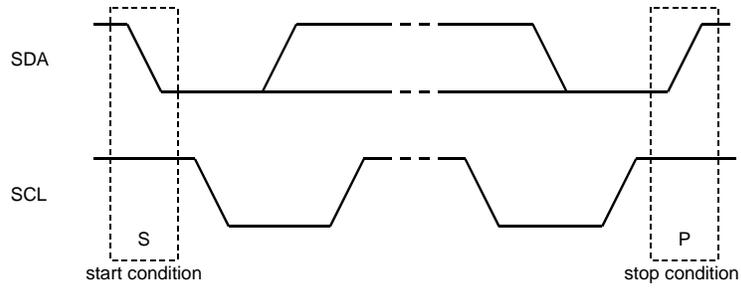


Figure 60. START and STOP Conditions

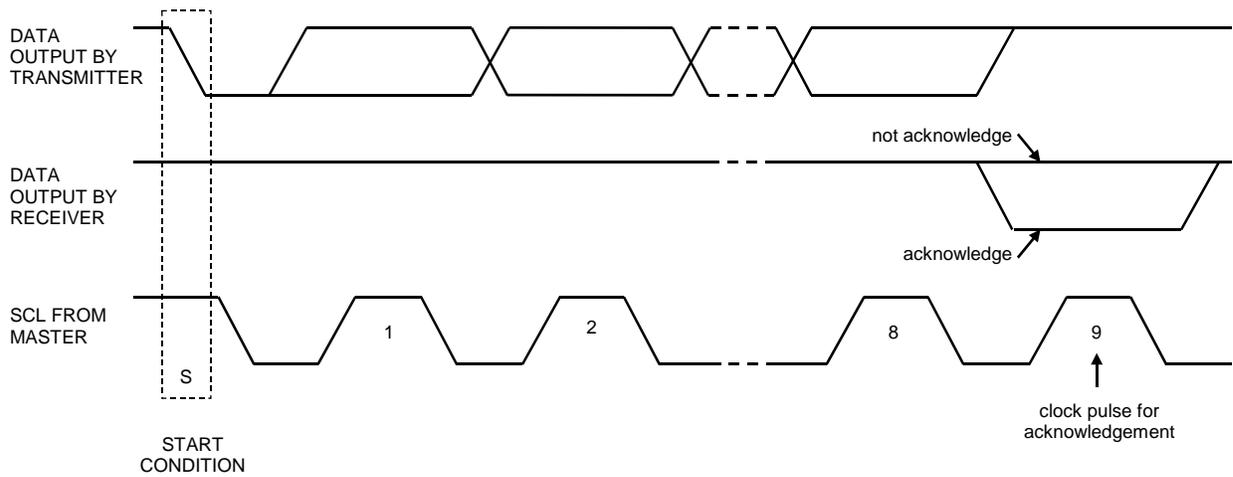


Figure 61. Acknowledge on the I²C-Bus

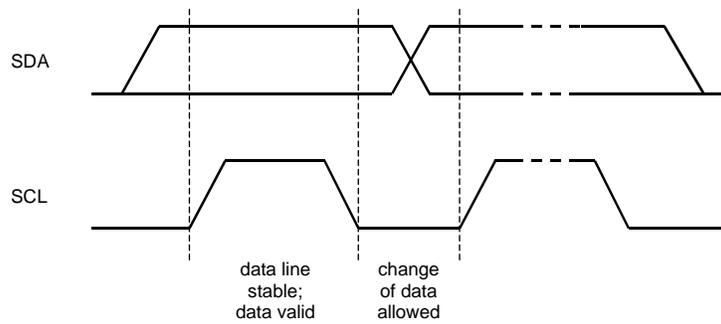


Figure 62. Bit Transfer on the I²C-Bus

Register Map

Addr	Register Name	D7	D6	D5	D4	D3	D2	D1	D0
00H	Power Management 1	PMPFIL	PMVCM	0	PMSPK	PMAO	PMDAC	0	PMADC
01H	Power Management 2	PMV	0	0	0	M/S	0	MCKO	PMPLL
02H	Signal Select 1	SPOUTE	0	DACS	DACA	MGAIN3	PMMP	MGAIN2	MGAIN0
03H	Signal Select 2	PFSDO	AOPS	MGAIN1	0	SPKG	0	PFDAC	ADCPF
04H	Mode Control 1	PLL3	PLL2	PLL1	PLL0	BCKO1	BCKO0	DIF1	DIF0
05H	Mode Control 2	ADRST	FCKO	FS3	MSBS	BCKP	FS2	FS1	FS0
06H	Timer Select	0	WTM2	ZTM1	ZTM0	WTM1	WTM0	RFST1	RFST0
07H	ALC Mode Control 1	LFST	ALC2	ALC1	ZELMN	LMAT1	LMAT0	RGAIN0	LMTH0
08H	ALC Mode Control 2	IREF7	IREF6	IREF5	IREF4	IREF3	IREF2	IREF1	IREF0
09H	Digital Volume Control	IVOL7	IVOL6	IVOL5	IVOL4	IVOL3	IVOL2	IVOL1	IVOL0
0AH	Digital Volume Control	OVOL7	OVOL6	OVOL5	OVOL4	OVOL3	OVOL2	OVOL1	OVOL0
0BH	ALC Mode Control 3	RGAIN1	LMTH1	OREF5	OREF4	OREF3	OREF2	OREF1	OREF0
0CH	Video Mode Control	0	0	SAGC	VGCA4	VGCA3	VGCA2	VGCA1	VGCA0
0DH	ALC LEVEL	VOL7	VOL6	VOL5	VOL4	VOL3	VOL2	VOL1	VOL0
0EH	Signal Select 3	DATT1	DATT0	SMUTE	MDIF	VSAG2	VSAG1	VSAG0	READ
0FH	Thermal Shutdown	THDET	0	0	0	0	0	0	0
10H	Signal Select 4	0	LOVL	0	0	0	0	LIN	0
11H	Digital Filter Select 1	0	0	LPF	HPF	0	0	0	HPFAD
12H	Reserved	0	0	0	0	0	0	0	0
13H	Reserved	0	0	0	0	0	0	0	0
14H	Reserved	0	0	0	0	0	0	0	0
15H	Reserved	0	0	0	0	0	0	0	0
16H	Reserved	0	0	0	0	0	0	0	0
17H	Reserved	0	0	0	0	0	0	0	0
18H	Reserved	0	0	0	0	0	0	0	0
19H	Reserved	0	0	0	0	0	0	0	0
1AH	Reserved	0	0	0	0	0	0	0	0
1BH	Reserved	0	0	0	0	0	0	0	0
1CH	HPF Co-efficient 0	F1A7	F1A6	F1A5	F1A4	F1A3	F1A2	F1A1	F1A0
1DH	HPF Co-efficient 1	0	0	F1A13	F1A12	F1A11	F1A10	F1A9	F1A8
1EH	HPF Co-efficient 2	F1B7	F1B6	F1B5	F1B4	F1B3	F1B2	F1B1	F1B0
1FH	HPF Co-efficient 3	0	0	F1B13	F1B12	F1B11	F1B10	F1B9	F1B8
20H	BEEP Frequency	BPCNT	0	0	0	0	0	BPFR1	BPFR0
21H	BEEP ON Time	BPON7	BPON6	BPON5	BPON4	BPON3	BPON2	BPON1	BPON0
22H	BEEP OFF Time	BPOFF7	BPOFF6	BPOFF5	BPOFF4	BPOFF3	BPOFF2	BPOFF1	BPOFF0
23H	BEEP Repeat Count	0	BPTM6	BPTM5	BPTM4	BPTM3	BPTM2	BPTM1	BPTM0
24H	BEEP VOL/Control	BPOUT	0	0	0	0	BPLVL2	BPLVL1	BPLVL0
25H	Reserved	0	0	0	0	0	0	0	0
26H	Reserved	0	0	0	0	0	0	0	0
27H	Reserved	0	0	0	0	0	0	0	0
28H	Reserved	0	0	0	0	0	0	0	0
29H	Reserved	0	0	0	0	0	0	0	0
2AH	Reserved	0	0	0	0	0	0	0	0
2BH	Reserved	0	0	0	0	0	0	0	0
2CH	LPF Co-efficient 0	F2A7	F2A6	F2A5	F2A4	F2A3	F2A2	F2A1	F2A0
2DH	LPF Co-efficient 1	0	0	F2A13	F2A12	F2A11	F2A10	F2A9	F2A8
2EH	LPF Co-efficient 2	F2B7	F2B6	F2B5	F2B4	F2B3	F2B2	F2B1	F2B0
2FH	LPF Co-efficient 3	0	0	F2B13	F2B12	F2B11	F2B10	F2B9	F2B8

Addr	Register Name	D7	D6	D5	D4	D3	D2	D1	D0
30H	Digital Filter Select 2	0	0	0	EQ5	EQ4	EQ3	EQ2	EQ1
31H	Reserved	0	0	0	0	0	0	0	0
32H	E1 Co-efficient 0	E1A7	E1A6	E1A5	E1A4	E1A3	E1A2	E1A1	E1A0
33H	E1 Co-efficient 1	E1A15	E1A14	E1A13	E1A12	E1A11	E1A10	E1A9	E1A8
34H	E1 Co-efficient 2	E1B7	E1B6	E1B5	E1B4	E1B3	E1B2	E1B1	E1B0
35H	E1 Co-efficient 3	E1B15	E1B14	E1B13	E1B12	E1B11	E1B10	E1B9	E1B8
36H	E1 Co-efficient 4	E1C7	E1C6	E1C5	E1C4	E1C3	E1C2	E1C1	E1C0
37H	E1 Co-efficient 5	E1C15	E1C14	E1C13	E1C12	E1C11	E1C10	E1C9	E1C8
38H	E2 Co-efficient 0	E2A7	E2A6	E2A5	E2A4	E2A3	E2A2	E2A1	E2A0
39H	E2 Co-efficient 1	E2A15	E2A14	E2A13	E2A12	E2A11	E2A10	E2A9	E2A8
3AH	E2 Co-efficient 2	E2B7	E2B6	E2B5	E2B4	E2B3	E2B2	E2B1	E2B0
3BH	E2 Co-efficient 3	E2B15	E2B14	E2B13	E2B12	E2B11	E2B10	E2B9	E2B8
3CH	E2 Co-efficient 4	E2C7	E2C6	E2C5	E2C4	E2C3	E2C2	E2C1	E2C0
3DH	E2 Co-efficient 5	E2C15	E2C14	E2C13	E2C12	E2C11	E2C10	E2C9	E2C8
3EH	E3 Co-efficient 0	E3A7	E3A6	E3A5	E3A4	E3A3	E3A2	E3A1	E3A0
3FH	E3 Co-efficient 1	E3A15	E3A14	E3A13	E3A12	E3A11	E3A10	E3A9	E3A8
40H	E3 Co-efficient 2	E3B7	E3B6	E3B5	E3B4	E3B3	E3B2	E3B1	E3B0
41H	E3 Co-efficient 3	E3B15	E3B14	E3B13	E3B12	E3B11	E3B10	E3B9	E3B8
42H	E3 Co-efficient 4	E3C7	E3C6	E3C5	E3C4	E3C3	E3C2	E3C1	E3C0
43H	E3 Co-efficient 5	E3C15	E3C14	E3C13	E3C12	E3C11	E3C10	E3C9	E3C8
44H	E4 Co-efficient 0	E4A7	E4A6	E4A5	E4A4	E4A3	E4A2	E4A1	E4A0
45H	E4 Co-efficient 1	E4A15	E4A14	E4A13	E4A12	E4A11	E4A10	E4A9	E4A8
46H	E4 Co-efficient 2	E4B7	E4B6	E4B5	E4B4	E4B3	E4B2	E4B1	E4B0
47H	E4 Co-efficient 3	E4B15	E4B14	E4B13	E4B12	E4B11	E4B10	E4B9	E4B8
48H	E4 Co-efficient 4	E4C7	E4C6	E4C5	E4C4	E4C3	E4C2	E4C1	E4C0
49H	E4 Co-efficient 5	E4C15	E4C14	E4C13	E4C12	E4C11	E4C10	E4C9	E4C8
4AH	E5 Co-efficient 0	E5A7	E5A6	E5A5	E5A4	E5A3	E5A2	E5A1	E5A0
4BH	E5 Co-efficient 1	E5A15	E5A14	E5A13	E5A12	E5A11	E5A10	E5A9	E5A8
4CH	E5 Co-efficient 2	E5B7	E5B6	E5B5	E5B4	E5B3	E5B2	E5B1	E5B0
4DH	E5 Co-efficient 3	E5B15	E5B14	E5B13	E5B12	E5B11	E5B10	E5B9	E5B8
4EH	E5 Co-efficient 4	E5C7	E5C6	E5C5	E5C4	E5C3	E5C2	E5C1	E5C0
4FH	E5 Co-efficient 5	E5C15	E5C14	E5C13	E5C12	E5C11	E5C10	E5C9	E5C8

The PDN pin = "L" resets the registers to their default values.

Note 45. Unused bits must contain a "0" value.

Note 46. Reading of address 12H ~ 1FH, 25H ~ 2FH and 31H ~ 4FH are not possible.

Note 47. 0FH and 0DH are for address read only. However, 0DH address cannot be read at I²C –bus control mode.

Writing access to 0DH and 0FH does not effect the operation.

■ Register Definitions

Addr	Register Name	D7	D6	D5	D4	D3	D2	D1	D0
00H	Power Management 1	PMPFIL	PMVCM	0	PMSPK	PMAO	PMDAC	0	PMADC
	R/W	R/W	R/W	R	R/W	R/W	R/W	R	R/W
	Default	0	0	0	0	0	0	0	0

PMADC: ADC Block Power Control

0: Power down (default)

1: Power up

When the PMADC bit changes from “0” to “1”, the initialization cycle ($1059/f_s=133\text{ms}@8\text{kHz}$) starts. After initializing, digital data of the ADC is output.

PMDAC: DAC Block Power Control

0: Power down (default)

1: Power up

PMAO: Mono Line Out Power Control

0: Power down (default)

1: Power up

PMSPK: Speaker Block Power Control

0: Power down (default)

1: Power up

PMVCM: VCOM Block Power Control

0: Power down (default)

1: Power up

PMPFIL: Programmable Filter Block (HPF/ LPF/ 5-Band EQ/ ALC) Power Control

0: Power down (default)

1: Power up

Each block can be powered-down respectively by writing “0” to each bit. When the PDN pin is “L”, all blocks are powered-down.

When PMPLL and MCKO bits and all bits in 00H address are “0”, all blocks are powered-down.

When any of the blocks are powered-up, the PMVCM bit must be set to “1”. When PMPLL and MCKO bits and all bits in 00H address are “0”, PMVCM bit can be “0”.

When any block of ADC, DAC, SPK, or Programmable digital filter is powered-up (PMADC bit = “1” or PMDAC bit = “1” or PMSPK bit = “1” or PMPFIL bit = “1”), the clocks must always be present.

Addr	Register Name	D7	D6	D5	D4	D3	D2	D1	D0
01H	Power Management 2	PMV	0	0	0	M/S	0	MCKO	PMPLL
	R/W	R/W	R	R	R	R/W	R	R/W	R/W
	Default	0	0	0	0	0	0	0	0

PMPLL: PLL Block Power Control Select

- 0: PLL is Power down and External is selected. (default)
- 1: PLL is Power up and PLL Mode is selected.

MCKO: Master Clock Output Enable

- 0: "L" Output (default)
- 1: 256fs Output

M/S: Select Master/ Slave Mode

- 0: Slave Mode (default)
- 1: Master Mode

PMV: Video Block Power Control

- 0: Power down (default)
- 1: Power up

Addr	Register Name	D7	D6	D5	D4	D3	D2	D1	D0
02H	Signal Select 1	SPOUTE	0	DACS	DACA	MGAIN3	PMMP	MGAIN2	MGAIN0
	R/W	R/W	R	R/W	R/W	R/W	R/W	R/W	R/W
	Default	0	0	0	0	0	0	0	1

MGAIN3-2: MIC-amp Gain control ([Table 20](#))

MGAIN1 bit is located at D5 bit of 03H. Default: "0001" (+20.0dB)

PMMP: MPI pin Power Control

- 0: Power down (default)
 - 1: Power up
- When PMADC bit is "1", PMMP bit is enabled.

DACA: Switch Control from DAC to mono line amp

- 0: OFF (default)
 - 1: ON
- When PMAO bit is "1", DACA bit is enabled. When PMAO bit is "0", the AOUT pin goes VSS1.

DACS: Switch Control from DAC to Speaker-Amp

- 0: OFF (default)
 - 1: ON
- When DACS bit is "1", DAC output signal is input to Speaker-Amp.

SPOUTE: Speaker output signal Enable

- 0: Disable (default)
 - 1: Enable
- When SPOUTE bit is "0", the SPP and SPN pins output VSS3.
When SPOUTE bit is "1", the SPP and SPN pins output signal.

Addr	Register Name	D7	D6	D5	D4	D3	D2	D1	D0
03H	Signal Select 2	PFSDO	AOPS	MGAIN1	0	SPKG	0	PFDAC	ADCPF
	R/W	R/W	R/W	R/W	R	R/W	R	R/W	R/W
	Default	1	0	0	0	0	0	0	1

ADCPF: Select of Input signal to Programmable Filter/ALC.

0: SDTI

1: Output of ADC (default)

PFDAC: Select of Input signal to DAC.

0: SDTI (default)

1: Output of Programmable Filter/ALC

SPKG: Select Speaker-Amp Output Gain

0: 0dB (default)

1: +2dB

MGAIN1: Mic-Amplifier Gain Control ([Table 20](#))

MGAIN3-2 and MGAIN0 bits are D3, D2 and D0 of 02H. Default: “0001” (+20.0dB)

AOPS: Mono Line Output Power-Save Mode

0: Normal Operation (default)

1: Power-Save Mode

Power-save mode is enable at AOPS bit = “1”. POP noise at power-up/down can be reduced by changing at PMAO bit = “1”. ([Figure 40](#))

PFSDO: Select of signal from SDTO

0: Output of ADC (1st - HPF)

1: Output of Programmable Filter/ALC (default)

Addr	Register Name	D7	D6	D5	D4	D3	D2	D1	D0
04H	Mode Control 1	PLL3	PLL2	PLL1	PLL0	BCKO1	BCKO0	DIF1	DIF0
	R/W	R/W	R/W	R/W	R/W	R/W	R/W	R/W	R/W
	Default	0	0	0	0	0	0	1	0

DIF1-0: Audio Interface Format ([Table 16](#))

Default: “10” (MSB First)

BCKO1-0: Select BICK output frequency at Master Mode ([Table 9](#))

Default: “00” (16fs)

PLL3-0: Select input frequency at PLL mode ([Table 4](#))

Default: “0000” (FCK pin)

Addr	Register Name	D7	D6	D5	D4	D3	D2	D1	D0
05H	Mode Control 2	ADRST	FCKO	FS3	MSBS	BCKP	FS2	FS1	FS0
	R/W	R/W	R/W	R/W	R/W	R/W	R/W	R/W	R/W
	Default	0	0	0	0	0	0	0	0

FS3-0: Setting of Sampling Frequency ([Table 5](#) and [Table 6](#)) and MCKI Frequency ([Table 11](#))

These bits are selected to sampling frequency at PLL mode and MCKI frequency at EXT mode.

Default: "0000"

BCKP, MSBS: "00" (default) ([Table 17](#))

FCKO: Select FCK output frequency at Master Mode ([Table 10](#))

Default: "0"

ADRST: Initialization cycle setting of ADC

0: 1059/fs (default)

1: 291/fs

Addr	Register Name	D7	D6	D5	D4	D3	D2	D1	D0
06H	Timer Select	0	WTM2	ZTM1	ZTM0	WTM1	WTM0	RFST1	RFST0
	R/W	R	R/W	R/W	R/W	R/W	R/W	R/W	R/W
	Default	0	0	0	0	0	0	0	0

WTM2-0: ALC1 Recovery Waiting Period ([Table 28](#))

A period of recovery operation when any limiter operation does not occur during the ALC1 operation.

Default is "000".

ZTM1-0: ALC1, ALC2, IVOL and OVOL Zero crossing timeout Period ([Table 27](#))

The gain is changed by the manual volume controlling (ALC off) or the recovery operation (ALC on) only at Zero crossing or timeout. The default value is "00".

RFST1-0 : ALC First recovery Speed ([Table 32](#))

Default: "00" (4times)

Addr	Register Name	D7	D6	D5	D4	D3	D2	D1	D0
07H	ALC Mode Control 1	LFST	ALC2	ALC1	ZELMN	LMAT1	LMAT0	RGAIN0	LMTH0
	R/W	R/W	R/W	R/W	R/W	R/W	R/W	R/W	R/W
	Default	0	0	0	0	0	0	0	1

LMTH1-0: ALC Limiter Detection Level / Recovery Waiting Counter Reset Level ([Table 25](#))

LMTH1 bit is located at D6 bit of 0BH. Default: "01"

RGAIN1-0: ALC Recovery GAIN Step ([Table 29](#))

RGAIN1 bit is located at D7 bit of 0BH. Default: "00"

LMAT1-0: ALC Limiter ATT Step ([Table 26](#))

Default: "00"

ZELMN: Zero crossing detection enable at ALC Limiter operation

0: Enable (default)

1: Disable

ALC1: ALC of recoding path Enable

0: Disable (default)

1: Enable

ALC2: ALC2 of playback path Enable

0: Disable (default)

1: Enable

LFST: Limiter function of ALC when the output was bigger than Fs.

0: The volume value is changed at zero crossing or timeout. (default)

1: When output of ALC is bigger than FS, VOL value is changed instantly.

Addr	Register Name	D7	D6	D5	D4	D3	D2	D1	D0
08H	ALC Mode Control 2	IREF7	IREF6	IREF5	IREF4	IREF3	IREF2	IREF1	IREF0
	R/W	R/W	R/W	R/W	R/W	R/W	R/W	R/W	R/W
	Default	1	1	0	0	0	1	0	1

IREF7-0: Reference value at ALC Recovery operation for recoding. (0.375dB step, 242 Level) ([Table 30](#))

Default: "C5H" (+19.5dB)

Addr	Register Name	D7	D6	D5	D4	D3	D2	D1	D0
09H	Input Digital Volume Control	IVOL7	IVOL6	IVOL5	IVOL4	IVOL3	IVOL2	IVOL1	IVOL0
	R/W	R/W	R/W	R/W	R/W	R/W	R/W	R/W	R/W
	Default	1	0	0	1	0	0	0	1

IVOL7-0: Input Digital Volume; 0.375dB step, 242 Level ([Table 22](#))
 Default: "91H" (0.0dB)

Addr	Register Name	D7	D6	D5	D4	D3	D2	D1	D0
0AH	Digital Volume Control	OVOL7	OVOL6	OVOL5	OVOL4	OVOL3	OVOL2	OVOL1	OVOL0
	R/W	R/W	R/W	R/W	R/W	R/W	R/W	R/W	R/W
	Default	1	0	0	1	0	0	0	1

OVOL7-0: Output Digital Volume; 0.375dB step, 242 Level ([Table 23](#))
 Default: "91H" (0.0dB)

Addr	Register Name	D7	D6	D5	D4	D3	D2	D1	D0
0BH	ALC Mode Control 3	RGAIN1	LMTH1	OREF5	OREF4	OREF3	OREF2	OREF1	OREF0
	R/W	R/W	R/W	R/W	R/W	R/W	R/W	R/W	R/W
	Default	0	0	1	0	1	0	0	0

OREF5-0: Reference value at ALC Recovery operation for playback. 1.5dB step, 60 Level ([Table 31](#))
 Default: "28H" (+6.0dB)

LMTH1-0: ALC Limiter Detection Level / Recovery Waiting Counter Reset Level
 Default: "01" (-4.1dBFS > ALC Output ≥ -6.0dBFS)

RGAIN1-0: ALC Recovery GAIN Step ([Table 29](#))
 RGAIN1 bit is located at D1 bit of 07H. Default: "00"

Addr	Register Name	D7	D6	D5	D4	D3	D2	D1	D0
0CH	Video Mode Control	0	0	SAGC	VGCA4	VGCA3	VGCA2	VGCA1	VGCA0
	R/W	R/W	R/W	R/W	R/W	R/W	R/W	R/W	R/W
	Default	0	0	0	0	0	0	1	0

VGCA4-0: Gain Control of Video output ([Table 47](#))

SAGC: Select Video Output method. ([Table 45](#))

Addr	Register Name	D7	D6	D5	D4	D3	D2	D1	D0
0DH	Input Digital Volume Control	VOL7	VOL6	VOL5	VOL4	VOL3	VOL2	VOL1	VOL0
	R/W	R	R	R	R	R	R	R	R
	Default	-	-	-	-	-	-	-	-

VOL7-0: The current volume of ALC; 0.375dB step, 242 Level, Read only ([Table 33](#))

Addr	Register Name	D7	D6	D5	D4	D3	D2	D1	D0
0EH	Mode Control 3	DATT1	DATT0	SMUTE	MDIF	VSAG2	VSAG1	VSAG0	READ
	R/W	R/W	R/W	R/W	R/W	R/W	R/W	R/W	R/W
	Default	0	0	0	0	1	0	1	0

READ: Read function Enable

0: Disable (default)

1: Enable

VSAG2-0: Select common level of Video-amp at Sag Compensation mode (SAGC = "1"). (Table 46)

Default: "101"

MDIF: Single-ended / Full-differential Input Select

0: Single-ended input (MIC pin or LIN pin: Default)

1: Full-differential input (MICP and MICN pins)

SMUTE: Soft Mute Control

0: Normal Operation (default)

1: DAC outputs soft-muted

DATT1-0: Output Digital Volume2; 6dB step, 4 Level (Table 24)

Default: "00H" (0.0dB)

Addr	Register Name	D7	D6	D5	D4	D3	D2	D1	D0
0FH	Thermal Shutdown	THDET	0	0	0	0	0	0	0
	R/W	R	R	R	R	R	R	R	R
	Default	0	0	0	0	0	0	0	0

THDET: Thermal Shutdown Detection

0: Normal Operation (default)

1: Thermal Shutdown

Addr	Register Name	D7	D6	D5	D4	D3	D2	D1	D0
10H	Signal Select 4	0	LOVL	0	0	0	0	LIN	0
	R/W	R	R/W	R	R	R	R	R/W	R
	Default	0	0	0	0	0	0	0	0

LIN: Select Input data of ADC

0: MIC pin (default)

1: LIN pin

LOVL: Lineout Gain Setting

0: 0dB(default)

1: +2dB

Addr	Register Name	D7	D6	D5	D4	D3	D2	D1	D0
11H	Digital Filter Select 1	0	0	LPF	HPF	0	0	0	HPFAD
	R/W	R	R	R/W	R/W	R	R	R	R/W
	Default	0	0	0	1	0	0	0	1

HPFAD: HPF Enable in ADC block

0: Disable

1: Enable (default)

When HPFAD bit is “0”, HPFAD block is bypassed (0dB).

When HPFAD bit is “1”, F1A13-0, F1B13-0 bits are enabled.

HPFAD bit should be “1” at PMADC bit = “1”.

HPF: HPF Enable in Filter block.

0: Disable

1: Enable (default)

When HPF bit is “0”, HPF block is bypassed (0dB).

When HPF bit is “1”, F1A13-0, F1B13-0 bits are enabled.

LPF: LPF Coefficient Setting Enable

0: Disable (default)

1: Enable

When LPF bit is “0”, LPF block is bypassed (0dB).

When LPF bit is “1”, F2A13-0, F2B13-0 bits are enabled.

Addr	Register Name	D7	D6	D5	D4	D3	D2	D1	D0
1CH	HPF Co-efficient 0	F1A7	F1A6	F1A5	F1A4	F1A3	F1A2	F1A1	F1A0
1DH	HPF Co-efficient 1	0	0	F1A13	F1A12	F1A11	F1A10	F1A9	F1A8
1EH	HPF Co-efficient 2	F1B7	F1B6	F1B5	F1B4	F1B3	F1B2	F1B1	F1B0
1FH	HPF Co-efficient 3	0	0	F1B13	F1B12	F1B11	F1B10	F1B9	F1B8
	R/W	W	W	W	W	W	W	W	W
	Default	F1A13-0 bits = 0x1F16, F1B13-0 bits = 0x1E2B							

F1A13-0, F1B13-0: FIL1 (Wind-noise Reduction Filter) Coefficient (14bit x 2)

Default: F1A13-0 bits = 0x1F16, F1B13-0 bits = 0x1E2B

$f_c = 75\text{Hz}@f_s = 8\text{kHz}$, $150\text{Hz}@f_s = 16\text{kHz}$

Addr	Register Name	D7	D6	D5	D4	D3	D2	D1	D0
20H	BEEP Frequency	BPCNT	0	0	0	0	0	BPFR1	BPFR0
	R/W	R/W	R	R	R	R	R	R/W	R/W
	Default	0	0	0	0	0	0	0	0

BPFR1-0: BEEP Signal Output Frequency Setting (Table 38 ~ Table 40)

Default: “00”

BPCNT: BEEP Signal Output Mode Setting

0: Once Output Mode (default)

1: Continuous Mode

In continuous mode, the BEEP signal is output while BPCNT bit is “1”.

In once output mode, the BEEP signal is output by only the frequency set with BPTM6-0 bits.

Addr	Register Name	D7	D6	D5	D4	D3	D2	D1	D0
21H	BEEP ON Time	BPON7	BPON6	BPON5	BPON4	BPON3	BPON2	BPON1	BPON0
	R/W	R/W	R/W	R/W	R/W	R/W	R/W	R/W	R/W
	Default	0	0	0	0	0	0	0	0

BPON7-0: Setting ON-time of BEEP signal output (Table 41)

Default: "00H"

Addr	Register Name	D7	D6	D5	D4	D3	D2	D1	D0
22H	BEEP OFF Time	BPOFF7	BPOFF6	BPOFF5	BPOFF4	BPOFF3	BPOFF2	BPOFF1	BPOFF0
	R/W	R/W	R/W	R/W	R/W	R/W	R/W	R/W	R/W
	Default	0	0	0	0	0	0	0	0

BPOFF7-0: Setting OFF-time of BEEP signal output (Table 42)

Default: "00H"

Addr	Register Name	D7	D6	D5	D4	D3	D2	D1	D0
23H	BEEP Repeat Count	0	BPTM6	BPTM5	BPTM4	BPTM3	BPTM2	BPTM1	BPTM0
	R/W	R	R/W	R/W	R/W	R/W	R/W	R/W	R/W
	Default	0	0	0	0	0	0	0	0

BPTM6-0: Setting the number of times that BEEP signal repeats (Table 43)

Default: "00H"

Addr	Register Name	D7	D6	D5	D4	D3	D2	D1	D0
24H	BEEP VOL/Control	BPOUT	0	0	0	0	BPLVL2	BPLVL1	BPLVL0
	R/W	R/W	R	R	R	R	R/W	R/W	R/W
	Default	0	0	0	0	0	0	0	0

BPLVL2-0: Setting Output Level of BEEP signal (Table 44)

Default: "0H" (0dB)

BPOUT: BEEP Signal Control

0: OFF (default)

1: ON

At the time of BPCNT = "0", when BPOUT bit is "1", the beep signal starts outputting. The Beep signal stops after the number of times that was set in BPTM6-0 bit, and BPOUT bit is set to "0" automatically.

Addr	Register Name	D7	D6	D5	D4	D3	D2	D1	D0
2CH	LPF Co-efficient 0	F2A7	F2A6	F2A5	F2A4	F2A3	F2A2	F2A1	F2A0
2DH	LPF Co-efficient 1	0	0	F2A13	F2A12	F2A11	F2A10	F2A9	F2A8
2EH	LPF Co-efficient 2	F2B7	F2B6	F2B5	F2B4	F2B3	F2B2	F2B1	F2B0
2FH	LPF Co-efficient 3	0	0	F2B13	F2B12	F2B11	F2B10	F2B9	F2B8
	R/W	W	W	W	W	W	W	W	W
	Default	0	0	0	0	0	0	0	0

F2A13-0, F2B13-0: LPF Coefficient (14bit x 2)
 Default: "0000H"

Addr	Register Name	D7	D6	D5	D4	D3	D2	D1	D0
30H	Digital Filter Select 2	0	0	0	EQ5	EQ4	EQ3	EQ2	EQ1
	R/W	R	R	R	R/W	R/W	R/W	R/W	R/W
	Default	0	0	0	0	0	0	0	0

EQ1: Equalizer 1 Coefficient Setting Enable

- 0: Disable (default)
- 1: Enable

When EQ1 bit is "1", E1A15-0, E1B15-0, E1C15-0 bits are enabled. When EQ1 bit is "0", EQ block is through (0dB).

EQ2: Equalizer 2 Coefficient Setting Enable

- 0: Disable (default)
- 1: Enable

When EQ2 bit is "1", E2A15-0, E2B15-0, E2C15-0 bits are enabled. When EQ2 bit is "0", EQ block is through (0dB).

EQ3: Equalizer 3 Coefficient Setting Enable

- 0: Disable (default)
- 1: Enable

When EQ3 bit is "1", E3A15-0, E3B15-0, E3C15-0 bits are enabled. When EQ3bit is "0", EQ block is through (0dB).

EQ4: Equalizer 4 Coefficient Setting Enable

- 0: Disable (default)
- 1: Enable

When EQ4 bit is "1", E4A15-0, E4B15-0, E4C15-0 bits are enabled. When EQ4 bit is "0", EQ block is through (0dB).

EQ5: Equalizer 5 Coefficient Setting Enable

- 0: Disable (default)
- 1: Enable

When EQ5 bit is "1", E5A15-0, E5B15-0, E5C15-0 bits are enabled. When EQ5 bit is "0", EQ block is through (0dB).

Addr	Register Name	D7	D6	D5	D4	D3	D2	D1	D0
32H	E1 Co-efficient 0	E1A7	E1A6	E1A5	E1A4	E1A3	E1A2	E1A1	E1A0
33H	E1 Co-efficient 1	E1A15	E1A14	E1A13	E1A12	E1A11	E1A10	E1A9	E1A8
34H	E1 Co-efficient 2	E1B7	E1B6	E1B5	E1B4	E1B3	E1B2	E1B1	E1B0
35H	E1 Co-efficient 3	E1B15	E1B14	E1B13	E1B12	E1B11	E1B10	E1B9	E1B8
36H	E1 Co-efficient 4	E1C7	E1C6	E1C5	E1C4	E1C3	E1C2	E1C1	E1C0
37H	E1 Co-efficient 5	E1C15	E1C14	E1C13	E1C12	E1C11	E1C10	E1C9	E1C8
38H	E2 Co-efficient 0	E2A7	E2A6	E2A5	E2A4	E2A3	E2A2	E2A1	E2A0
39H	E2 Co-efficient 1	E2A15	E2A14	E2A13	E2A12	E2A11	E2A10	E2A9	E2A8
3AH	E2 Co-efficient 2	E2B7	E2B6	E2B5	E2B4	E2B3	E2B2	E2B1	E2B0
3BH	E2 Co-efficient 3	E2B15	E2B14	E2B13	E2B12	E2B11	E2B10	E2B9	E2B8
3CH	E2 Co-efficient 4	E2C7	E2C6	E2C5	E2C4	E2C3	E2C2	E2C1	E2C0
3DH	E2 Co-efficient 5	E2C15	E2C14	E2C13	E2C12	E2C11	E2C10	E2C9	E2C8
3EH	E3 Co-efficient 0	E3A7	E3A6	E3A5	E3A4	E3A3	E3A2	E3A1	E3A0
3FH	E3 Co-efficient 1	E3A15	E3A14	E3A13	E3A12	E3A11	E3A10	E3A9	E3A8
40H	E3 Co-efficient 2	E3B7	E3B6	E3B5	E3B4	E3B3	E3B2	E3B1	E3B0
41H	E3 Co-efficient 3	E3B15	E3B14	E3B13	E3B12	E3B11	E3B10	E3B9	E3B8
42H	E3 Co-efficient 4	E3C7	E3C6	E3C5	E3C4	E3C3	E3C2	E3C1	E3C0
43H	E3 Co-efficient 5	E3C15	E3C14	E3C13	E3C12	E3C11	E3C10	E3C9	E3C8
44H	E4 Co-efficient 0	E4A7	E4A6	E4A5	E4A4	E4A3	E4A2	E4A1	E4A0
45H	E4 Co-efficient 1	E4A15	E4A14	E4A13	E4A12	E4A11	E4A10	E4A9	E4A8
46H	E4 Co-efficient 2	E4B7	E4B6	E4B5	E4B4	E4B3	E4B2	E4B1	E4B0
47H	E4 Co-efficient 3	E4B15	E4B14	E4B13	E4B12	E4B11	E4B10	E4B9	E4B8
48H	E4 Co-efficient 4	E4C7	E4C6	E4C5	E4C4	E4C3	E4C2	E4C1	E4C0
49H	E4 Co-efficient 5	E4C15	E4C14	E4C13	E4C12	E4C11	E4C10	E4C9	E4C8
4AH	E5 Co-efficient 0	E5A7	E5A6	E5A5	E5A4	E5A3	E5A2	E5A1	E5A0
4BH	E5 Co-efficient 1	E5A15	E5A14	E5A13	E5A12	E5A11	E5A10	E5A9	E5A8
4CH	E5 Co-efficient 2	E5B7	E5B6	E5B5	E5B4	E5B3	E5B2	E5B1	E5B0
4DH	E5 Co-efficient 3	E5B15	E5B14	E5B13	E5B12	E5B11	E5B10	E5B9	E5B8
4EH	E5 Co-efficient 4	E5C7	E5C6	E5C5	E5C4	E5C3	E5C2	E5C1	E5C0
4FH	E5 Co-efficient 5	E5C15	E5C14	E5C13	E5C12	E5C11	E5C10	E5C9	E5C8
R/W		W	W	W	W	W	W	W	W
Default		0	0	0	0	0	0	0	0

E1A15-0, E1B15-0, E1C15-0: Equalizer 1 Coefficient (16bit x3)
Default: "0000H"

E2A15-0, E2B15-0, E2C15-0: Equalizer 2 Coefficient (16bit x3)
Default: "0000H"

E3A15-0, E3B15-0, E3C15-0: Equalizer 3 Coefficient (16bit x3)
Default: "0000H"

E4A15-0, E4B15-0, E4C15-0: Equalizer 4 Coefficient (16bit x3)
Default: "0000H"

E5A15-0, E5B15-0, E5C15-0: Equalizer 5 Coefficient (16bit x3)
Default: "0000H"

SYSTEM DESIGN

Figure 63 and Figure 64 show the system connection diagram. The evaluation board [AKD4635] demonstrates the optimum layout, power supply arrangements and measurement results.

< MIC Single-end Input >

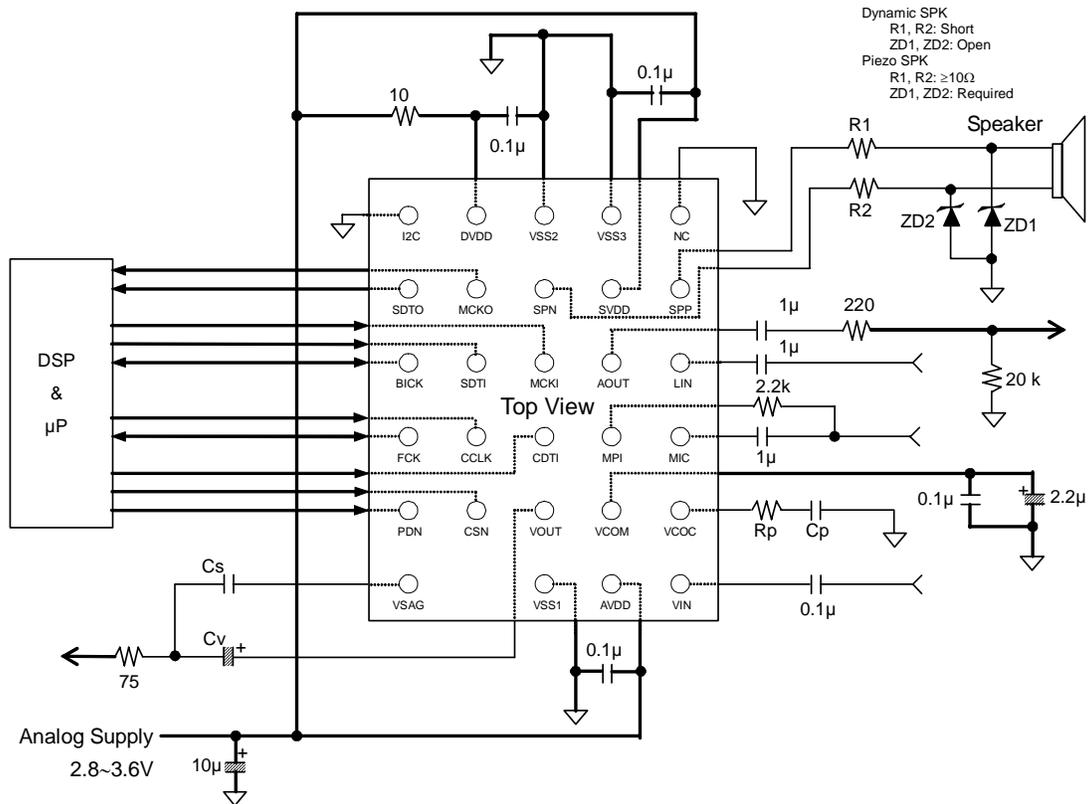


Figure 63. Typical Connection Diagram

Notes:

- VSS1, VSS2 and VSS3 of the AK4635 should be distributed separately from the ground of external controllers.
- All digital input pins except pull-down pin should not be left floating.
- In EXT mode (PMPLL bit = "0"), Rp and Cp of the VCOC pin can be open.
- In PLL mode (PMPLL bit = "1"), Rp and Cp of the VCOC pin should be connected as shown in Table 48.
- When the AK4635 is used at master mode, FCK and BICK pins are floating before M/S bit is changed to "1". Therefore, a pull-up resistor with around 100Ω should be connected to LRCK and BICK pins of the AK4635.
- When AVDD, DVDD and SVDD were distributed, DVDD = 1.6 ~ 3.6 V, SVDD = 2.2 ~ 4.0 V.

< MIC differential Input >

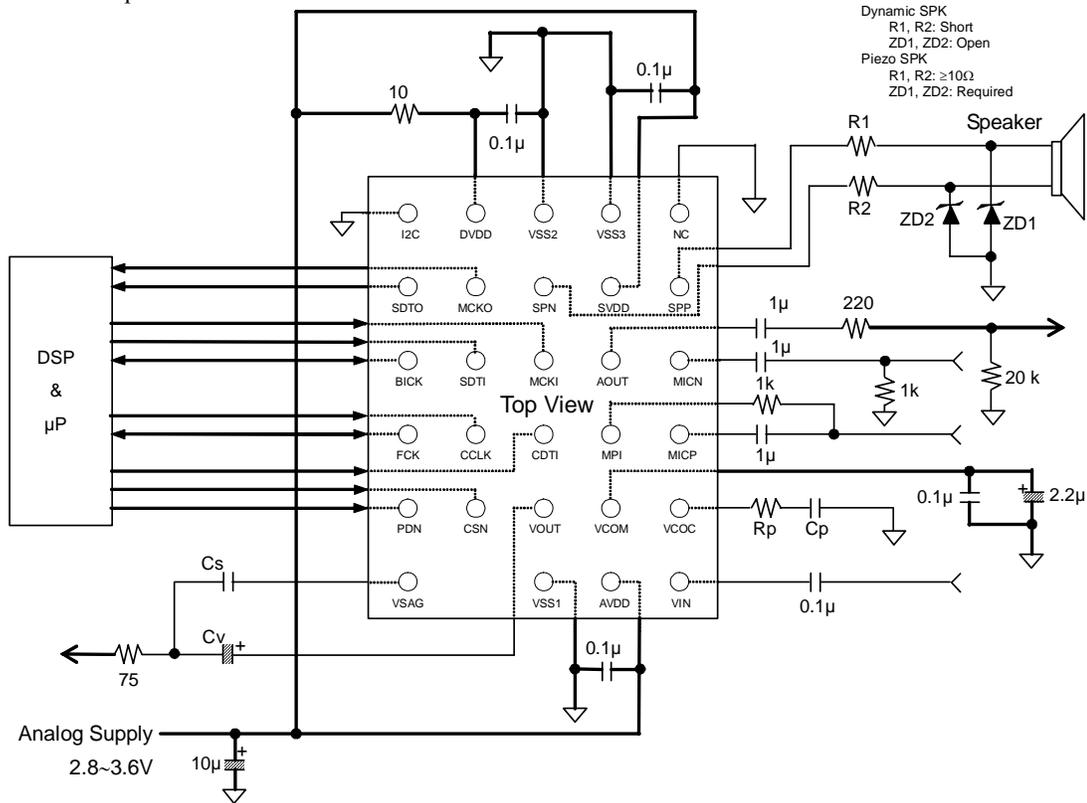


Figure 64. Typical Connection Diagram

Notes:

- VSS1, VSS2 and VSS3 of the AK4635 should be distributed separately from the ground of external controllers.
- All digital input pins except pull-down pin should not be left floating.
- In EXT mode (PMPLL bit = "0"), Rp and Cp of the VCOC pin can be open.
- In PLL mode (PMPLL bit = "1"), Rp and Cp of the VCOC pin should be connected as shown in [Table 48](#).
- When the AK4635 is used as master mode, FCK and BICK pins are floating before M/S bit is changed to "1". Therefore, a pull-up resistor with around 100Ω should be connected to LRCK and BICK pins of the AK4635.
- When AVDD, DVDD and SVDD were distributed, DVDD = 1.6 ~ 3.6 V, SVDD = 2.2 ~ 4.0 V.

Mode	PLL3 bit	PLL2 bit	PLL1 bit	PLL0 bit	PLL Reference Clock Input Pin	Input Frequency	Rp and Cp of VCOC pin		PLL Lock Time (max)
							Rp[Ω]	Cp[F]	
0	0	0	0	0	FCK pin	1fs	6.8k	220n	160ms
1	0	0	0	1	BICK pin	16fs	10k	4.7n	2ms
2	0	0	1	0	BICK pin	32fs	10k	4.7n	2ms
3	0	0	1	1	BICK pin	64fs	10k	4.7n	2ms
6	0	1	1	0	MCKI pin	12MHz	10k	4.7n	30ms
7	0	1	1	1	MCKI pin	24MHz	10k	4.7n	30ms
12	1	1	0	0	MCKI pin	13.5MHz	10k	10n	30ms
13	1	1	0	1	MCKI pin	27MHz	10k	10n	30ms
Others	Others			N/A					

Table 48. Setting of PLL Mode (*fs: Sampling Frequency, N/A: Not available)

1. Grounding and Power Supply Decoupling

The AK4635 requires careful attention to power supply and grounding arrangements. AVDD, DVDD and SVDD are usually supplied from the system's analog supply. If AVDD, DVDD and SVDD are supplied separately, the correct power up sequence should be observed. VSS21, VSS2 and VSS3 of the AK4635 should be connected to the analog ground plane. System analog ground and digital ground should be connected together near to where the supplies are brought onto the printed circuit board. Decoupling capacitors should be as near to the AK4635 as possible, with the small value ceramic capacitor being the nearest.

2. Voltage Reference

VCOM is a signal ground of this chip. A 2.2 μ F electrolytic capacitor in parallel with a 0.1 μ F ceramic capacitor attached to the VCOM pin eliminates the effects of high frequency noise. No load current may be drawn from the VCOM pin. All signals, especially clocks, should be kept away from the VCOM pin in order to avoid unwanted coupling into the AK4635.

3. Analog Inputs

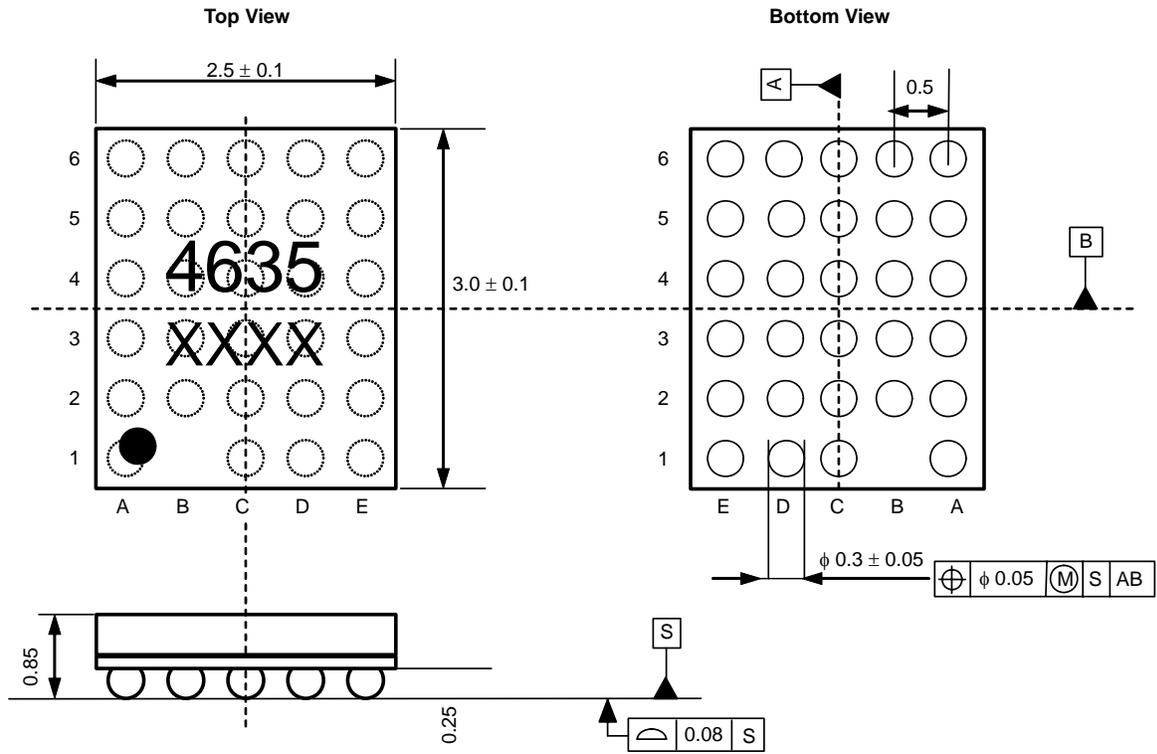
The Mic and Line inputs supports single-ended and differential. The input signal range scales with nominally at 0.06 x AVDD Vpp for the Mic input and 0.6 x AVDD Vpp for the Beep input, centered around the internal common voltage (approx. 0.45 x AVDD). Usually the input signal is AC coupled using a capacitor. The cut-off frequency is $f_c = (1/2\pi RC)$. The AK4635 can accept input voltages from VSS1 to AVDD.

4. Analog Outputs

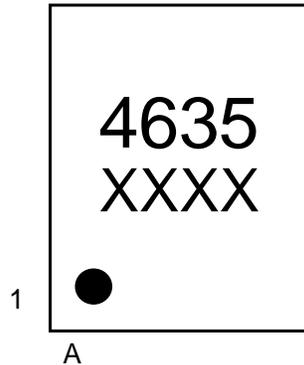
The input data format for the DAC is 2's complement. The output voltage is a positive full scale for 7FFFH(@16bit) and a negative full scale for 8000H(@16bit). Mono Line Output from the AOUT pin is centered at 0.45 x AVDD (typ).

PACKAGE

29pin WL-CSP: 2.5mm x 3.0mm



MARKING



XXXX: Date code identifier (4 digits)

IMPORTANT NOTICE

- These products and their specifications are subject to change without notice.
When you consider any use or application of these products, please make inquiries the sales office of Asahi Kasei EMD Corporation (AKEMD) or authorized distributors as to current status of the products.
- AKEMD assumes no liability for infringement of any patent, intellectual property, or other rights in the application or use of any information contained herein.
- Any export of these products, or devices or systems containing them, may require an export license or other official approval under the law and regulations of the country of export pertaining to customs and tariffs, currency exchange, or strategic materials.
- AKEMD products are neither intended nor authorized for use as critical components_{Note1}) in any safety, life support, or other hazard related device or system_{Note2}), and AKEMD assumes no responsibility for such use, except for the use approved with the express written consent by Representative Director of AKEMD. As used here:
Note1) A critical component is one whose failure to function or perform may reasonably be expected to result, whether directly or indirectly, in the loss of the safety or effectiveness of the device or system containing it, and which must therefore meet very high standards of performance and reliability.
Note2) A hazard related device or system is one designed or intended for life support or maintenance of safety or for applications in medicine, aerospace, nuclear energy, or other fields, in which its failure to function or perform may reasonably be expected to result in loss of life or in significant injury or damage to person or property.
- It is the responsibility of the buyer or distributor of AKEMD products, who distributes, disposes of, or otherwise places the product with a third party, to notify such third party in advance of the above content and conditions, and the buyer or distributor agrees to assume any and all responsibility and liability for and hold AKEMD harmless from any and all claims arising from the use of said product in the absence of such notification.