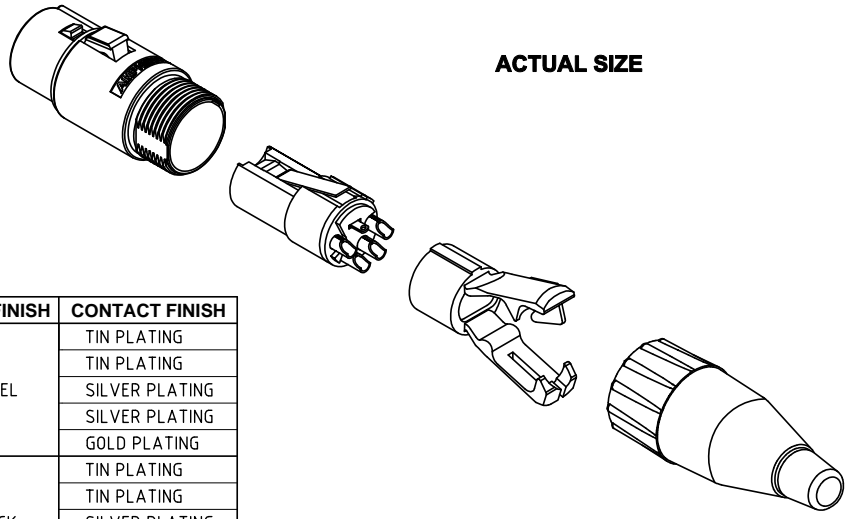


ACTUAL SIZE



| CAT P/No. | SHELL FINISH | CONTACT FINISH |
|-----------|--------------|----------------|
| AC3FJ     | NICKEL       | TIN PLATING    |
| AC4FJ     |              | TIN PLATING    |
| AC5FJ     |              | SILVER PLATING |
| AC6AFJ    |              | SILVER PLATING |
| AC7FJ     | BLACK        | GOLD PLATING   |
| AC3FBJ    |              | TIN PLATING    |
| AC4FBJ    |              | TIN PLATING    |
| AC5FBJ    |              | SILVER PLATING |
| AC6AFBJ   |              | SILVER PLATING |
| AC7FBJ    | GOLD PLATING |                |

|  |          |  |  |        |                |          |                |   |
|--|----------|--|--|--------|----------------|----------|----------------|---|
| UNLESS OTHERWISE SPECIFIED TOLERANCE TO BE |          | THIS DOCUMENT IS THE PROPERTY OF AMPHENOL AUSTRALIA PTY. LTD. NO PART THEREOF MAY BE REPRODUCED AND USED WITHOUT THE PRIOR WRITTEN CONSENT OF THE OWNER. |  | 0      | FIRST ISSUE    | L.V      | 04-04-06       | ----  |
| LINEAR                                     |          | ANGULAR  |  | REV.   | CHANGE DETAILS | BY       | DATE           | CHG/No  |
| X ± 0.5                                    | XX ± 1   | CAD FILE: 55010370000110   |  | DRN:   | L.V            | DATE:    | 04-04-06       | TITLE:  |
| X.X ± 0.1                                  | XX ± 30' | MATERIAL: REFER TO COMPONENT   |  | CKD:   | M.N.H          | DATE:    | 01-05-06       | <b>AC*FJ LINE CONNECTOR</b>                                       |
| X.XX ± 0.05                                | XX ± 15' | FINISH: REFER TO COMPONENT   |  | APP'D: | P.M            | DATE:    | 01-05-06       | <b>CUSTOMER DWG</b>   |
| DO NOT SCALE                               |          | DIMENSIONS IN MILLIMETRES  |  | SCALE: | 1:1 UOS        | PART No: | REFER TO CHART | SIZE: A4  |
|  |          |  |  |        |                |          |                | <b>Amphenol</b>   |
|  |          |  |  |        |                |          |                | Amphenol Australia Pty Ltd, 2 Finways Blvd, Kaysborough, Vic 3173 |
|  |          |  |  |        |                |          |                | DRAWING NO. 55010370-000-1  |
|  |          |  |  |        |                |          |                | SHEET 1 OF 1  |