

SMD CERAMIC WIRE-WOUND CHIP INDUCTORS



1.19 x 0.51 x 0.66 mm

AISC-0402-xxx

OPTIONS & PART IDENTIFICATION:

AISC-0402 - - -

Inductance Code

Please refer to the tables on page 3 and 4

Tolerance Code

G: ±2 %

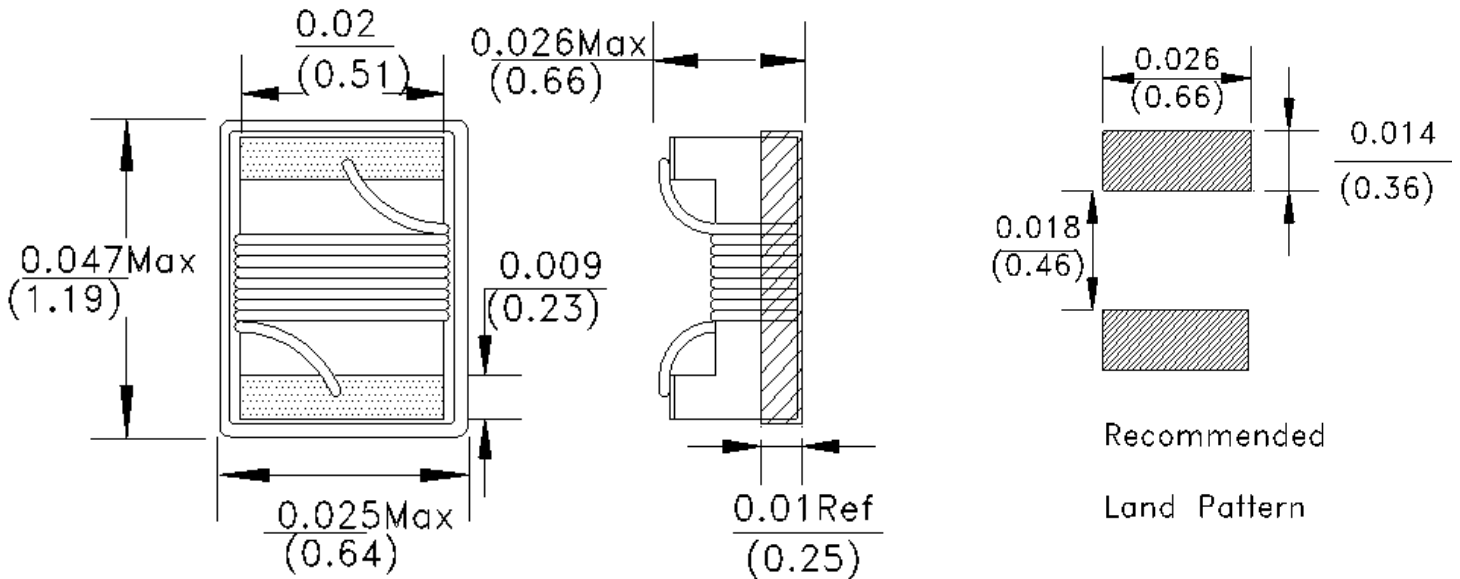
J: ±5%

K: ±10%

T: Tape & Reel
(10k pcs/Reel)

T: Tape and Reel

OUTLINE DRAWING:



Dimensions: Inch (mm)

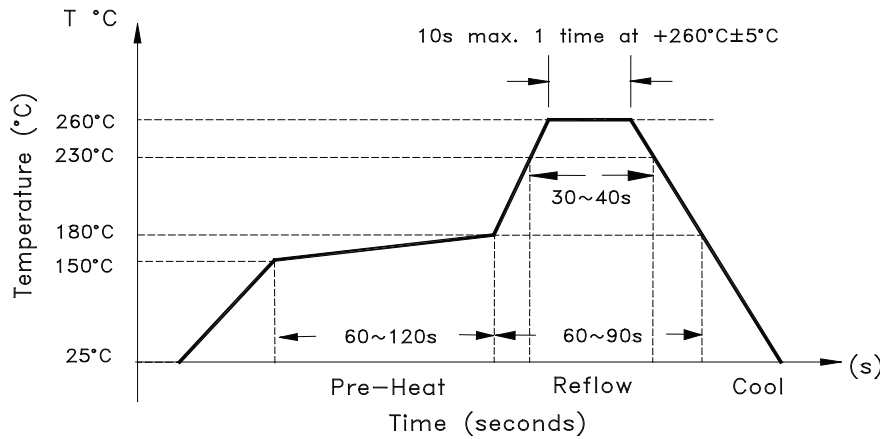
SMD CERAMIC WIRE-WOUND CHIP INDUCTORS

AISC-0402-xxx

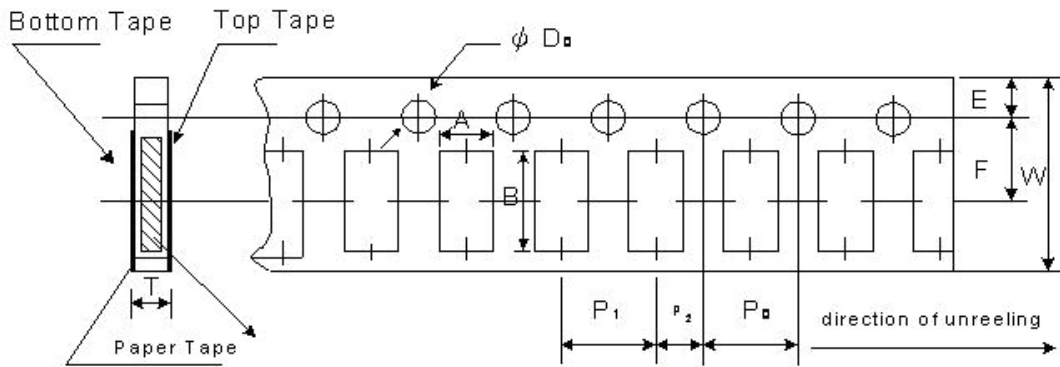


1.19 x 0.51 x 0.66 mm

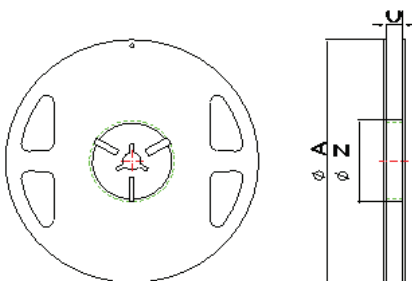
REFLOW PROFILE



TAPE & REEL (10,000pcs/reel):



Codes	A	B	W	E	F
AISC-0402	0.80±0.05	1.4±0.05	8.00±0.10	1.75±0.05	3.5±0.05
Codes	P0	P1	P2	ΦD0	T
AISC-0402	4.00±0.10	4.00±0.05	2.00±0.05	1.55±0.05	0.75±0.03



Series	A	C	Z
AISC-0402	178±2.0	8.4+1.5	60±1.0

Dimensions: mm

ATTENTION: Abracon Corporation's products are COTS – Commercial-Off-The-Shelf products; suitable for Commercial, Industrial and, where designated, Automotive Applications. Abracon's products are not specifically designed for Military, Aviation, Aerospace, Life-dependant Medical applications or any application requiring high reliability where component failure could result in loss of life and/or property. For applications requiring high reliability and/or presenting an extreme operating environment, written consent and authorization from Abracon Corporation is required. Please contact Abracon Corporation for more information.

ABRACON IS
ISO9001:2008
CERTIFIED



ABRACON
CORPORATION

Visit www.abracon.com for Terms & Conditions of Sale
30332 Esperanza, Rancho Santa Margarita, California 92688
tel 949-546-8000 | fax 949-546-8001 | www.abracon.com

Revised: 07.19.12