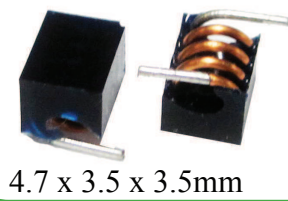


# SMT Air Coil Inductor

AIAC-1812

**RoHS**  
Compliant



4.7 x 3.5 x 3.5mm

## FEATURES:

- High current design
- Wide Range Frequency Response
- Excellent Q & SRF
- Standard flat cap top suitable for automatic placement.

## APPLICATIONS:

- Widely used in Cordless Phones, High Frequency Communication Equipments, Intercom, CATV,RFID
- Suitable for metal sensors and proximity sensors
- Noise suppression for RF power supply/bias
- I/O filtering, frequency selection for audio devices such as Loudspeakers,Hifi
- Impedance Matching for transceivers
- Improves switch isolation for RF circuit

## STANDARD SPECIFICATIONS:

PARAMETERS	
ABRACON P/N:	AIAC-1812
Operating temperature:	-40 °C ~ +125 °C
Storage temperature:	-25°C to + 60°C

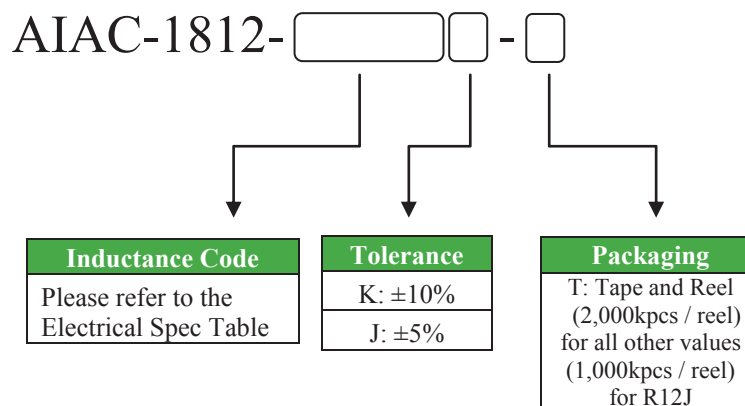
Part Number	Inductance	Tolerance	DCR (Max)	Q(Min)	SRF(Min)	Rated Current (Max)	Inductance Code
Units	nH	%	mΩ		MHz	A	
Symbol	L	J, K	DCR			IDC	
AIAC-1812-22N	22	K	4.8	100.0	3.20	3.2	22NK
AIAC-1812-27N	27	K	4.6	100.0	2.70	3.5	27NK
AIAC-1812-33N	33	K	5.9	100.0	2.50	3.0	33NK
AIAC-1812-39N	39	J	5.6	100.0	2.10	2.8	39NJ
AIAC-1812-47N	47	J	6.9	100.0	2.10	2.8	47NJ
AIAC-1812-56N	56	J	6.4	100.0	1.50	2.9	56NJ
AIAC-1812-68N	68	J	8.1	100.0	1.50	2.9	68NJ
AIAC-1812-82N	82	J	8.9	100.0	1.30	2.6	82NJ
AIAC-1812-R10	100	J	10.0	100.0	1.20	2.5	R10J
AIAC-1812-R12	120	J	11.1	100.0	1.10	2.2	R12J

## Test Conditions and equipments

Test frequency: 150MHz

Equipment: HP4191A

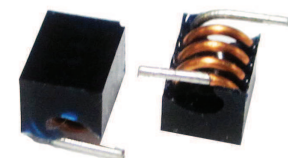
## PART IDENTIFICATION:



# SMT Air Coil Inductor

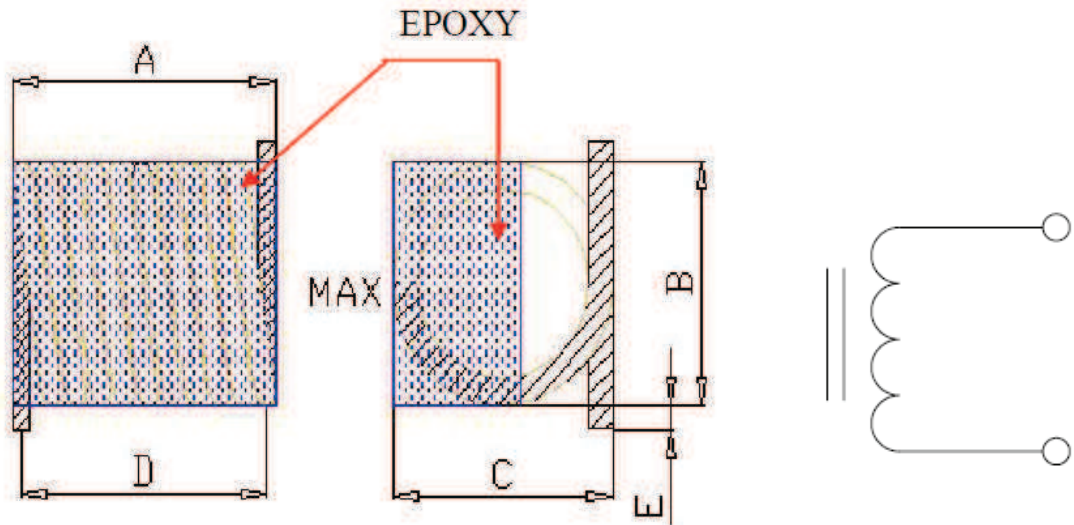
AIAC-1812

**RoHS**  
Compliant



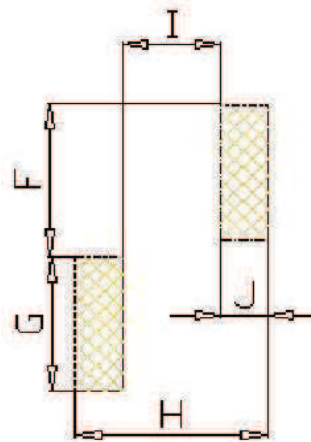
4.7 x 3.5 x 3.5mm

## OUTLINE DRAWING:



A	B	C	D	E
4.7±0.3	3.5±0.2	3.5±0.2	4.3±0.4	1.0±0.3

### Recommended Land Pattern



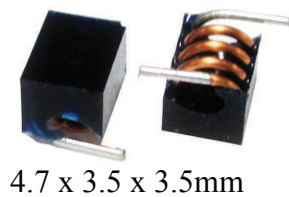
F	G	H	I	J
2.7	5.2	5.8	2.9	1.5

Dimension: inch (mm)

# SMT Air Coil Inductor

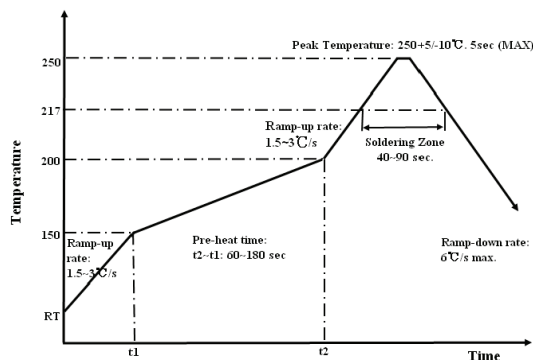
AIAC-1812

RoHS  
Compliant



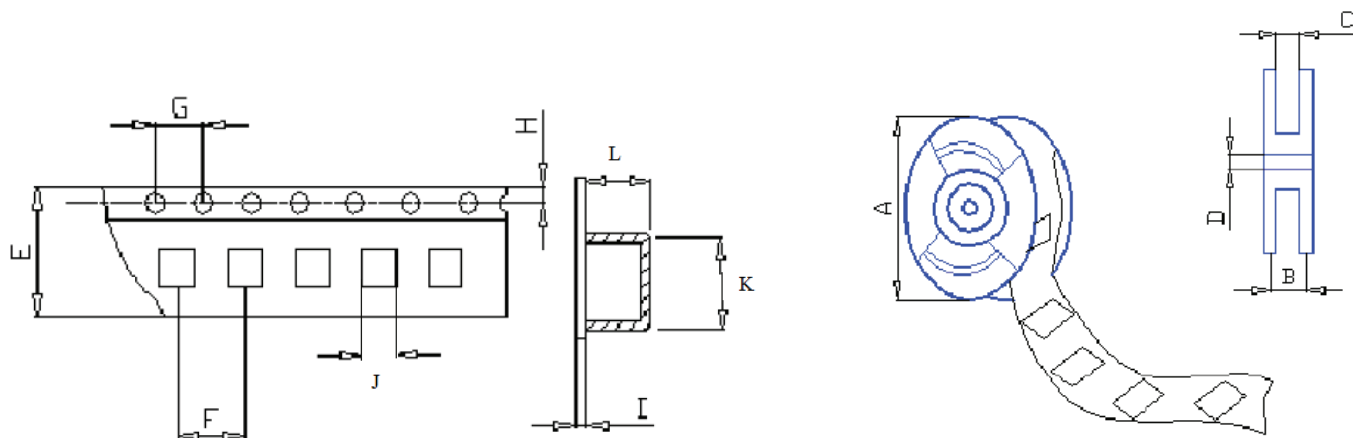
4.7 x 3.5 x 3.5mm

## REFLOW PROFILE:



## TAPE & REEL:

Packing (For all part numbers other than R12J)  
T: 2,000pcs / reel



E	F	G	H	I	J max	K max	L max
16	8	4	1.75	0.4	$5.70 \pm 0.1$	$7.10 \pm 0.1$	$4.20 \pm 0.1$

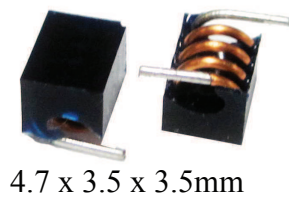
A	330
B	22
C	16
D	13

Dimension: mm

# SMT Air Coil Inductor

AIAC-1812

RoHS  
Compliant

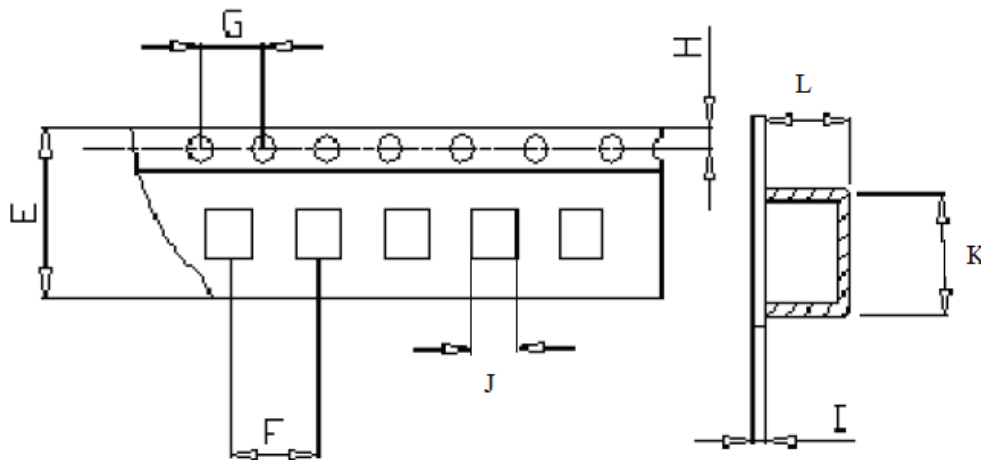


4.7 x 3.5 x 3.5mm

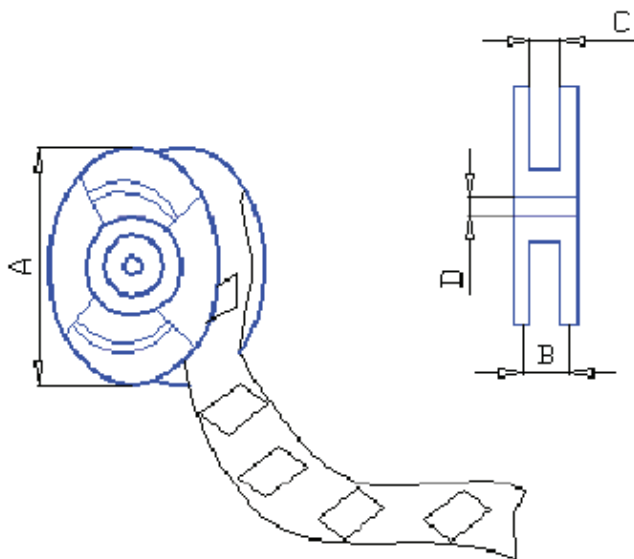
## TAPE & REEL:

Packing (For all part numbers other than R12J)

T: 2,000pcs / reel



E	F	G	H	I	J max	K max	L max
16	8	4	1.75	0.4	5.70±0.1	7.10±0.1	4.20±0.1

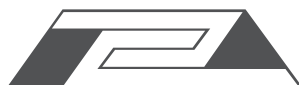


A	330
B	22
C	16
D	13

Dimension: mm

**ATTENTION:** Abracon Corporation's products are COTS – Commercial-Off-The-Shelf products; suitable for Commercial, Industrial and, where designated, Automotive Applications. Abracon's products are not specifically designed for Military, Aviation, Aerospace, Life-dependant Medical applications or any application requiring high reliability where component failure could result in loss of life and/or property. For applications requiring high reliability and/or presenting an extreme operating environment, written consent and authorization from Abracon Corporation is required. Please contact Abracon Corporation for more information.

ABRACON IS  
ISO 9001:2008  
CERTIFIED



**ABRACON**  
CORPORATION

Visit [www.abracon.com](http://www.abracon.com) for Terms & Conditions of Sale  
30332 Esperanza, Rancho Santa Margarita, California 92688  
tel 949-546-8000 | fax 949-546-8001 | [www.abracon.com](http://www.abracon.com)

Revised: 11.20.12