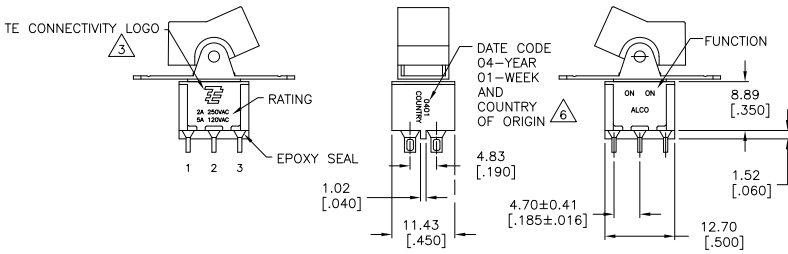


THIS DRAWING IS UNPUBLISHED. RELEASED FOR PUBLICATION. ALL RIGHTS RESERVED.

LOC	DIST	REVISIONS			
F	LNK	DESCRIPTION	DATE	BY	APPD
AD	00	REVISED PER ECO-11-004820	11MAR11	RK	HMR



- ALL MATERIALS AND FINISHES SHALL COMPLY WITH EU DIRECTIVE 2002/95/EC OF 27JAN2003 (ROHS).
- G CONTACT OPTION CAN BE USED FOR SIGNAL OR POWER LEVEL SWITCHING. IF SWITCH IS USED AT LEVELS EXCEEDING .4VA @ 20V AC/DC, SWITCH IS RENDERED FOR POWER SWITCHING ONLY DUE TO ARC REMOVAL OF GOLD PLATING. RATING STAMPED ON THE SWITCH IS 2A 250VAC, 5A 120VAC.
- TE CONNECTIVITY LOGO PER PER TEC-202-36.
- SP3T FUNCTION ACHIEVED WITH FUNCTIONS 11, 13, & 15 BY CUSTOMER APPLIED JUMPER BETWEEN TERMINALS 3 & 5.
- DATE CODE AND COUNTRY OF ORIGIN MAY APPEAR ON EITHER SIDE OF SWITCH.
- PANEL MOUNT BRACKET SUPPLIED WITH TERMINALS W, Z AND Z3 ONLY.

FUNCTION CHART

FUNCTION			
01	ON	NONE	ON
03	ON	OFF	ON
05	(ON)	OFF	(ON)
07	ON	OFF	(ON)
08	ON	NONE	(ON)
TERMINALS CONNECTED	2-3, 5-6	---	1-2, 4-5
11	ON	ON	ON
13	ON	ON	(ON)
15	(ON)	ON	(ON)
TERMINALS CONNECTED	2-3, 5-6	2-3, 4-5	1-2, 4-5
SP3T SCHEMATIC (11, 13 & 15 ONLY) NOTE 5			
	IN 2, OUT 6	IN 2, OUT 4	IN 2, OUT 1

NONE: NO MECHANICAL POSITION
 OFF: MECHANICAL POSITION WITH NO ELECTRICAL CONNECTION
 (ON): MOMENTARY ACTION

SPECIFICATIONS	
RATING, B CONTACTS	.4VA MAX @20V MAX. AC OR DC
RATING, G CONTACTS—SEE NOTE 2	.4VA MAX @20V MAX. AC OR DC OR
	5A @120 VAC OR 28 VDC (RESISTIVE)
RATING, Q CONTACTS	2A @250 VAC (RESISTIVE)
	5A @120 VAC OR 28 VDC (RESISTIVE)
ELECTRICAL LIFE	2A @250 VAC (RESISTIVE) 6,000 CYCLES AT RATED LOAD
CONTACT RESISTANCE	10 MILLIOHMS MAX INITIAL @ 2-4VDC, 100MA
INSULATION RESISTANCE	1,000 MEGOHMS MIN
DIELECTRIC WITHSTANDING VOLTAGE	1,000 V RMS AT SEA LEVEL
OPERATING TEMPERATURE	-30C TO 85C

PART NUMBER SEQUENCE							
MODEL	FUNCTION	ACTUATOR	TERMINAL	CONTACT	ACTUATOR COLOR	FRAME COLOR	ROHS
A2	01	J1	A	B	0 BLACK (STD)	0 BLACK (STD)	04
	03	J3	AV2	G	1 BROWN	1 BROWN	
	05	J50	C	Q	2 RED	2 RED	
	07	J51	V3		3 ORANGE	3 ORANGE	
	08	J52	V4		4 YELLOW	4 YELLOW	
	11	J2	V7		5 GREEN	5 GREEN	
	13	J4	W		6 BLUE	6 BLUE	
	15	J60	W4		8 GRAY	8 GRAY	
		J61	Z		9 WHITE	9 WHITE	
		J62	Z3				

THIS DRAWING IS A CONTROLLED DOCUMENT.

DIMENSIONS: mm [INCHES]	TOLERANCES UNLESS OTHERWISE SPECIFIED:	0 PLG ± .	1 PLG ± .	2 PLG ± .	3 PLG ± .010	4 PLG ± .	ANGLES ± °
MATERIAL: -	FINISH: -	DW: M. BINNER		DW: M. ZITTO		DW: M. ZITTO	
APPLICATION SPEC: -		WEIGHT: -		SIZE: A2		CAGE CODE: 00779	
CUSTOMER DRAWING		SCALE: 2:1		SHEET: 1 of 5		REV: A5	

TE Connectivity
 GEMINI A SERIES ROCKER SWITCH
 DOUBLE POLE

4

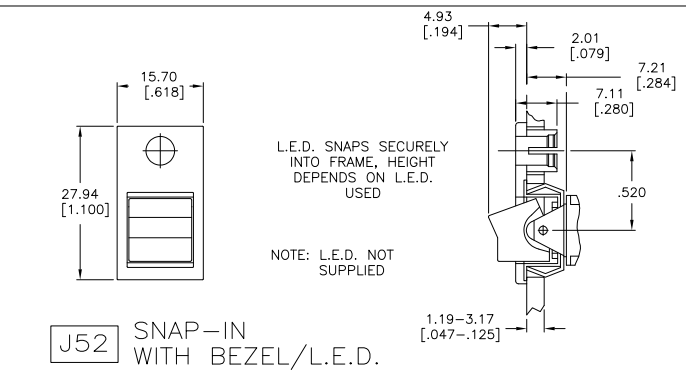
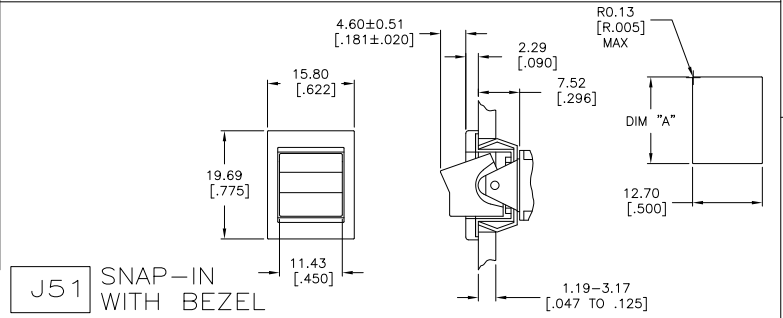
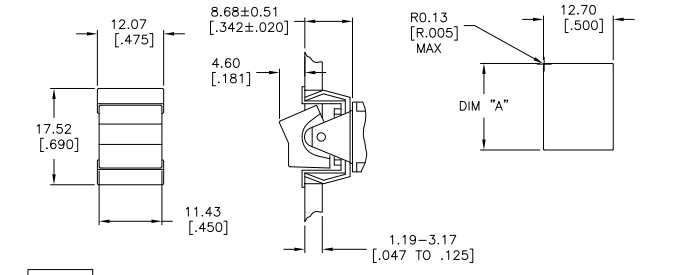
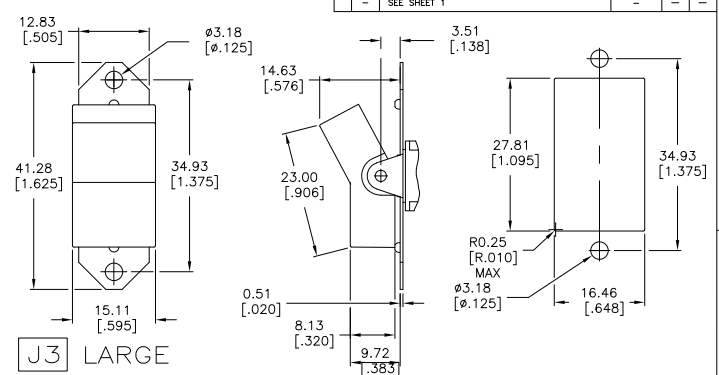
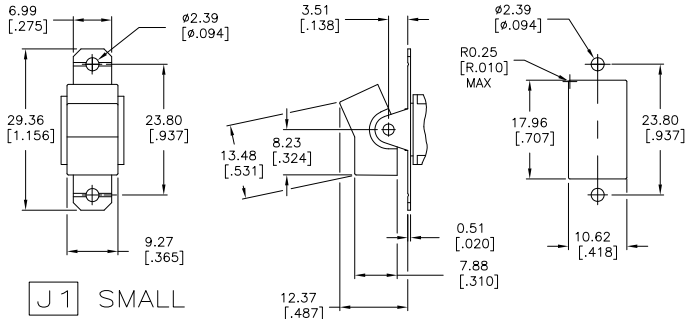
3

2

1

THIS DRAWING IS UNPUBLISHED. RELEASED FOR PUBLICATION.
 © COPYRIGHT - By - ALL RIGHTS RESERVED.

LOC	DIST	REVISIONS					
AD	00	F	LR	DESCRIPTION	DATE	BY	APPD
-	-	-	-	SEE SHEET 1	-	-	-



1.52-3.17 [.060-.125]	15.75-15.87 [.620-.625]
1.19-1.50 [.047-.059]	15.72 [.619]
PANEL THICKNESS	DIM "A"

THIS DRAWING IS A CONTROLLED DOCUMENT.

DIMENSIONS: mm [INCHES]	DESIGNS: M. BINNER	DESIGNS: M. ZITTO	DESIGNS: M. ZITTO
TOLERANCES UNLESS OTHERWISE SPECIFIED:	APPROVED: M. ZITTO	DESIGNS: M. ZITTO	DESIGNS: M. ZITTO
0 P.L.C. ± .1	APPLICATION SPEC: -	SIZE: A2	DATE CODE: 00779
1 P.L.C. ± .05	WEIGHT: -	DRAWING NO: 1571987	RESTRICTED TO: -
2 P.L.C. ± .010	MATERIAL: FINISH	CUSTOMER DRAWING	SCALE: 2:1
3 P.L.C. ± .010			SHEET: 2 of 5
4 P.L.C. ± .010			REV: A5

TE Connectivity
 GEMINI A SERIES ROCKER SWITCH
 DOUBLE POLE

4

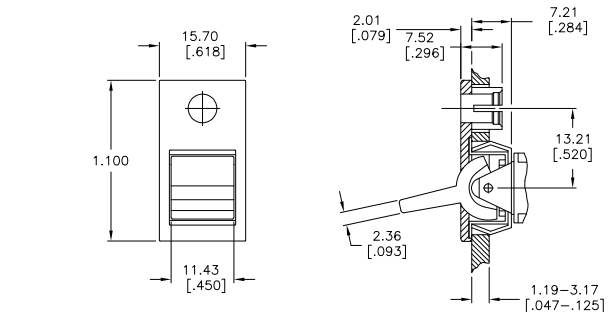
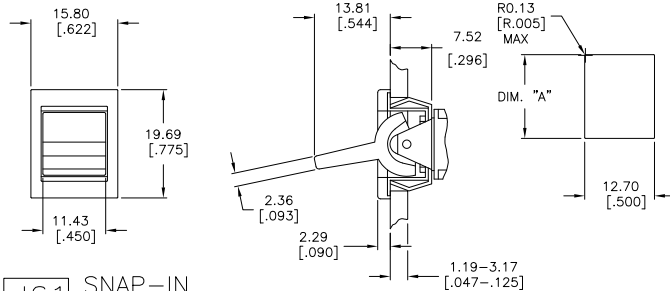
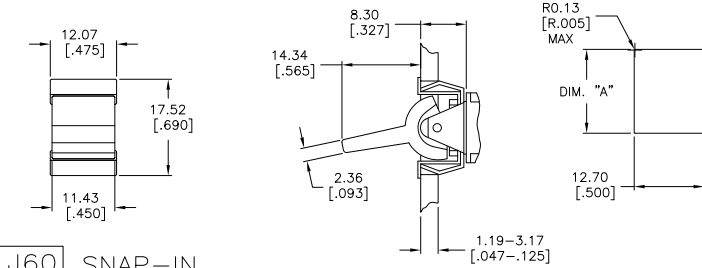
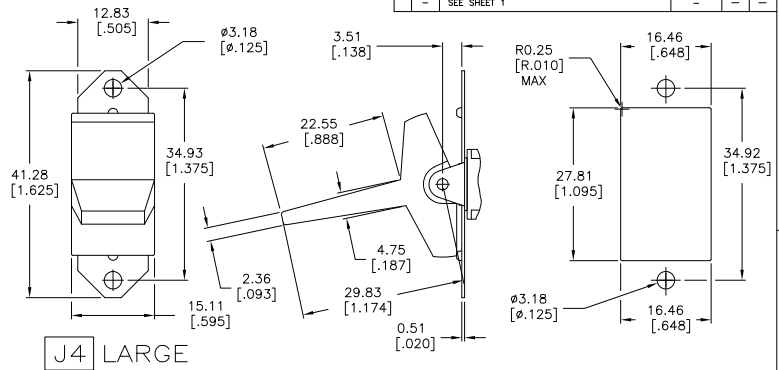
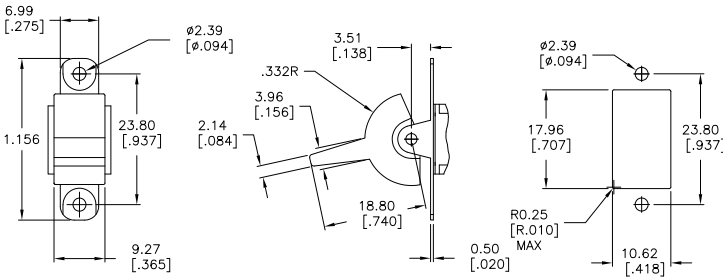
3

2

1

THIS DRAWING IS UNPUBLISHED. RELEASED FOR PUBLICATION.
 © COPYRIGHT - By - ALL RIGHTS RESERVED.

REVISEMENTS		DATE	BY	APP'D
LOC	DIST	DESCRIPTION		
AD	00	SEE SHEET 1	-	-



1.52-3.17 [.060-.125]	15.75-15.87 [.620-.625]
1.19-1.50 [.047-.059]	15.72 [.619]
PANEL THICKNESS	
DIM "A"	

NOTE: L.E.D. NOT SUPPLIED

THIS DRAWING IS A CONTROLLED DOCUMENT.		DW: M. BINNER		DESIGNS		TE Connectivity	
DIMENSIONS: mm [INCHES]		CHK: M. ZITTO		DESIGNS		TE Connectivity	
TOLERANCES UNLESS OTHERWISE SPECIFIED:		APP'D: M. ZITTO		DESIGNS		GEMINI A SERIES ROCKER SWITCH DOUBLE POLE	
0 PLG ± .010	1 PLG ± .010	PRODUCT SPEC:		APPLICATION SPEC:		SIZE: A2	CAGE CODE: 00779
2 PLG ± .010	3 PLG ± .010	WEIGHT:		DRAWING NO: 1571987		RESTRICTED TO:	
4 PLG ± .010	ANGLES ± .5°	MATERIAL:		CUSTOMER DRAWING		SCALE: 2:1	SHEET: 3 of 5
FINISH:						REV: A5	

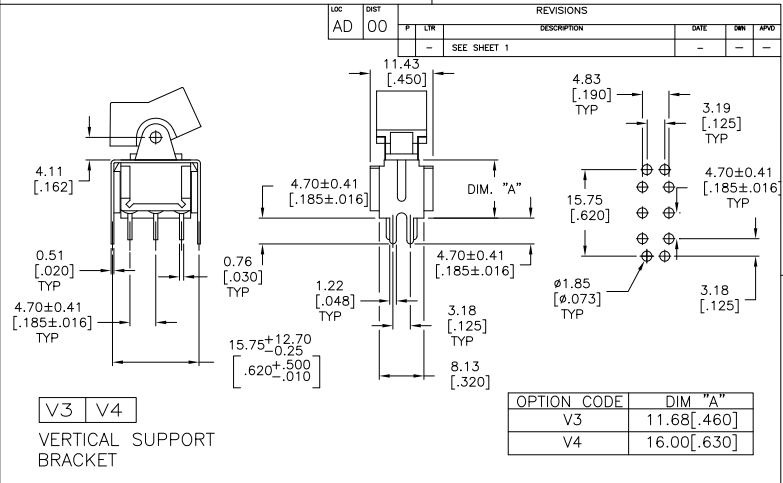
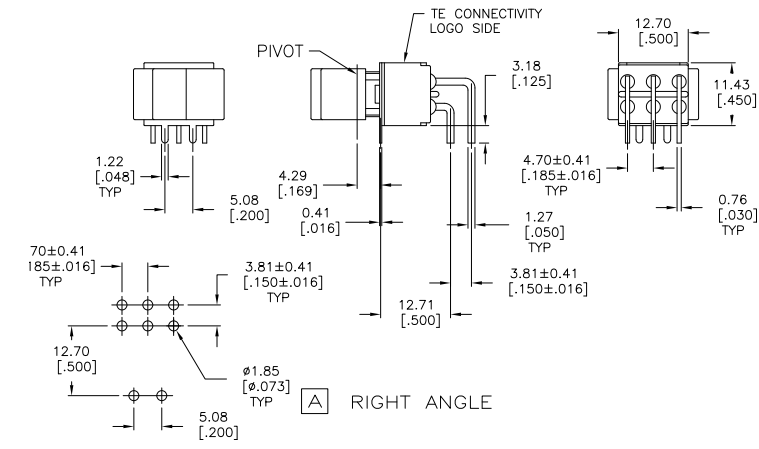
4

3

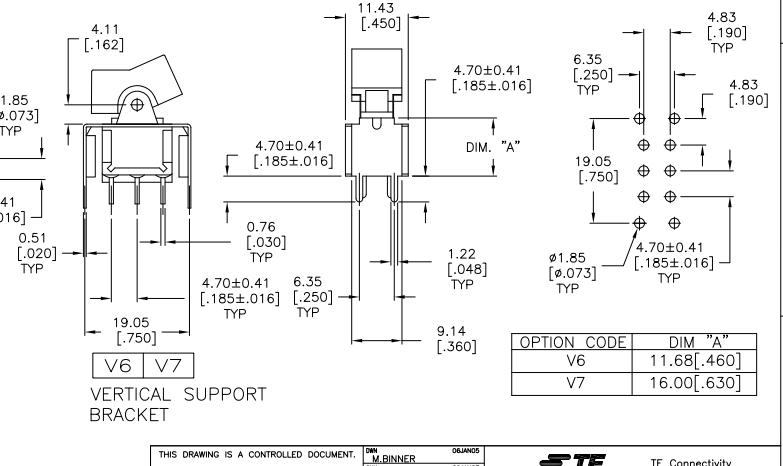
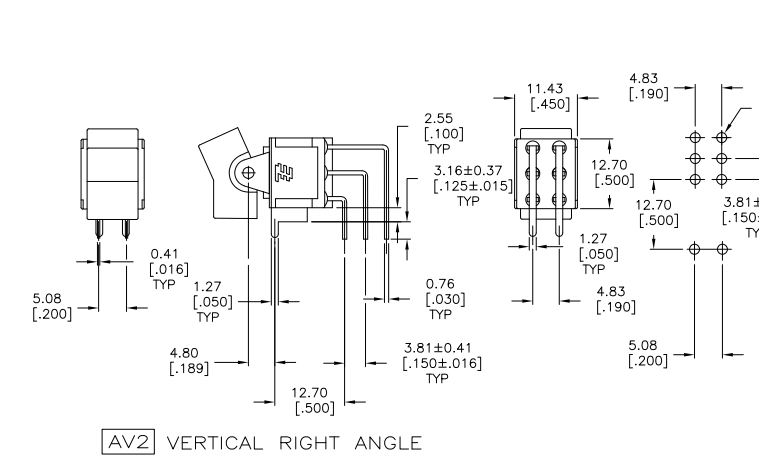
2

1

THIS DRAWING IS UNPUBLISHED. RELEASED FOR PUBLICATION. ALL RIGHTS RESERVED.



LOC	DIST	REV	DESCRIPTION	DATE	BY	APPD
AD	00	-	SEE SHEET 1	-	-	-



THIS DRAWING IS A CONTROLLED DOCUMENT.

DWG: M. BINNER	DESIGNS
CHK: M. ZITTO	DESIGNS
DWG: M. ZITTO	DESIGNS
APPD: M. ZITTO	DESIGNS
PRODUCT SPEC:	
APPLICATION SPEC:	
WEIGHT:	

MATERIAL: - FINISH: -

TE Connectivity
GEMINI A SERIES ROCKER SWITCH
DOUBLE POLE

SIZE: A2 CASE CODE: 00779 DRAWING NO: 1571987 RESTRICTED TO: -
CUSTOMER DRAWING SCALE: 2:1 SHEET: 4 of 5 REV: A5

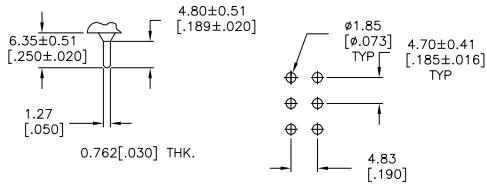
4

3

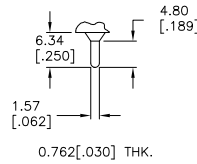
2

1

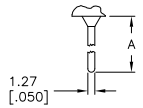
THIS DRAWING IS UNPUBLISHED. RELEASED FOR PUBLICATION. ALL RIGHTS RESERVED.



C PRINTED CIRCUIT



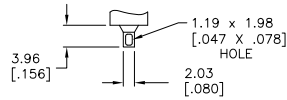
Z3 QUICK CONNECT



0.762[.030] THK.

W W4 WIRE WRAP

OPTION	DIM A
W	18.69[.736]
W4	26.97[1.062]



0.762[.030] THK.

Z WIRE LUG

MATERIALS CHART

COMPONENT NAME	BASE MATERIAL	FINISH
CASE	DAP, RED, UL94 V-0	
FRAME	STAINLESS STEEL	
B TERMINALS & CONTACTS	COPPER	GOLD OVER NICKEL
G TERMINALS & CONTACTS	COPPER	GOLD OVER SILVER
Q TERMINALS & CONTACTS	COPPER	SILVER
ACTUATOR	PHENOLIC, BLACK, UL94 V-1	
ROCKER CAP	NYLON, BLACK, UL94 V-1	
BUSHING & ACTUATOR LEVER	ZINC ALLOY	NICKEL
SPRING	MUSIC WIRE	
SUPPORT BRACKET	BRASS	TIN
PIVOT PIN	STEEL	NICKEL
TERMINAL SEAL	EPOXY, UL94 V-1	

LOC	DIST	REVISIONS				
AD	00	F	LR	DATE	BYN	APD
-	-	-	-	SEE SHEET 1	-	-

A213J61ZQ0004	4-1571987-4
A211J51ZQ0004	4-1571987-3
A208J61ZQ0004	4-1571987-2
A208J51ZQ0004	4-1571987-1
A208J1V3Q004	4-1571987-0
NOT ASSIGNED	3-1571987-9
A207J61ZQ0004	3-1571987-8
A207J51ZQ0004	3-1571987-7
A207J3ZQ004	3-1571987-6
A207J1ZQ004	3-1571987-5
A205J61ZQ0004	3-1571987-4
A205J51ZQ0004	3-1571987-3
A205J2ZQ004	3-1571987-2
A205JZC0004	3-1571987-1
A205J1ZQ004	3-1571987-0
A205J1AV2Q004	2-1571987-9
NOT ASSIGNED	2-1571987-8
A203J61ZQ0004	2-1571987-7
A203J51ZQ0004	2-1571987-6
NOT ASSIGNED	2-1571987-5
A203J1ZQ004	2-1571987-4
NOT ASSIGNED	2-1571987-3
A203J1CQ204	2-1571987-2
A203J1AV2Q004	2-1571987-1
A203J1AQ004	2-1571987-0
A201J61ZQ0004	1-1571987-9
A201J61Z3Q0004	1-1571987-8
A201J51ZQ9904	1-1571987-7
NOT ASSIGNED	1-1571987-6
A201J51ZQ0004	1-1571987-5
A201J50Z0004	1-1571987-4
A201J50AV2Q004	1-1571987-3
A201J50AV2Q004	1-1571987-2
A201J3ZQ004	1-1571987-1
A201J3ZB004	1-1571987-0
A201J2ZQ004	1571987-9
A201J2CQ004	1571987-8
A201J1ZQ004	1571987-7
A201J1V3Q004	1571987-6
A201J1CQ004	1571987-5
A201J1AV2Q004	1571987-4
A201J1AQ204	1571987-3
A201J1AQ004	1571987-2
NOT ASSIGNED	1571987-1
ALCO P/N	P/N

THIS DRAWING IS A CONTROLLED DOCUMENT.

DIMENSIONS: mm [INCHES]	TOLERANCES UNLESS OTHERWISE SPECIFIED:	DRW: M. BINNER	DESIGNS
0 PLG ± .010	1 PLG ± .010	CHK: M. ZITTO	DESIGNS
2 PLG ± .010	3 PLG ± .010	APPD: M. ZITTO	DESIGNS
4 PLG ± .010	ANGLES ± .5°	PRODUCT SPEC:	
MATERIAL:	FINISH:	APPLICATION SPEC:	SIZE: CASE CODE: DRAWING NO:
-	-	WEIGHT:	A2 00779 C=1571987
CUSTOMER DRAWING		SCALE: 2:1	SHEET 5 of 5 REV: A5

TE Connectivity
GEMINI A SERIES ROCKER SWITCH
DOUBLE POLE