

HIGH POWER LED BULB

Data Sheet

Description:

These high powered LED Bulbs are specifically designed for flashlight electric equipment, indicator light switch and where a wide view angle. The 5mm round shaped radiation pattern (60°) and high luminous intensity ensure that these devices are excellent for wide field of view outdoor applications where a wide viewing angle and readability in sunlight are essential.

High efficiency LED materials are used in this Bulb. Every lamp is made with an advanced optical grade epoxy offering superior high shock and high temperature resistance in outdoor applications.

Feature:

- Wide view angle
- High luminous output
- Solid-state Vibration resistant
- Saving power
- Long life

Option:

- 12V/24V AC/DC
- Other industry standard base

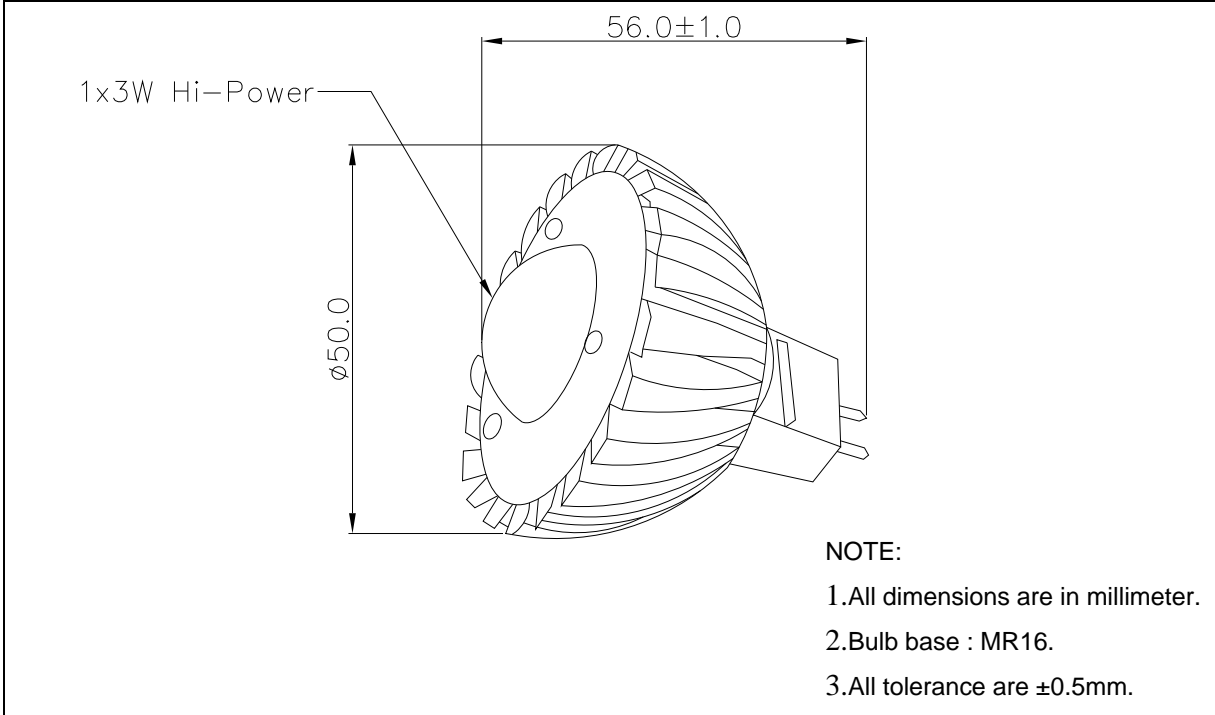
A-BRIGHT

A-BRIGHT INDUSTRIAL CO.,LTD.

Part No.: AB-0153YD-24V-M00-0

High Power LED Bulb

PACKAGE DIMENSIONS:



Part No.: AB-0153YD-24V-M00-0

High Power LED Bulb

FEATURE:

- SUPER LUMINOSITY YELLOW LED (AlGaInP).
- WATER CLEAR PACKAGE.
- 5mm ALL RESIN MOLD.
- WIDE VIEWING ANGLE.
- BASE MODEL MR16.
- ELECTRIC AC/DC BI-POLAR.

ABSOLUTE MAXIMUM RATING: Ta = 25 °C

- OPERATING TEMPERATURE..... -20 TO +80°C
- STORAGE TEMPERATURE..... -40 TO +80°C
- LED BULB LIFE..... 50000 HOURS
(LUMINANCE REDUCES to 50%)

ABSOLUTE OPTICAL CHARACTERISTIC Ta= 25°C

- Lamp house Material/Parameter

| Spec | LED Diameter | Number | Emitting Color | Dominant Wavelength | | | Luminous Flux | | Forward Voltage | | View Angle |
|------|--------------|--------|----------------|---------------------|------|------|---------------|------|-----------------|------|------------|
| | | | | Min. | Typ. | Max. | Min. | Typ. | Typ. | Max. | Typ. |
| LED | Ø5 | 01 | Yellow | 585 | 590 | — | — | 32 | 3.0 | 3.5 | 60 |

Part No.: AB-0153YD-24V-M00-0

High Power LED Bulb

• Finished Product Parameter

| Characteristics | Symbol | MIN. | TYP. | MAX. | Unit |
|-------------------|---------|------|------|------|------|
| Power Dissipation | P_D | 3.0 | / | 4.5 | W |
| Input Current | (AC/DC) | / | 130 | / | mA |
| Input Voltage | (AC/DC) | / | 24 | 28 | V |
| Luminous Flux | LM | / | 32 | / | LM |