

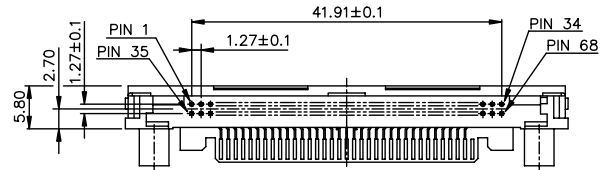
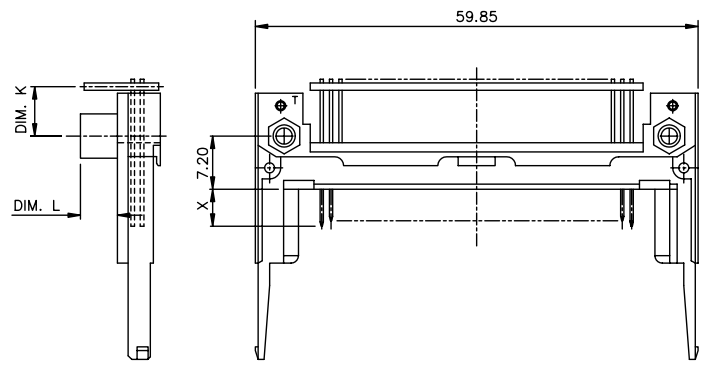
FCI CONFIDENTIAL

FCI

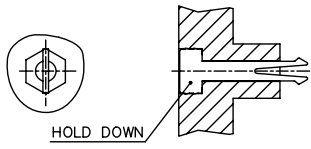
This document is the property of and includes CONFIDENTIAL and PROPRIETARY information of FCI. No part of the information shown on this document may be used in any way or disclosed to other parties without the written consent of FCI. Copyright © FCI.

PRODUCT NO.	DIM "X"		
	95548-****	4.25±0.1	3.5±0.1
	OTHERS	36,67	1,17,34 35,51,68

- 95548-□□□□
- HOLD DOWN : H
 - STAND-OFF :
 - 00 : 0.0 mm
 - 20 : 2.0 mm
 - 22 : 2.2 mm
 - 30 : 3.0 mm
 - 40 : 4.0 mm
 - 43 : 4.3 mm
 - 50 : 5.0 mm
 - UPPER DECK : 5
 - LOWER DECK : 0
 - LOWER DECK : 1
(FOR HOLLAND)
 - LOWER DECK : 2
(FOR KOREA)
 - TOP MOUNT : 0
 - BOTTOM MOUNT : 5



NOTE:
1. ADD "H" TO PART NUMBER FOR OPTIONAL HOLD DOWN (2 PER ASSEMBLY).



95548-0000	0	-0.3
95548-0050H	5	-0.3
95548-0222	2.2	2.15
95548-0150	5	-0.3
95548-0100	0	2.15
95548-0522	0	9.0
95548-0022	2.2	2.15
95548-0543	0	6.55
95548-0043	4.3	-0.3
95548-0550	0	6.55
95548-0050	5	-0.3
95548-0500	0	10.0

PRODUCT NO.	DIM.L	DIM.K±0.20
-------------	-------	------------

mat'l. code		surface	tolerance	projection	product family
ISO 1302		ISO 406	ISO 101	PCMCIA	
ltr	ecr no	dr	date	title	
J	T03-0464	W	L	68 POS EJECTOR HEADER HSG	
K	N04-0092	W	B	HEADER ASSY	
L	N06-0110	M	Z	scale 2:1	
M	N08-0099	M	Z	dwg no	
dr				Mike Zhou	07/01/06
enr				Mike Zhou	07/01/06
chr				Qin David	07/01/06
ppd				Jack Wang	07/01/06
sheet	revision	M	M	M	M
index	sheet	1	2	3	4

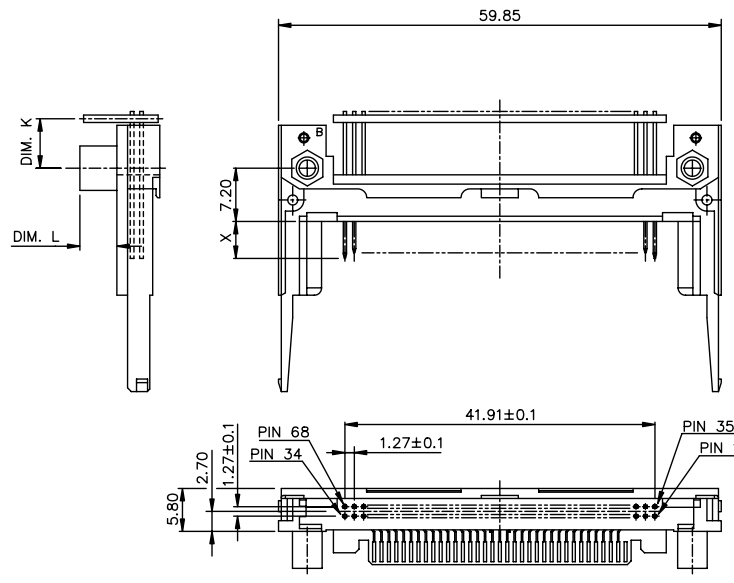
FCI
95548
CUSTOMER Drawing

FCI CONFIDENTIAL



This document is the property of and includes CONFIDENTIAL and PROPRIETARY information of FCI. No part of the information shown on this document may be used in any way or disclosed to others without the written consent of FCI. Copyright © FCI.

PRODUCT NO.	DIM "X"		
	95548-****	4.25±0.1	3.5±0.1
	OTHERS	36,67	1,17,34 35,51,68



95548-□□□	STAND-OFF	00 : 0.0 mm
		20 : 2.0 mm
		22 : 2.2 mm
		30 : 3.0 mm
		40 : 4.0 mm
		43 : 4.3 mm
		50 : 5.0 mm
	UPPER DECK	: 5
	LOWER DECK	: 0
	TOP MOUNT	: 0
	BOTTOM MOUNT	: 5

95548-5150	5	2.15
95548-5522	0	9.0
95548-5022	2.2	2.15
95548-5543	0	6.55
95548-5043	4.3	-0.3
95548-5550	0	6.55
95548-5050	5	-0.3
95548-5500	0	10.0
PRODUCT NO.	DIM.L	DIM.K±0.20

mat'l. code	surface	tolerance	projection	product family
	ISO 1302	ISO 406	ISO 101	PCMCIA
ltr	ecn	no	dr	date
M				
tolerances unless otherwise specified				title
angles	linear	±0.3	MM	68 POS EJECTOR HEADER HSG HEADER ASS'Y
±2°	scale			
dr	Mike Zhou	07/01/06		dwg no
enr	Mike Zhou	07/01/06		95548
chr	Qin David	07/01/06		sheet 2 of 4
appd	Jack Wang	07/01/06		A4
sheet index	revision sheet			type CUSTOMER Drawing

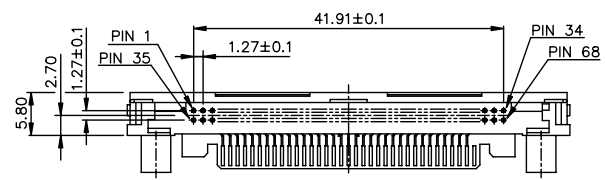
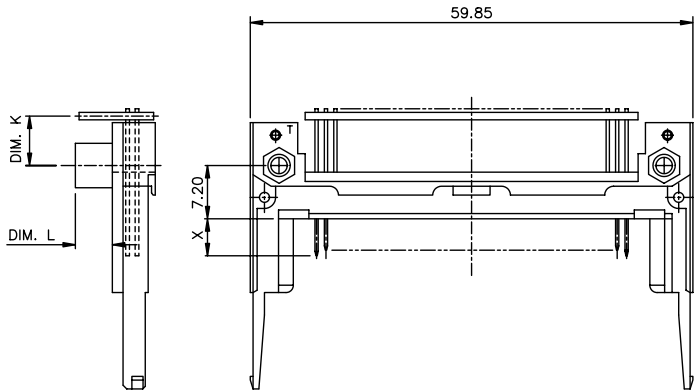
FCI CONFIDENTIAL



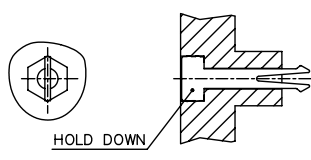
This document is the property of and includes CONFIDENTIAL and PROPRIETARY information of FCI. No part of the information shown on this document may be used in any way or disclosed to others without the written consent of FCI. Copyright © FCI.

PRODUCT NO.	DIM "X"		
95548-****LF	4.25±0.1	3.5±0.1	5.0±0.1
	OTHERS	36,67	1,17,34 35,51,68

- 95548-□□□□
- LEAD-FREE OPTION : LF
 - HOLD DOWN : H
 - STAND-OFF
 - 00 : 0.0 mm
 - 20 : 2.0 mm
 - 22 : 2.2 mm
 - 30 : 3.0 mm
 - 40 : 4.0 mm
 - 43 : 4.3 mm
 - 50 : 5.0 mm
 - UPPER DECK : 5
 - LOWER DECK : 0
 - LOWER DECK : 1
(FOR HOLLAND)
 - LOWER DECK : 2
(FOR KOREA)
 - TOP MOUNT : 0
 - BOTTOM MOUNT : 5



NOTE:
1. ADD "H" TO PART NUMBER FOR OPTIONAL HOLD DOWN (2 PER ASSEMBLY).



95548-0100MLF	0	2.15
95548-0000LF	0	-0.3
95548-0051LF	5	-0.3
95548-0050HLF	5	-0.3
95548-0222LF	2.2	2.15
95548-0150LF	5	-0.3
95548-0100LF	0	2.15
95548-0522LF	0	9.0
95548-0022LF	2.2	2.15
95548-0543LF	0	6.55
95548-0043LF	4.3	-0.3
95548-0550LF	0	6.55
95548-0050LF	5	-0.3
95548-0500LF	0	10.0

PRODUCT NO.	DIM.L	DIM.K±0.20
-------------	-------	------------

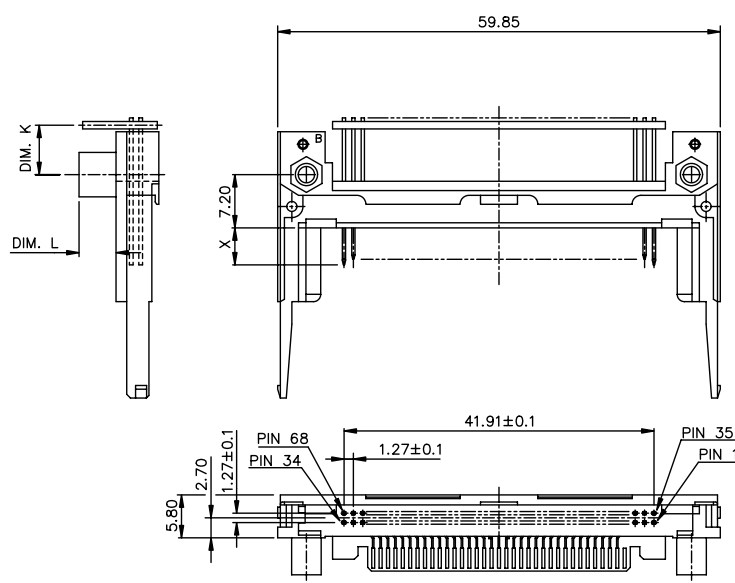
mat'l. code		surface	tolerance	projection	product family
ltr ecn no dr date		ISO 1302	ISO 406 ISO 101	101	PCMCIA
M		tolerances unless otherwise specified		MM	title
		angles	linear ±0.3	scale	68 POS EJECTOR HEADER HSG HEADER ASS'Y
		±2'			dwg no
		dr Mike Zhou 07/01'06			95548
		enr Mike Zhou 07/01'06			sheet 3 of 4 size
		chr Qin David 07/01'06			A4
		appd Jack Wang 07/01'06			type CUSTOMER Drawing
sheet index	revision sheet				

FCI CONFIDENTIAL

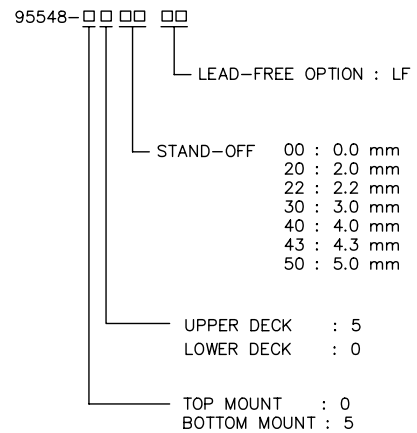
FCI

This document is the property of and includes CONFIDENTIAL and PROPRIETARY information of FCI. No part of the information shown on this document may be used in any way or disclosed to others without the written consent of FCI. Copyright © FCI.

PRODUCT NO.	DIM"X"		
	4.25±0.1	3.5±0.1	5.0±0.1
95548-****LF	OTHERS	36,67	1,17,34 35,51,68



Note:
 1. FINISH (PIN)
 UNDER PLATING : 0.5 µm MIN. Ni
 CONTACT AREA : 0.1 µm MIN. GOLD OVER
 0.5 µm MIN. Pd-Ni
 SOLDER TAIL:
 TIN LEAD PLATING: 2.5 µm MIN. Sn-Pb
 LEAD FREE PLATING: 2.5 µm MIN. PURE TIN
 2. IF LEAD FREE P/N. THE HOUSING WILL WITHSTAND
 EXPOSURE TO 260°C PEAK FOR 10 SECONDS IN
 A WAVE SOLDER APPLICATION WITH A 1.00MM
 MINIMUM THICK CIRCUIT BOARD
 3. IF LEAD FREE P/N. PACKAGING MEETS GS-14-920
 SPECIFICATION



95548-5150LF	5	2.15
95548-5522LF	0	9.0
95548-5022LF	2.2	2.15
95548-5543LF	0	6.55
95548-5043LF	4.3	-0.3
95548-5550LF	0	6.55
95548-5050LF	5	-0.3
95548-5500LF	0	10.0
PRODUCT NO.	DIM.L	DIM.K±0.20

mat'l. code	surface	tolerance	projection	product family
	ISO 1302	ISO 406	ISO 101	PCMCIA
ltr	ecn no	dr	date	title
M				68 POS EJECTOR HEADER HSG HEADER ASS'Y
				dwg no
				95548
				sheet 4 of 4 size
				A4
				type CUSTOMER Drawing
sheet index	revision sheet			