

PRODUCT NUMBER
95293-XXX-XXLF

WHEN REQUIRED, ADD SUFFIX LETTER "LF"
INDICATES THE PRODUCT IS RoHS
COMPATIBLE, SEE NOTE 6
TOTAL NB OF POSITIONS, 3 TO 17
PACKAGING TYPE, NOTE 3

PLATING

1=0.76µm GOLD/GXT ON CONTACT AREA
3.81µm TIN-LEAD ON TAIL

4=3.81µm TIN-LEAD ON CONTACT AREA
AND ON TAIL

8=0.38µm GOLD/GXT ON CONTACT AREA
3.81µm TIN-LEAD ON TAIL

WHEN "LF" IS REQUIRED, 2µm MIN
MATTE TIN OVER 1.27µm MIN NICKEL
INSTEAD OF TIN-LEAD

CATALOGUE RANGE	
PIN STYLE	MATING
01	5.84
02	8.08

APPLICATION SPECIFIC	
PIN STYLE	MATING
05	9.6

NOTES:

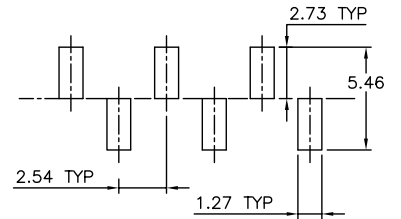
- 1 - HOUSING MAT'L : HIGH TEMPERATURE THERMOPLASTIC. UL94V-0 COLOR: BLACK
- 2 - PIN MATERIAL : PHOSPHOR BRONZE

- 3 - PACKAGING
- = POLY BAGS
B = TUBE + CAP
A = TAPE & REEL + CAP, SEE TAB40 FOR PRODUCT AVAILABILITY

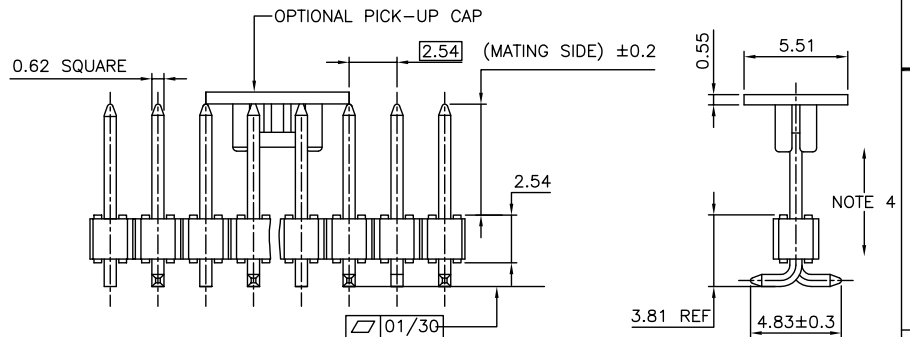
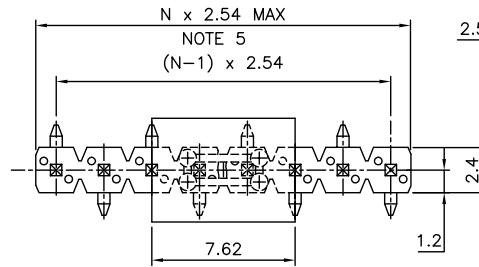
- 4 - 9N MIN RETENTION IN EITHER DIRECTION
- 5 - TO DETERMINE DIMENSIONS :
N = NUMBER OF POSITIONS
EXAMPLE : 8 POS N x 2.54 = 20.32mm

6. RoHS COMPATIBLE PRODUCT SPECIFICATIONS

- a - PLATING:
- "LF" MEANS THE PRODUCT IS LEAD-FREE,
2µm MINIMUM MATTE TIN OVER 1.27µm
MINIMUM NICKEL UNDERPLATE.
- b - MANUFACTURING PROCESS COMPATIBILITY
- THE HOUSING WILL WITHSTAND EXPOSURE TO
260°C PEAK TEMPERATURE FOR 30 SECONDES
IN A CONVECTION, INFRA-RED OR VAPOR
PHASE REFLOW OVEN.
- c - LABELING:
- MEETS PACKAGING SPECS AS PER GS-14-920
- d - LEGAL STATEMENT: SEE GS-22-008



RECOMMENDED PAD LAYOUT



mat'l. code		surface		tolerance		projection		product family	
SEE NOTES		ISO 1302		ISO 406 ISO 1101		mm		BERGSTIK	
lfr	ecn no dr date	tolerances unless otherwise specified		mm		title			
G	F00162 LMU 00.03.20	angles linear		x.x ±0.3		UNSHR.HEADER			
H	F10119 DLE 01.01.24	or #2		xxx ±0.13		SR SMT			
J	F20567 JCO 02.10.21			xxx ±0.05		scale 5:1			
K	F04-0362 JCO 04.12.10	dr		D.L.E 01.01.24		FCJ		dwg no sheet 1 of 1 size	
L	F06-0208 JCO 06.06.22	enfr		J.M.C 01.01.24				95293 A3	
M	F08-0148 RTR 08.03.31	chr		J.M.C 01.01.24				type CUSTOMER Drawing	
N	F10-0207 JCO 10.09.09	appd		J.F.N 01.01.24					
sheet index	revision sheet								

PDM: Rev:N

STATUS:Released

Printed: Sep 14, 2010