

943 Multimode Cable Assemblies

Amphenol is a premier manufacturer of Multimode patchcords in the telecommunications industry, meeting or exceeding many of the industry standard requirements for optical transmission loss, visual endface specifications, and geometry. Amphenol offers standard patch cords in a variety of configurations and connector types. Multimode assemblies are available in a variety of fiber types; 62.5/125, 50/125, 50/125 OM3, 50/125 OM4, and Bend reduced OM3/ OM4.



Features/Benefits

- Available in a wide variety of connector types, cable designs, and lengths
- All assemblies meet TIA/EIA and IEC intermateability standards
- Duplex assembly version utilizes a removable flexible clip providing a float between channels A and B
- RoHS compliant
- Multiple boot size, colors and angle options available
- Assemblies are available in OM1, OM2, OM3, and OM4 fiber types
- Custom configurations available upon request

Specifications

Insertion Loss: $\leq 0.35\text{dB}$ typical

Durability: $< 0.2\text{dB}$ change, 500mating cycles

Temperature: -20 to $+75^{\circ}\text{C}$

Intermateability:

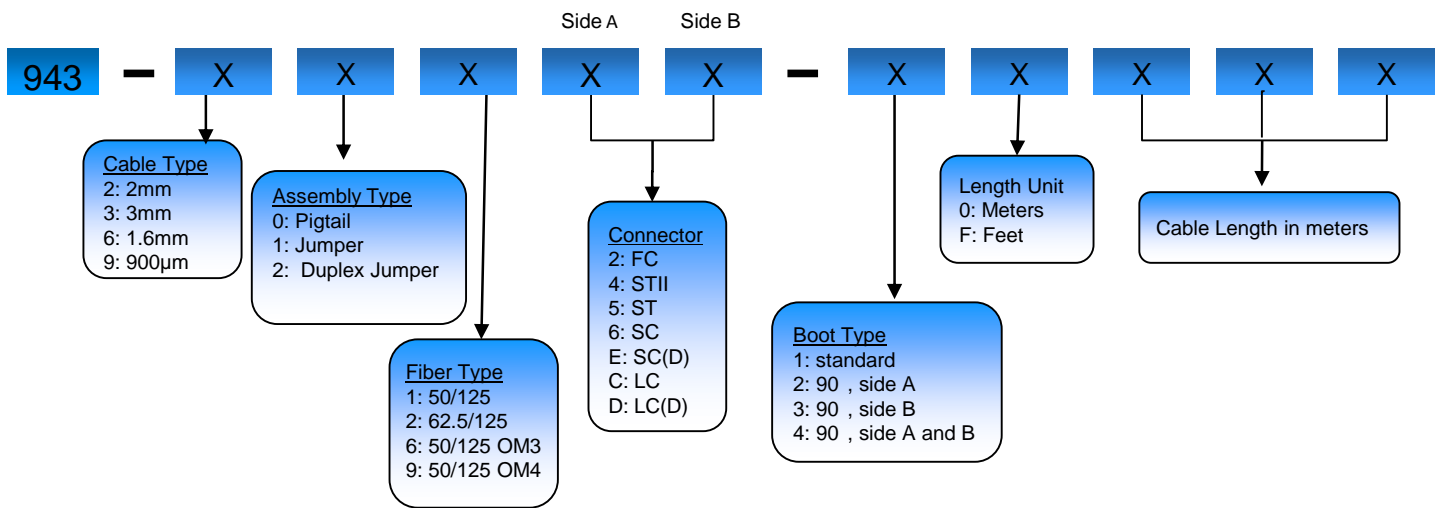
The Amphenol Multimode assemblies are mechanically and optically intermateable with industry standard connectors and adapters and conform to TIA/EIA, IEC, and Telcordia specifications.

Amphenol
FIBER OPTIC PRODUCTS

www.amphenol-fiberoptics.com
sales@amphenol-fiberoptics.com
Customer Service 800-944-6446

R1 04/11

Standard Multimode Assembly Ordering Information*



*Please contact Amphenol for custom configurations

Amphenol
FIBER OPTIC PRODUCTS

www.amphenol-fiberoptics.com
sales@amphenol-fiberoptics.com
 Customer Service 800-944-6446

R1 04/11