

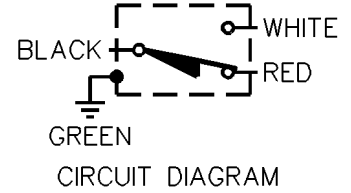
**MICRO SWITCH**  
a Honeywell Division

FED. MFG. CODE 91929

**MINIATURE PRECISION  
LIMIT SWITCH**

CATALOG LISTING

**914CE16-3N1**



914CE16-3N1

**M**

DRAWING NUMBER

ISSUE 1

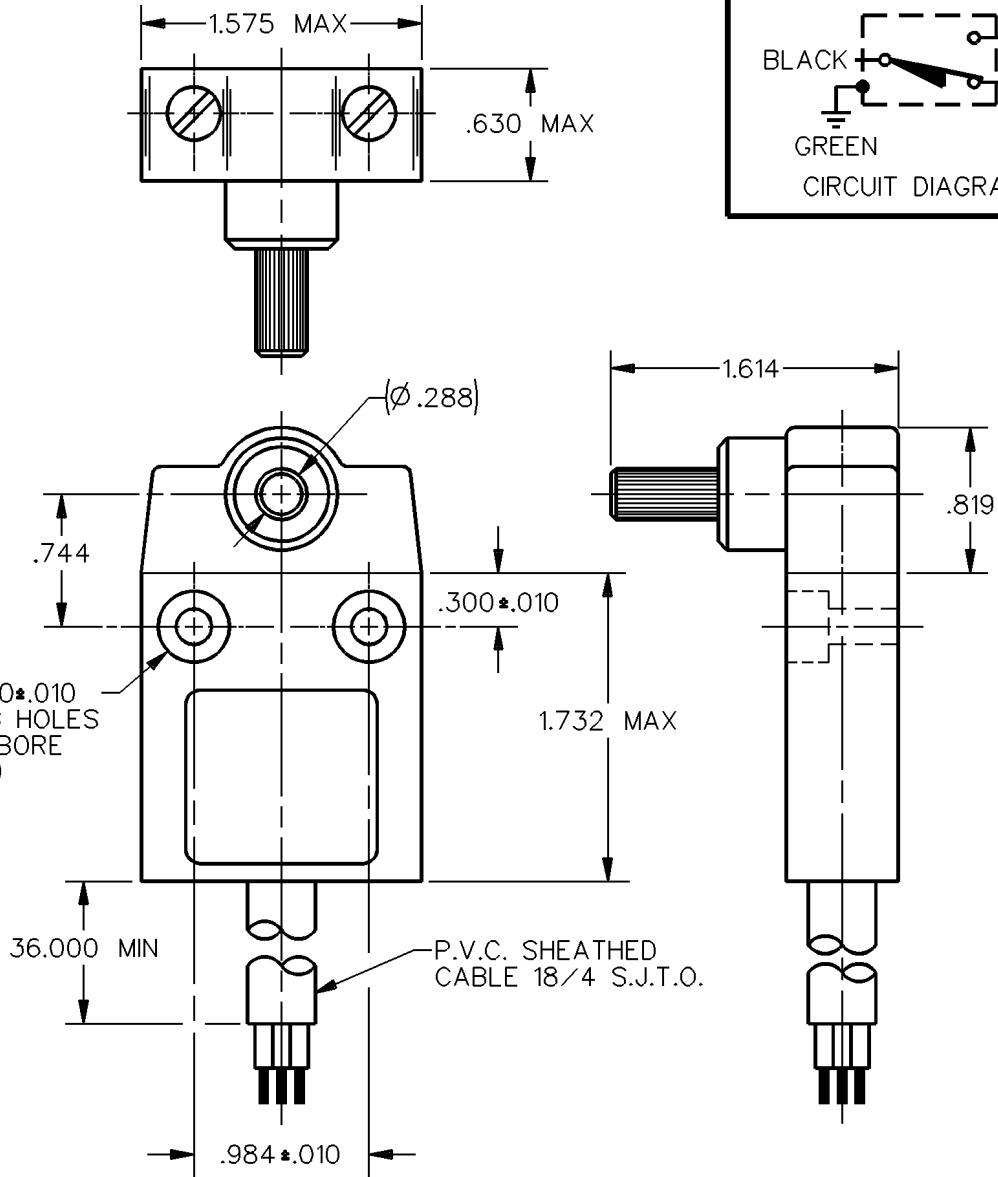
REPLACES

RELEASE NO. CO-69061

CHECK

REVISIONS

CHECK



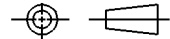
**NOTES**

- 1 - ZINC HOUSING FINISHED WITH GRAY PAINT
- 2 - SWITCH WILL ACTUATE IN BOTH DIRECTIONS

ANSI Y14.5M-1982 APPLIES

THIS DRAWING COVERS A PROPRIETARY ITEM AND IS THE PROPERTY OF MICRO SWITCH, A DIVISION OF HONEYWELL. THIS DRAWING IS NOT TO BE COPIED OR USED WITHOUT THE APPROVAL OF MICRO SWITCH.

THIRD ANGLE PROJECTION



**CHARACTERISTICS**

OPERATING FORCE --- 3.5 IN. LB MAX  
RELEASE FORCE --- 6 IN. OZ MIN  
PRETRAVEL --- 45° MAX  
DIFFERENTIAL TRAVEL --- 3° MAX  
OVERTRAVEL --- 25° MIN

**ELECTRICAL DATA**

CONTACT ARRANGEMENT  
S P D T

5A 1/10HP - 125 OR 250 VAC



**SCALE FULL**

DO NOT SCALE PRINT

**UNLESS OTHERWISE SPECIFIED TOLERANCES ARE**

ONE PLACE (.0) ±.030  
TWO PLACE (.00) ±.015  
THREE PLACE (.000) ±.005

ANGLES ±

WEIGHT

DDM/CAD

DRAWN

S A V 10 OCT 91 CHECK