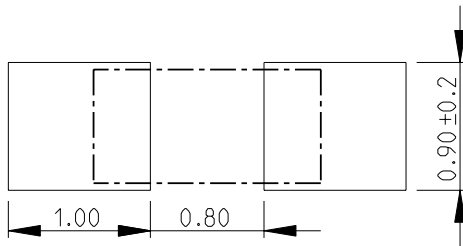
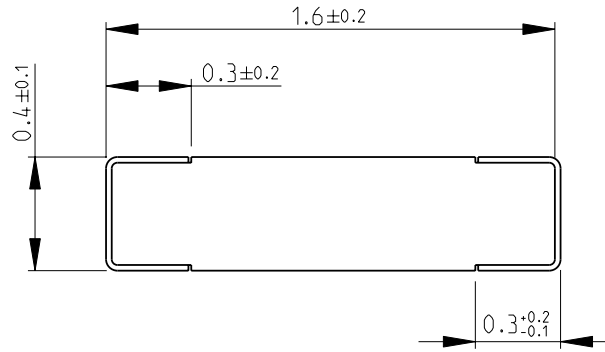
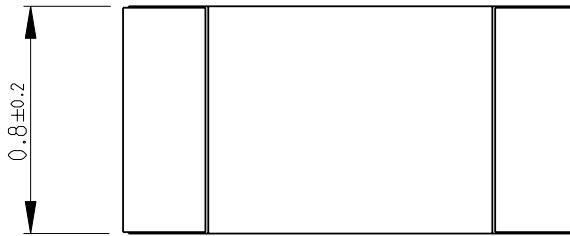


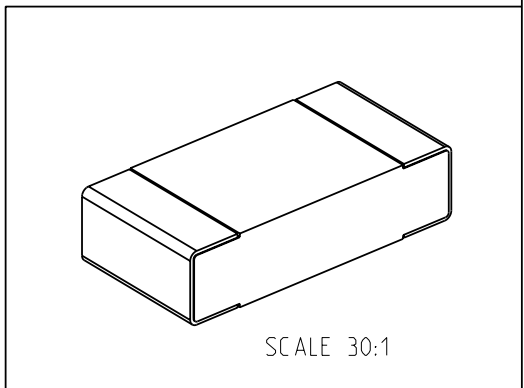
LOC	DIST	REVISIONS				
P	LTR	DESCRIPTION	DATE	DWN	APVD	
E	B	BA	NEW RELEASE	05-FEB-10	MRS	St.P

FOR FURTHER INFORMATION SEE DATA SHEET FOR  
RN73 SERIES-HIGH PRECISION RESISTORS (SMD)



RECOMMENDED LAND PATTERN

RoHS Compliant



SCALE 30:1

THIS DRAWING IS UNPUBLISHED.  
 RELEASED FOR PUBLICATION 2010  
 BY TYCO ELECTRONICS CORPORATION. ALL RIGHTS RESERVED.  
 COPYRIGHT 2010

DIMENSIONS: mm	DWN	MAHARUDRA	05-FEB-10	MATERIAL	-	FINISH	-		
	CHK	ALLAN.P	05-FEB-10	Tyco Electronics Corporation Dorcan, Swindon, SN3 5HH					
TOLERANCES UNLESS OTHERWISE SPECIFIED:  0 PLC ±0.2 1 PLC ±0.1 2 PLC ±- 3 PLC ±- 4 PLC ±- ANGLES ±5°	APVD	STEPHEN.P	05-FEB-10					NAME	HIGH PRECISION RESISTORS (SMD) SERIES RN73 1J
	PRODUCT SPEC	-	APPLICATION SPEC	-	SIZE	CAGE CODE	DRAWING NO	RESTRICTED TO	
	WEIGHT	-	-	A 4	00779	©= 1614353	-		
CUSTOMER DRAWING				SCALE	40:1	SHEET	1 OF 1	REV	BA