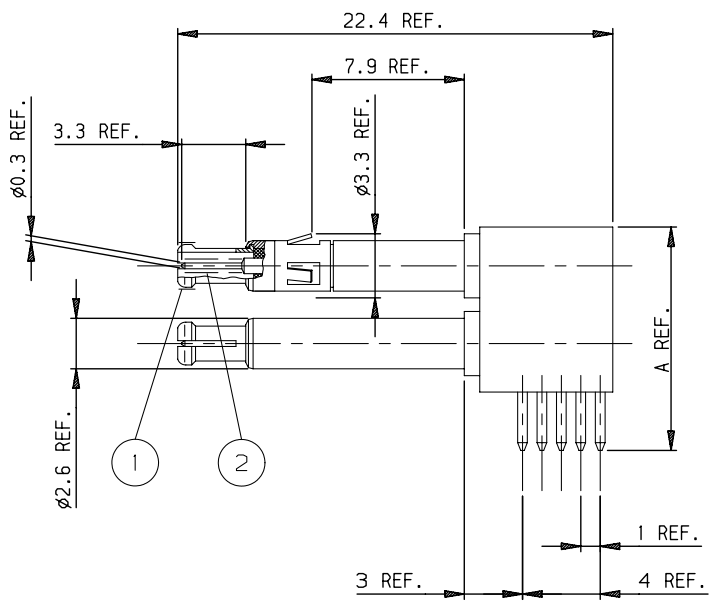
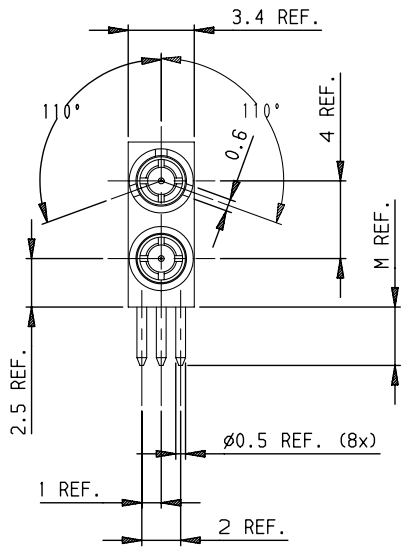


LEAD-FREE P/N	DIM "M"	DIM "A"	P.C.B. Thk.
88983-001LF	2.80	11.30	1.6mm
88983-002LF	3.80	12.70	2.4mm
88983-003LF	2.20	10.70	1.6mm



NOTE:

- 1) For p.c. board layout see customer
- 2) PACKAGING SPEC: SEE GS-14-920

1.27u Min. Au.
Positions 1&2
Plating on contact area

rev	ecm no	dr	date
H	LS08-0022	LGO	06/03/06
J	LS08-0057	LGO	2008/02/18
-	-	-	-
-	-	-	-
-	-	-	-
-	-	-	-

www.fciconnect.com		surface ISO 1302	tolerance std ISO 406 ISO 1101	projection mm
TOLERANCES UNLESS OTHERWISE SPECIFIED				
Dr	Hendrickse	97/11/12	ANGULAR	0.X ±0.1
Eng	-	-	LINEAR	0.XX ±0.1
Chr	P. Schaik	92/04/24	0.XX ±2°	0.XXX ±0.1
Appr	D. Andrews	92/04/24	Product family	METRAL
Title RA HDR CONT			size A3	Scale 5:1
50ohm MINI COAX			ECN LS08-0057	Spec ref -
catalog no			pkg no 88983	Rev. J
CUSTOMER			sheet 1 of 1	

European Views

REV F - 2006-04-17

3 PDM: Rev:J STATUS:Released Printed: Sep 28, 2009

Copyright FCI.