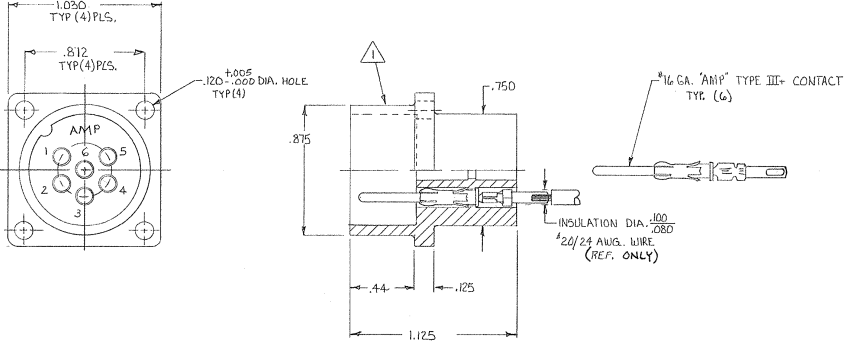


DRAWING MADE IN THIRD ANGLE PROJECTION

THIS DRAWING IS UNPUBLISHED. RELEASED FOR PUBLICATION . 19
 © COPYRIGHT 19 BY AMP INCORPORATED, HARRISBURG, PA. ALL INTERNATIONAL RIGHTS RESERVED. AMP PRODUCTS MAY BE COVERED BY U.S. AND FOREIGN PATENTS AND/OR PATENTS PENDING.

REVISIONS						
P	F	ZONE	LTR	DESCRIPTION	DATE	APPROVED
		0		RELEASED WAS SK-01955A	10/1/71	WJL
		A		REV. CONTACT ECU 9512	7/28/72	MJ
		B		REV PER OH14-0192-05	1-06	PY



△ HOUSING IS NOT PROVIDED WITH THREADED FRONT SKIRT
 2. KIT CONSIST OF ONE (1) RECEPTACLE & 6 PIN CONTACTS.

TIN PER ASTM-B-545	5-867298-1
93 7 TIN-LEAD	867298-1
CONTACT FINISH	PART NO

UNLESS OTHERWISE SPECIFIED DIMENSIONS ARE IN INCHES. TOLERANCES ON: DECIMALS ±.03 ANGLES ±.015	CONTRACT NO	AMP INCORPORATED Harrisburg, Pa. 17105		
	DR CHK	NAME		
	MATERIAL VALOX 420-SED	APPD CHK	6 POSITION RECEPTACLE KIT (WK6-32S CONFIGURATION)	
	FINISH BLACK	APPD	SIZE C	FSCM NO 00779
	DSGN APPD	DRAWING NO	867298	
	OTHER APPD	SCALE	SHEET 1/61	

CUSTOMER DRAWING