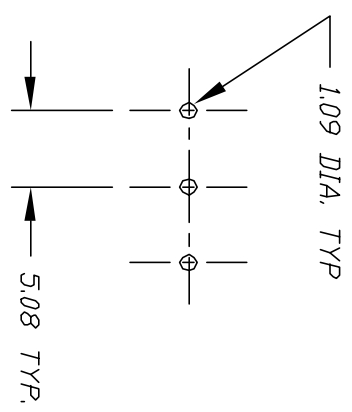
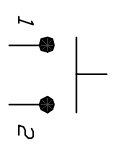
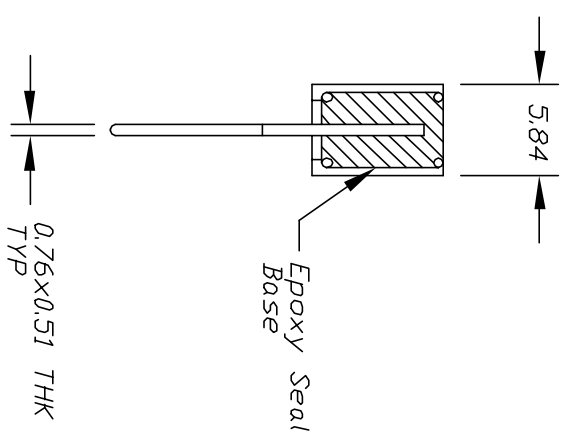
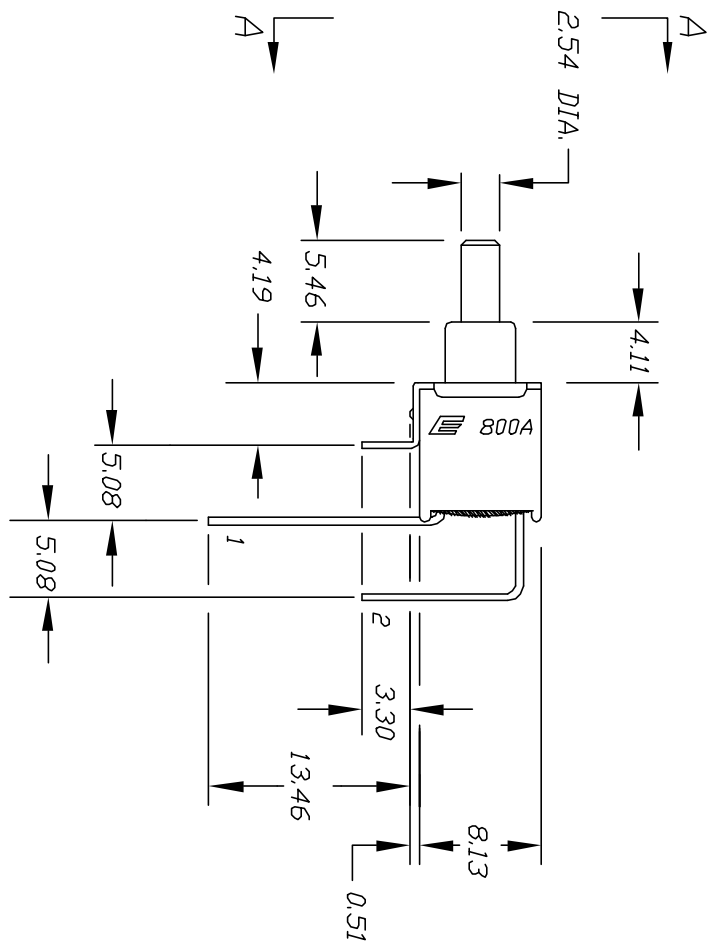


VIEW A-A



RECOMMEND P.C.B. LAYOUT



CIRCUIT: SPST

CONTACT CONFIGURATION

OFF ON

()=Momentary

NOTES:

1. ALL DIMENSIONS IN MM
2. TERM. NOS. FOR REF ONLY
3. RATING: 1A @120VAC or 28VDC.

TOLERANCES		TITLE		SCALE	DATE	DR	DWG	REV
0.0	±0.4	800A WSP-9 M7 Q E		2:1	6/3/97	MM	T833014	A
0.00	±0.25	E-SWITCH®						
REV.	RELEASED & REDRAWN	DATE	CHKD	DESCRIPTION				
A				THE INFORMATION CONTAINED IN THIS DOCUMENT IS PROPRIETARY TO E-SWITCH AND IS NOT TO BE COPIED OR TRANSMITTED				