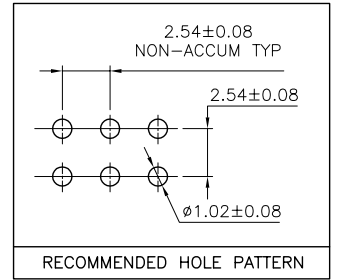
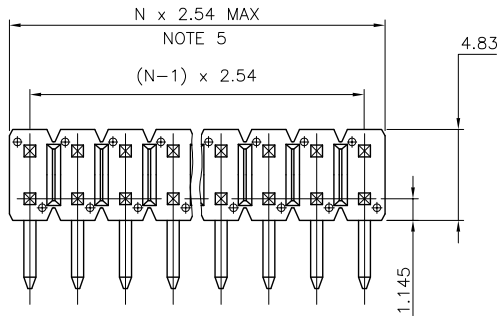


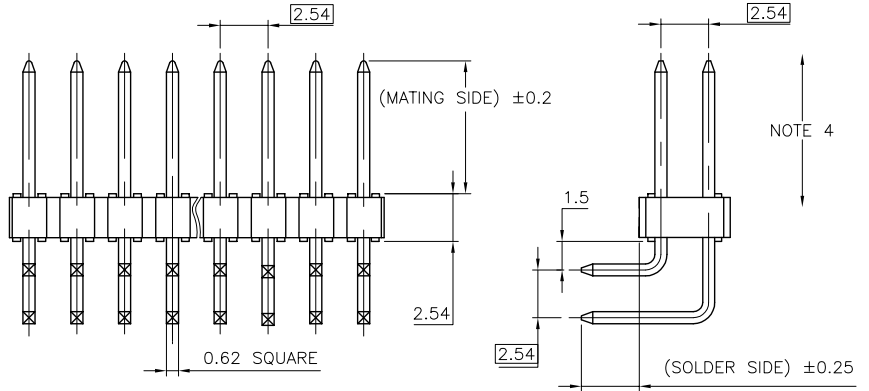
PRODUCT NUMBER
77317-YXX-XXLF

- WHEN REQUIRED, ADD SUFFIX LETTER "LF" INDICATES THE PRODUCT IS RoHS COMPATIBLE, SEE NOTE 7
- TOTAL NB OF POSITIONS 04 TO 72
- PIN STYLE SEE SHEET 2
- PLATING SEE SHEET 2



NOTES:

1. HOUSING MAT'L : HIGH TEMPERATURE THERMOPLASTIC. UL94V-0 COLOR: BLACK
2. PIN MATERIAL : PHOSPHOR BRONZE
3. PRODUCT PACKAGED IN POLY BAGS.
4. 9N MIN RETENTION IN EITHER DIRECTION
5. TO DETERMINE DIMENSIONS :
N = NUMBER OF POSITIONS PER ROW
EXAMPLE : 8 POS N x 2.54 = 20.32mm
6. UNDERPLATING : 1.27µm Ni MIN
7. RoHS COMPATIBLE PRODUCT SPECIFICATIONS
 - a - PLATING:
- "LF" MEANS THE PRODUCT IS LEAD-FREE, 2µm MINIMUM MATTE TIN OVER 1.27µm MINIMUM NICKEL UNDERPLATE.
 - b - MANUFACTURING PROCESS COMPATIBILITY
- THE HOUSING WILL WITHSTAND EXPOSURE TO 260°C ±5°C SOLDER BATH TEMPERATURE FOR 5 SECONDS IN A WAVE SOLDER APPLICATION WITH A 1.6mm MIN THICK CIRCUIT BOARD.
 - c - LABELING:
- MEETS PACKAGING SPECS AS PER GS-14-920
 - d - LEGAL STATEMENT: SEE GS-22-008



mat'l. code		surface		tolerance		projection		product family	
SEE NOTES		ISO 1302		ISO 406 ISO 1101		⊕		BERGSTIK	
Ltr	ecm no	dr	date	tolerances unless otherwise specified		mm		title	
AA	F04-0167	JCO	04.04.05	angles	linear	.X ±0.3		UNSHR.HEADER	
AB	F04-0362	LMU	04.11.29			.XX ±0.15		RA DR TMT	
AC	F06-0207	LMU	06.07.27			.XXX ±0.05		scale 5:1	
AD	F06-0263	LMU	06.10.27	dr	D.I.E	01.01.24		dwg no	
AE	F08-0148	RTR	08.03.31	engr	J.M.C	01.01.24		sheet 1 of 2	
AF	F09-0212	LMU	09.11.03	chr	J.M.C	01.01.24		77317	
				appd	J.F.N	01.01.24		A3	
sheet index		revision sheet		AF	AD			type	
				1	2			CUSTOMER Drawing	



FCJconnect.com

Copyright FCJ

CATALOGUE RANGE

PLATING	PIN STYLE	MATING	SOLDER
1/4/8	03	5.84	2.54
1/4/8	04	5.84	3.05
1/4/8	12	6.8	3.05

PLATING

- 1 = 0.76µm GOLD/GXT ON CONTACT AREA
3.81µm TIN-LEAD ON TAIL
- 4 = 3.81µm TIN-LEAD ON CONTACT AREA
AND ON TAIL
- 8 = 0.38µm GOLD/GXT ON CONTACT AREA
3.81µm TIN-LEAD ON TAIL
- WHEN "LF" IS REQUIRED, 2µm MATTE
TIN OVER 1.27µm MIN NICKEL IS
PROVIDED INSTEAD OF TIN-LEAD

APPLICATION SPECIFIC

PLATING	PIN STYLE	MATING	SOLDER
1/4/8	01	5.72	2.57
1/4/8	14	10	2.7
1/4/8	15	7	16.4
1/4/8	16	7.8	13.5
1/4/8	17	7.48	1.6
1/4/8	18	8.80	2.90
1/4/8	19	2.60	2.60

PLATING

- 1 = 0.76µm GOLD/GXT ON CONTACT AREA
3.81µm TIN-LEAD ON TAIL
- 4 = 3.81µm TIN-LEAD ON CONTACT AREA
AND ON TAIL
- 8 = 0.38µm GOLD/GXT ON CONTACT AREA
3.81µm TIN-LEAD ON TAIL
- WHEN "LF" IS REQUIRED, 2µm MATTE
TIN OVER 1.27µm MIN NICKEL IS
PROVIDED INSTEAD OF TIN-LEAD

mat'l. code				surface	tolerance	projection	product family
SEE NOTES				ISO 1302	ISO 406 ISO 1101		BERGSTIK
Ltr	ecm no	dr	date	tolerances unless otherwise specified			title
X	F04-0362	LMU	04.11.29	angles	linear		
AA	F06-0207	LMU	06.07.27			.XX ±0.15	UNSHR.HEADER RA DR TMT
AB	F06-0263	LMU	06.10.27			.XXX ±0.05	
AC	F08-0148	RTR	08.03.31	dr	D.I.E	01.01.24	FCJ
AD	F09-0212	LMU	09.11.03	engr	J.M.C	01.01.24	
				chr	J.M.C	01.01.24	dwg no
				app	J.F.N	01.01.24	
sheet	revision						sheet 2 of
index	sheet						size
							A3
							type
							CUSTOMER Drawing

PDM: Rev:AF

STATUS:Released

Printed: Nov 14, 2009